
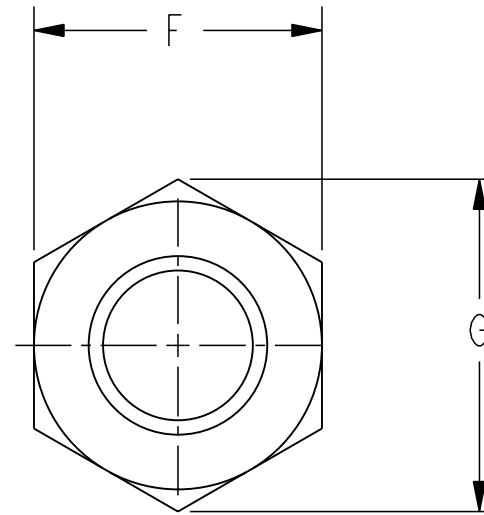
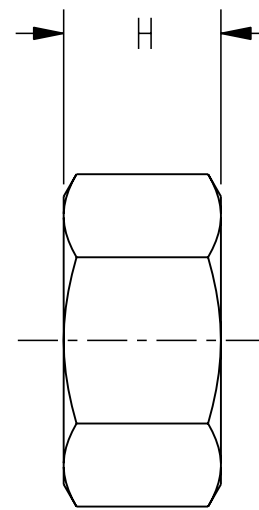


| REV. | DATE                  | DESCRIPTION                       | ECO   | BY | C'H'K. |
|------|-----------------------|-----------------------------------|-------|----|--------|
| A    | 3/20/2006 12:00:00 AM | REDRAWN IN PROE<br>FORMAT UPDATED | 12231 | JG | BM     |

| CATALOG NO. | NOMINAL SIZE |         | THREADS PER INCH  | F ACROSS FLATS | G ACROSS CORNERS | H THICKNESS  |
|-------------|--------------|---------|--|----------------|------------------|--------------|
|             | FRACT.       | DECIMAL |  |                |                  |              |
| 25CHENBOX   | 1/4          | .250    | 20   | .438<br>.428   | .505<br>.488     | .226<br>.212 |
| 31CHENBOX   | 5/16         | .312    | 18   | .500<br>.489   | .577<br>.557     | .273<br>.258 |
| 38CHENBOX   | 3/8          | .375    | 16   | .562<br>.551   | .650<br>.628     | .337<br>.320 |
| 44CHENBOX   | 7/16         | .438    | 14   | .688<br>.675   | .794<br>.768     | .385<br>.365 |
| 50CHENBOX   | 1/2          | .500    | 13   | .750<br>.736   | .866<br>.840     | .448<br>.427 |
| 62CHENBOX   | 5/8          | .625    | 11   | .938<br>.922   | 1.083<br>1.051   | .559<br>.535 |



REFERENCE: H202, DA39037

NOTES:

1. MATERIAL: SILICON BRONZE

2. ALL THREADS ARE OF THE UNIFIED NATIONAL COARSE THREAD SERIES - CLASS 2B.

TO ORDER BURNDY® PRODUCTS CALL  
 UNITED STATES:  
 1-800-346-4175 (LONDONDERRY, NH)  
 CANADA:  
 1-800-361-6975 (QUEBEC)  
 1-800-387-6487 (ALL OTHER PROVINCES)  
 FOR PRODUCT INFO: <http://www.burndy.com>

| NUT, SILICON BRONZE |                   |
|---------------------|-------------------|
| ITEM NO:            | N/A               |
| CAT. NO:            | --CHENBOX (TABLE) |
| DRAWN BY:           | JEL 12/03/90      |
| CHECKER:            | KLH 12/07/90      |
| DSN APPVL:          | MAL 12/11/90      |
| MFG APPVL:          | --                |
| QA APPVL:           | A.L. 12/11/90     |
| MKT APPVL:          | --                |
| PROD FAM:           | --                |
| PROJECT #:          | --                |
| DOCUMENT TYPE:      | --                |
| REL LEVEL:          | Released          |

|              |              |
|--------------|--------------|
| SCALE:       | NTS          |
| DRAWING NO:  | WSC206494-01 |
| REV:         | A            |
| SIZE:        | B            |
| SHEET 1 OF 1 |              |

REV: PE0200