



Commercial, Industrial  
and Residential Electrical Products

# LED SWIVEL JOINT SPIKELIGHT

**SPLLED500Z** This portable rugged metal LED spike light is a decorative and energy efficient green alternative to incandescent lighting. The unique swivel joint knuckle allows for easy and precise positioning. Perfect for a variety of uses including landscape accent lighting, architectural lighting, seasonal lighting, portable work lighting and many other outdoor wet location uses.



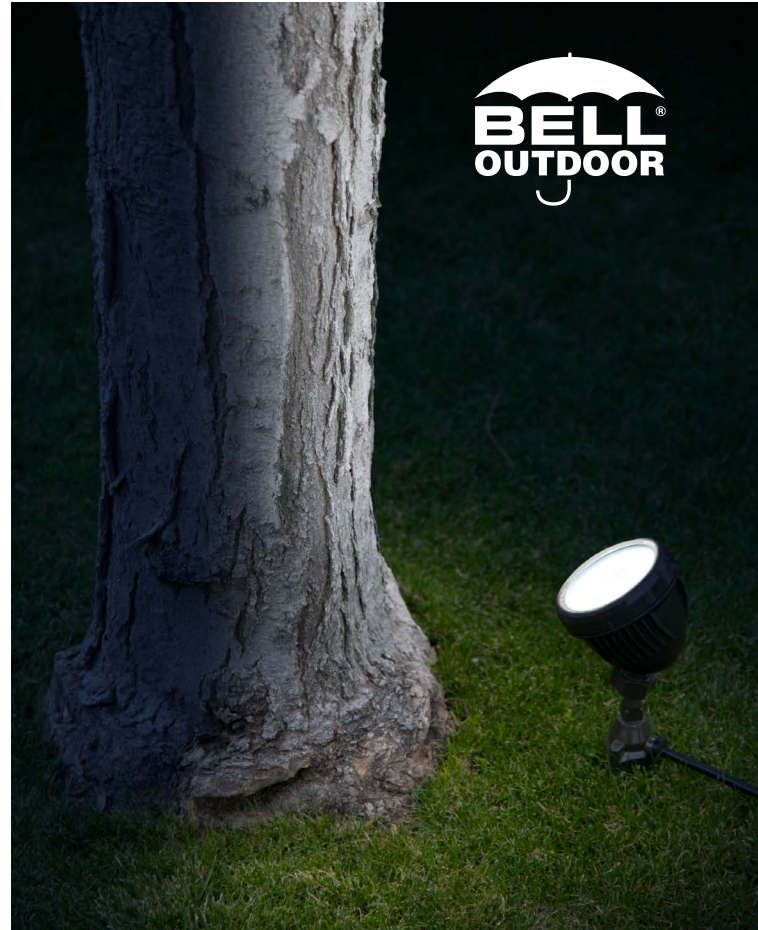
**LED**  
540 Lumens  
Brightness

9 Watts

50,000  
Hours Life

Patented  
Multi-Directional  
Swivel Joint

120V 60Hz



SPLLED500Z

*architectural lighting*



*seasonal*



*portable work*



*landscape...*

- Patented multi-directional swivel joint
- Commercial Grade
- Die Cast Metal
- Premium Powder Coat
- Long Life: 50,000 hours
- No mercury or toxins
- Even light distribution
- Reduces energy cost\*
- 2014 NEC & NEMA 3R Compliant

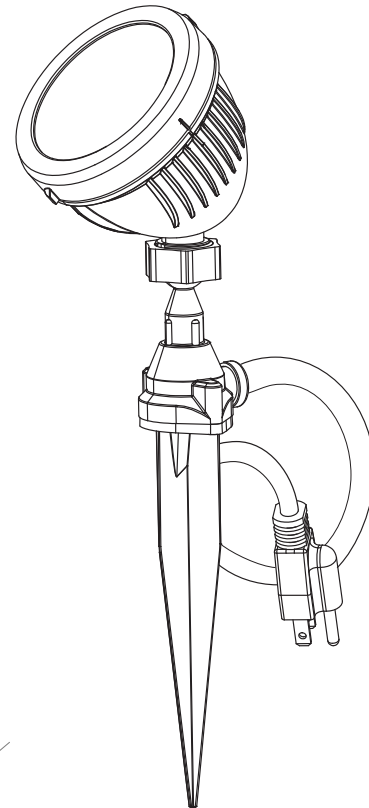
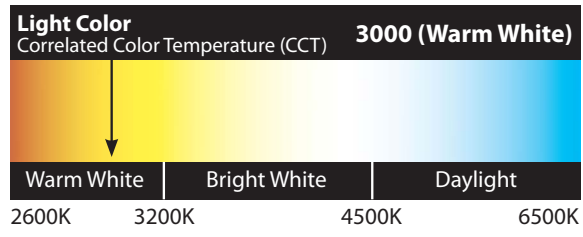


# LED SWIVEL JOINT SPIKELIGHT

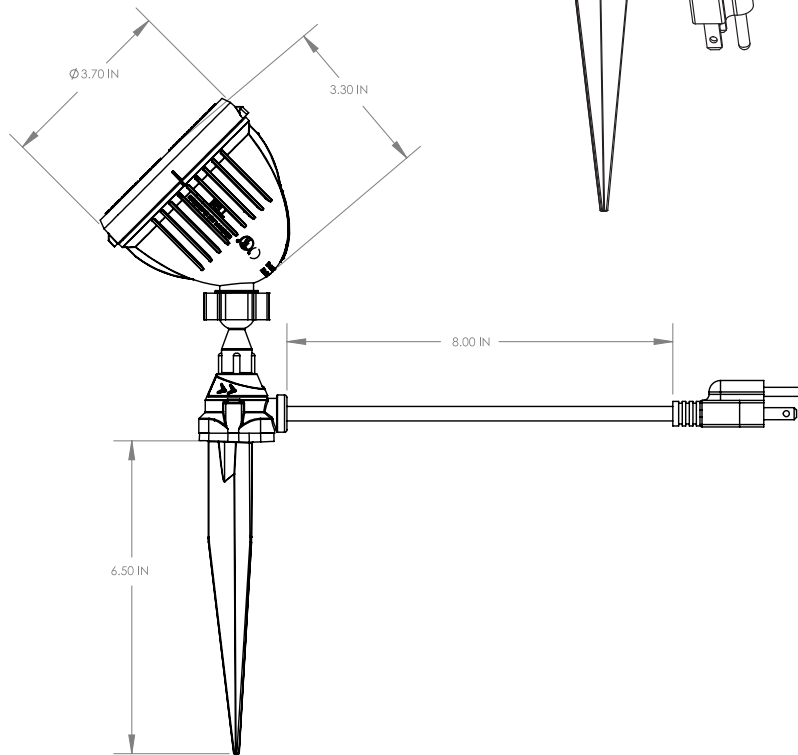
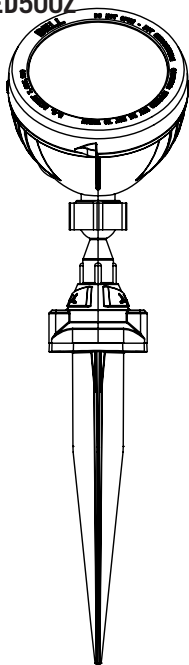
## Light Facts

LED Product

<b>Light Output (Lumens)</b>	<b>540</b>
<b>Watts</b>	<b>8.7</b>
<b>Lumens per Watt (Efficacy)</b>	<b>62</b>
<b>Color Accuracy</b>	<b>80</b>
Color Rendering Index (CRI)	



SPLED500Z



CATALOG #	DESCRIPTION	COLOR	PKG. TYPE	STD. PKG.	UPC	1 of 5
SPLED500Z	9W / 540 Lumen Warm White	Bronze	Box	4	050169917589	50050169917584



**COMMERCIAL CONSTRUCTION**  
A Division of Hubbell Incorporated (Delaware)

BELL  
2520 E. University Dr.  
Tempe, AZ 85281  
800-526-5416  
[www.hubbell.com/bell/en](http://www.hubbell.com/bell/en)

