

Shear Bolt Mechanical Connectors One-Hole, Two-Hole Lugs; Splices

TYPE K-SB Mechanical Shear Bolt Connectors

Copper and Aluminum

The K-SB Shear Bolt connector family allows for terminating or splicing of aluminum or copper conductor without the need of a torque wrench or compression tools and dies. The connectors are designed with shear bolts to break off at the correct torque using a 3/8" hex key. Range taking options available in most sizes to keep the number of SKUs low. From 2/0 AWG up to 1250 kcmil we have you covered with one and two hole terminals as well as splices.

Features & Benefits

- Dual Rated AL9CU for both copper and aluminum conductor
- cULus Listed Wire Connector to UL486A-486B
- Up to 35kV voltage rating
- Easy installation with shear bolt technology, no crimp tools necessary
- 3/8" Hex Key for all sizes
- Tin Plated aluminum connectors and screws
- Range-taking on most sizes

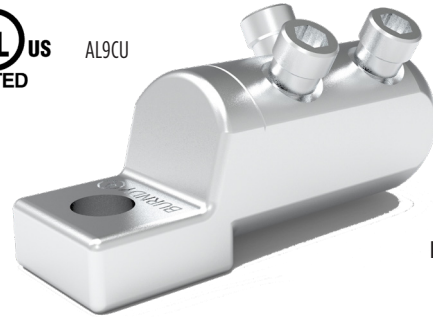


Fig. 1 (One-Hole Lug)

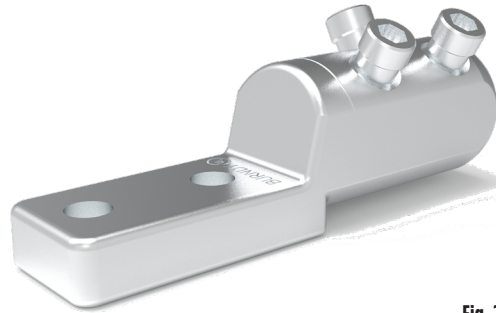


Fig. 2 (Two-Hole Lug)

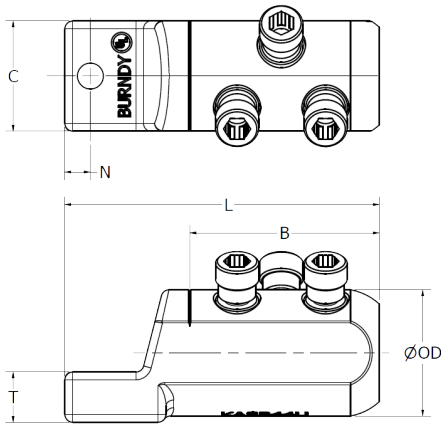


Fig. 1 (One-Hole Lug)

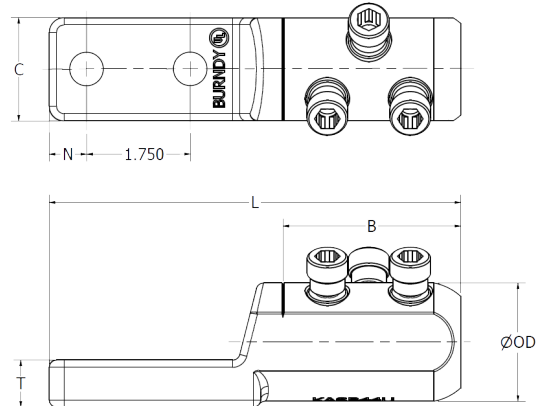


Fig. 2 (Two-Hole Lug)



Fig. 3 (Splice)

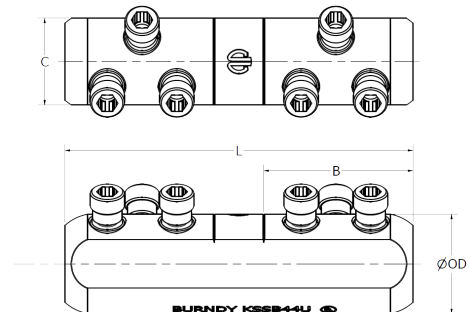


Fig. 3 (Splice)

Shear Bolt Mechanical Connectors One-Hole, Two-Hole Lugs; Splices

TYPE KS-B (Continued)

Catalog Number	Conductor Range Concentric/Compact	Stud Hole	Dimensions							# Shear Bolts	Socket Head Size
			Stud Size	Stud Spacing	Tongue Width	OD	B	L	N		
One-Hole Lug											
KASB28U12	2/0 - 4/0 AWG	1	1/2"	—	1.10	1.25	1.95	4.10	0.63	2	3/8"
KASB31U12	250 - 350 kcmil	1	1/2"	—	1.22	1.50	1.95	4.15	0.63	2	3/8"
KASB34U12	350 - 500 kcmil	1	1/2"	—	1.46	1.75	3.00	5.19	0.63	2	3/8"
KASB39U12	600 - 750 kcmil	1	1/2"	—	1.67	1.90	3.00	5.19	0.63	3	3/8"
KASB44U12	1000 kcmil	1	1/2"	—	1.75	2.01	3.00	5.19	0.63	3	3/8"
KASB45U12	1250 kcmil	1	1/2"	—	2.00	2.26	3.00	5.20	0.63	3	3/8"
Two-Hole Lug											
KASB28U2N	2/0 - 4/0 AWG	2	1/2"	1.75	1.10	1.25	1.95	5.85	0.63	2	3/8"
KASB31U2N	250 - 350 kcmil	2	1/2"	1.75	1.22	1.50	1.95	5.90	0.63	2	3/8"
KASB34U2N	350 - 500 kcmil	2	1/2"	1.75	1.46	1.75	3.00	6.95	0.63	2	3/8"
KASB39U2N	600 - 750 kcmil	2	1/2"	1.75	1.67	1.90	3.00	6.95	0.63	3	3/8"
KASB44U2N	1000 kcmil	2	1/2"	1.75	1.75	2.01	3.00	6.95	0.63	3	3/8"
KASB45U2N	1250 kcmil	2	1/2"	1.75	2.00	2.26	3.00	6.95	0.63	3	3/8"
Splice											
KSSB28U	2/0 - 4/0 AWG	—	—	—	—	1.25	1.95	4.50	—	4	3/8"
KSSB31U	250 - 350 kcmil	—	—	—	—	1.50	1.95	5.00	—	4	3/8"
KSSB34U	350 - 500 kcmil	—	—	—	—	1.75	3.00	7.00	—	4	3/8"
KSSB39U	600 - 750 kcmil	—	—	—	—	1.90	3.00	7.00	—	6	3/8"
KSSB44U	1000 kcmil	—	—	—	—	2.01	3.00	7.00	—	6	3/8"
KSSB45U	1250 kcmil	—	—	—	—	2.26	3.00	7.25	—	6	3/8"

Additional Stud Hole sizes available, please contact Customer Service.