

Rough-in[®] Ready

PREFABRICATED WIRING SYSTEMS BUILT FOR ELECTRICIANS BY ELECTRICIANS

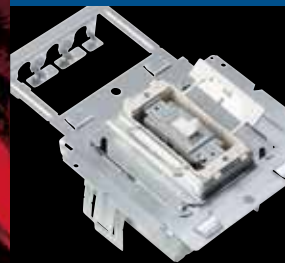
- Complete Projects Faster
- Reduce Job Costs
- Ensure Quality
- Reduce Jobsite Packaging & Waste

Rough-in Ready[®] is a pre-engineered and preassembled UL Listed electrical wiring system with custom-made components for branch circuit installations of virtually any size.

COMPLETE SYSTEM



CABLE-READY



RACEWAY-READY



PREFAB



BRACKETS



SECURE-TRIM[®]



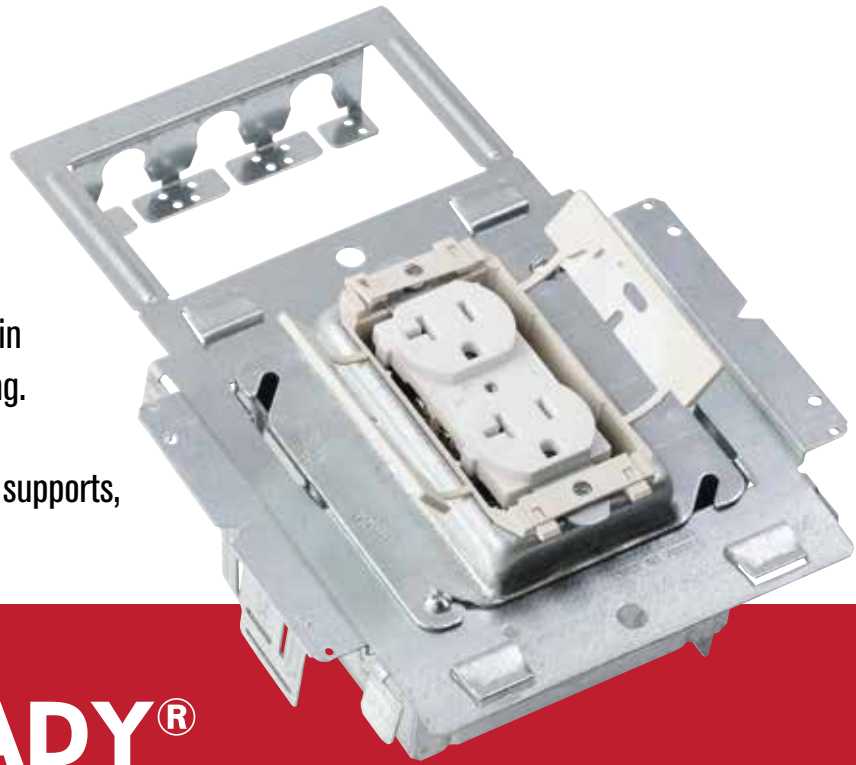
RACO[®]
A Division of Hubbell Incorporated (Delaware)



Rough-in Ready® develops and manufactures cost-saving electrical support products for building and construction projects that require repetitive electrical wiring installation. Our wide selection of products is ideal for electrical projects such as condominiums, hotels, motels, health care facilities, hospitals, rest homes, and dormitories. Rough-in Ready® is NEC compliant and UL listed.

ROUGH-IN READY® PRODUCTS INCLUDE:

- **Complete Rough-in Ready® Systems** designed specifically to your plans and ready to install.
- **Cable-Ready Systems** – similar to Rough-in Ready's Complete System but without cabling.
- **Custom PreFab Assemblies.**
- **PreFab Components:** stud brackets, cable supports, and deck hangers.



the **ROUGH-IN READY® PREFAB WAY**

**Complete the Job Faster & Smarter
3 Simple Steps & You're Done**

- 1 MOUNT THE ASSEMBLY IN THE PROPER LOCATION.**
- 2 ROUTE CABLE PER INSTALLATION DRAWINGS.**
- 3 MAKE THE ASSEMBLY'S FINAL CONNECTIONS.**



COMPLETE YOUR JOB MORE EFFICIENTLY

REDUCED CONSTRUCTION SCHEDULE MEANS:

- Earlier building usage
- Product can be prefabricated even during project hold-ups due to weather, delays by other trades, etc.
- Reduced construction schedule equates to reduced onsite liability
- Minimizes onsite safety hazards caused by scrap wire and cable
- Reduces jobsite cleanup
- Forces planning and coordination

ENSURE QUALITY CONTROL

- Produced under strict quality control program
- All prefabrication performed in a controlled environment utilizing state-of-the-art equipment
- Uniform, consistent, finished product

LOCAL INSPECTORS' ACCEPTANCE

- Rough-in Ready[®] has been well received by local inspection agencies throughout the country
- All work is performed in strict compliance of the NEC
- Inspectors recognize the quality of workmanship and the uniformity of finished product

OUR STREAMLINED ORDER PROCESS

Send your specs for a quote: Architectural & Electrical Drawings are used to determine scope of work in conjunction with specifications for the specific project. Forward your drawings to us and we will work up the entire project in accurately measured runs and components. Detailed drawings will clearly indicate installation by floor and specific location. All components are packaged and delivered in the order needed.

JOB EVALUATION/PROPOSAL: Rough-in Ready® will return your accurate cost estimates in 5-10 days.

P.O. SENT TO A DISTRIBUTOR/ROUGH-IN READY®: It typically takes two weeks, once all detailed information is provided, to complete installation drawings.

FORMAL APPROVAL/SIGN OFF PROCEDURE: Drawings are sent directly to the customer in PDF format. Customer has an opportunity to make changes or ask questions. Sign off approval is required before production begins.

PRODUCT DELIVERY: Typically, you'll receive your products 2 weeks after returned approved drawings.

- Job arrives on clearly marked skids by floor and area, depending on your specs.
- Assembly #'s match destinations clearly marked on the drawing for easy installation.
- Room #, assembly #, and job name are all clearly marked on each box.

TECHNICAL SERVICE: Rough-in Ready® provides customer support throughout the entire ordering process. Contact us anytime between 6:00am - 5:00pm EST Monday-Friday.



ACCURATE COST ESTIMATES

DENIER MANUFACTURING
 10891 STATE ROUTE 128
 HARRISON, OH 45030
www.roughinready.com
 (800)286-9601



WITH **SECURE-TRIM**[®]

Room Qty. 21
 Room Type || 1101-3201
 Individual Room Cost \$3,707.60
 Total Room Cost \$77,859.55

EASY-TO-FOLLOW
 NOMENCLATURE IDENTIFIES CABLE
 TYPE, DEVICE GRADE, AND TYPE

Description	Qty.
MC-C 20A DUPLEX TR REC OUTLET	22
MC-C 20A DUPLEX TR SPLIT REC OUTLET	2
MC-C 20A GFI TR REC OUTLET	6
MC-C 20A DBL DUPLEX TR SPLIT REC OUTLET	3
MC-C 20A 1P SW OUTLET	5
MC-C 20A 1P SW (2)-GANG OUTLET	1
MC-C 20A 1P SW & 3WAY SW OUTLET	1
MC-C 20A 3WAY SW OUTLET	4

PROPOSAL BREAKDOWN
 BY CONSTRUCTION AREA

DENIER MANUFACTURING
 10891 STATE ROUTE 128
 HARRISON, OH 45030
www.roughinready.com
 (800)286-9601



WITH **SECURE-TRIM**[®]

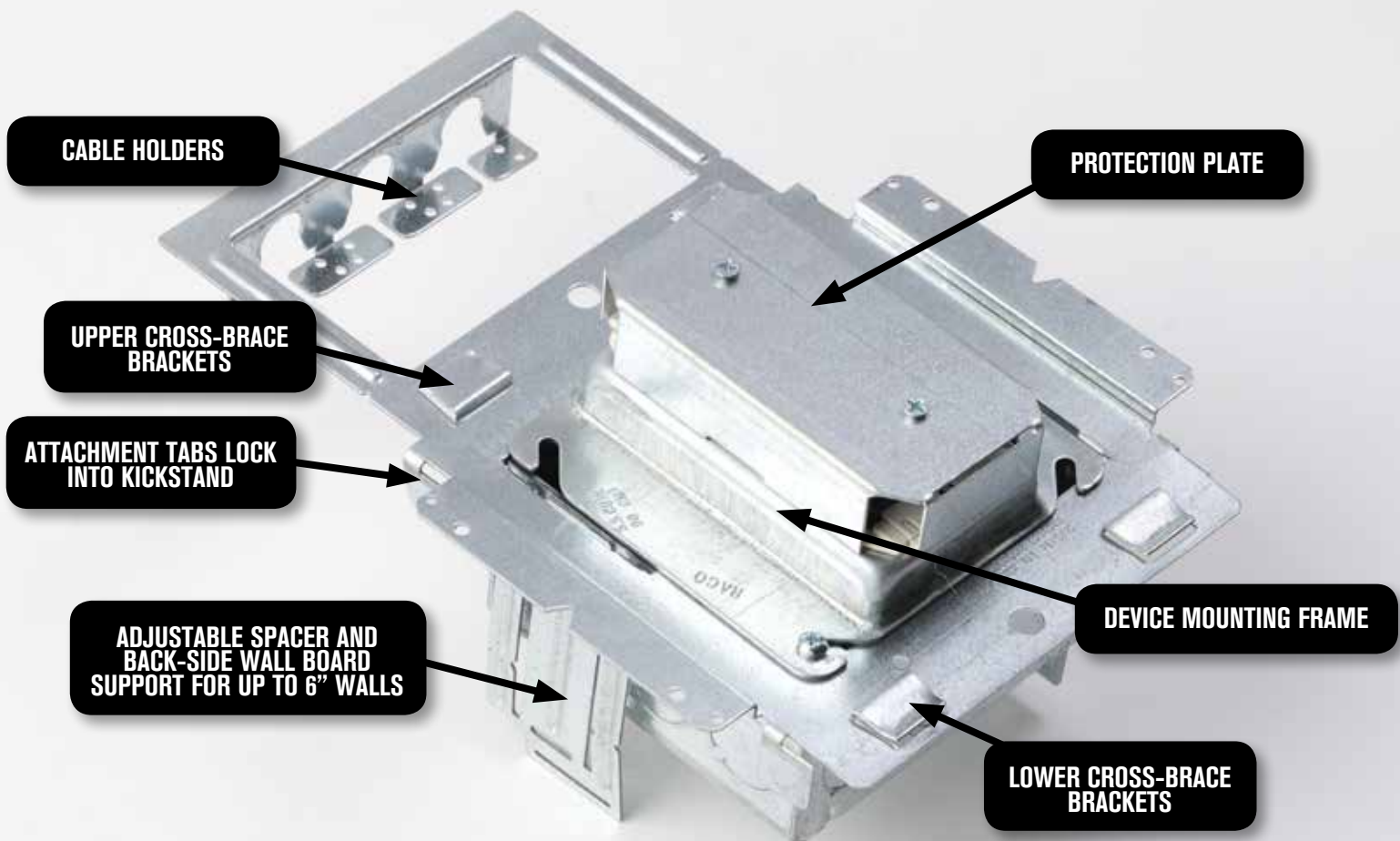
Page #	Area	Per Unit Openings	Total Units	Cost Per Unit	Total Unit Cost
1	1101-3201	86	21	\$3,707.60	\$77,859.55
2	1102-3202	57	21	\$2,204.83	\$46,301.33
3	1103-3103	54	20	\$2,187.51	\$43,750.18
4	1104-3104	56	20	\$2,178.51	\$43,570.15
5	1105	84	1	\$3,971.79	\$3,971.79
6	1106	63	1	\$2,615.18	\$2,615.18
7	1107	74	1	\$3,190.24	\$3,190.24
8	1205-2905	80	17	\$3,549.56	\$60,342.59
9	1206-3206	67	20	\$2,920.62	\$58,412.44
10	1207-3207	76	20	\$3,017.66	\$60,353.27
11	3005 & 3205	72	3	\$3,186.21	\$9,558.64
12	3203	88	1	\$4,130.00	\$4,130.00

TOTAL QUANTITY OF UNITS	146
TOTAL FOR ALL UNITS LISTED ABOVE	\$414,055.36

OUR PRODUCTS

- UNIVERSAL MOUNTING BRACKET
- COMPLETE SYSTEMS
- CABLE/RACEWAY-READY
- PREFAB COMPONENTS
- SUPPORT BRACKETS AND HANGERS
- SECURE-TRIM®
- CUSTOM FIXTURE WHIPS

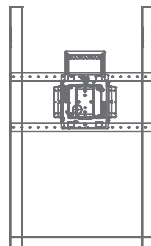
THE UNIVERSAL MOUNTING BRACKET



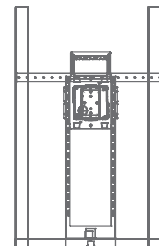
Side Mounted on Stud



Mounted Between Studs



Mounted on Kickstand



THE COMPLETE SYSTEM



Complete Rough-in Ready® Systems include our patented, UL Listed, Rough-in Ready® Universal Mounting Bracket, wiring devices, specified cables, and protection plates.

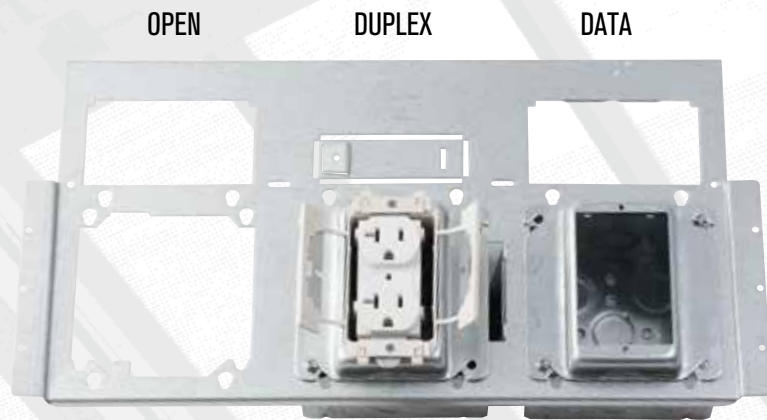
All cable lengths and plaster ring depths are determined by our design department and every assembly is sequentially numbered.

Numbered parts match a detailed layout drawing provided by Rough-in Ready® designers.

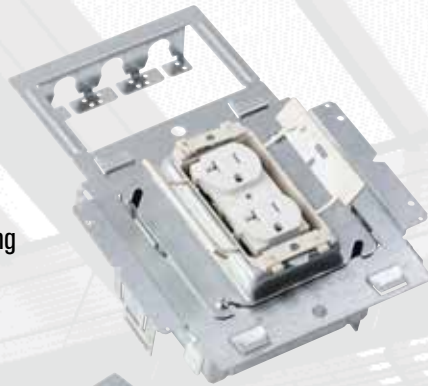
Note: All support brackets available as Raceway-Ready without integral cable support.



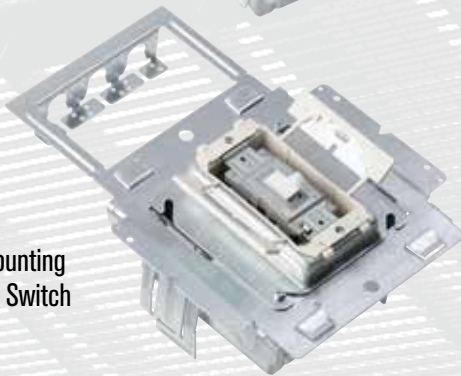
CABLE-READY ASSEMBLIES



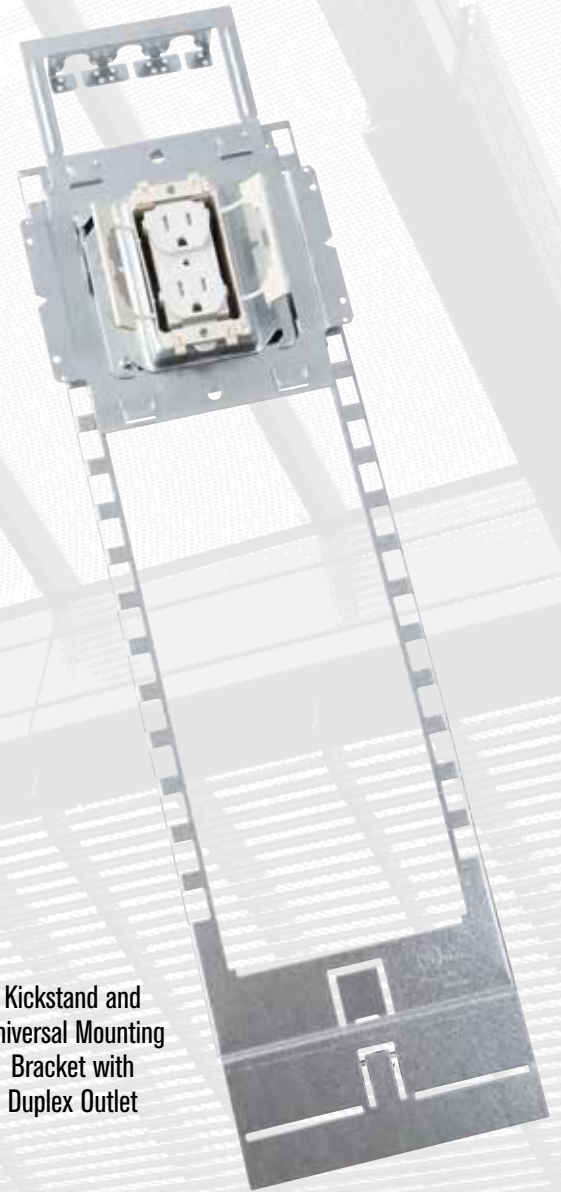
Three Device Mounting Bracket with Duplex Outlet and Data Box



Universal Mounting Bracket with Duplex Outlet



Universal Mounting Bracket with Switch



Kickstand and Universal Mounting Bracket with Duplex Outlet

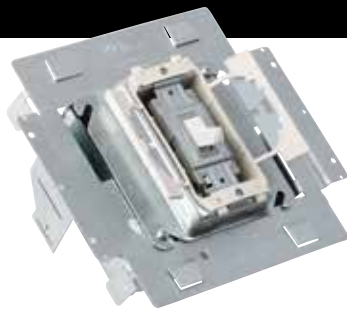
Cable-Ready Assemblies can also be provided with a sequentially numbered drawing or they can be ordered à la carte.

Our “less cable” assemblies include the Rough-in Ready® Universal Bracket, wiring device, plaster ring and, protection plate. As in the Complete System, our designers can determine plaster ring depth and provide a numbered drawing for ease of installation. Or, if preferred, you can order the assemblies with whatever plaster ring depth you need and numbering can be provided to match your design criteria.

Raceway-Ready Assemblies can also be provided with a sequential numbered drawing or they can be ordered à la carte.

Our Raceway-Ready Assemblies include the Rough-in Ready® Raceway Universal Bracket, wiring device, plaster ring, and protection plate. As in our Complete System, our designers can determine plaster ring depth and provide a numbered drawing for ease of installation.

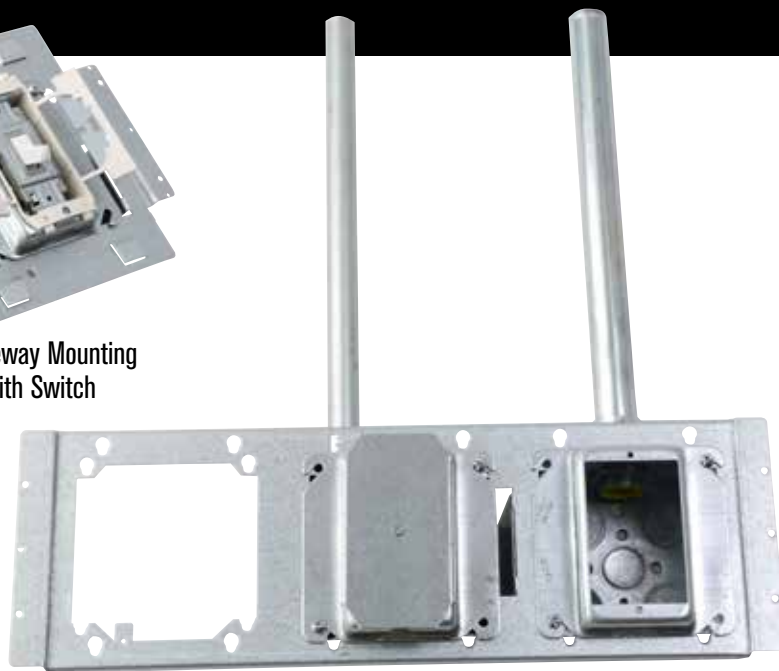
Or, if preferred, you can order the assemblies with whatever plaster ring depth you need and numbering can be provided to match your design criteria.



Universal Raceway Mounting Bracket with Switch

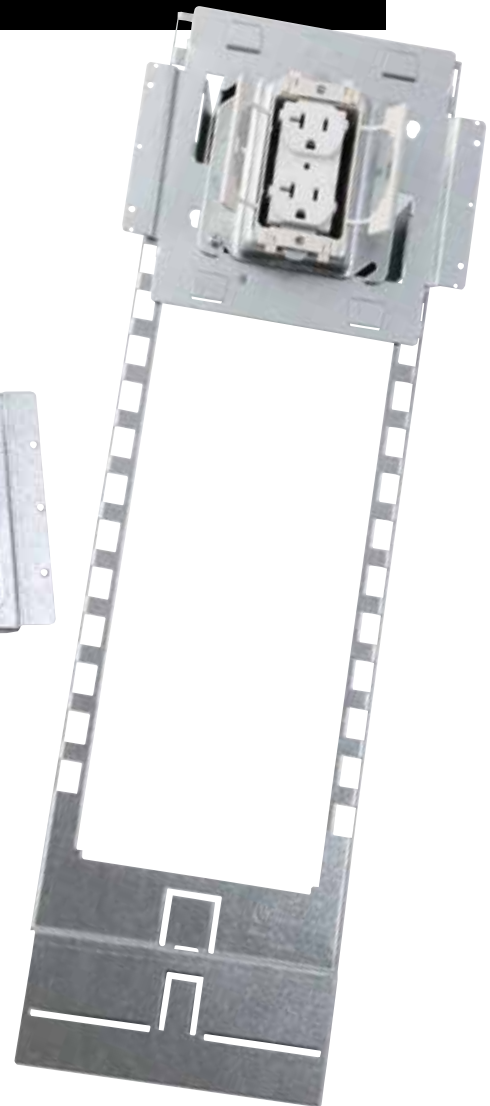


Universal Raceway Mounting Bracket with Duplex Outlet



Three Device Raceway Mounting Bracket with Duplex and Data Box

Kickstand and Universal Raceway Bracket with Duplex Outlet



RACEWAY-READY ASSEMBLIES

PREFABRICATED

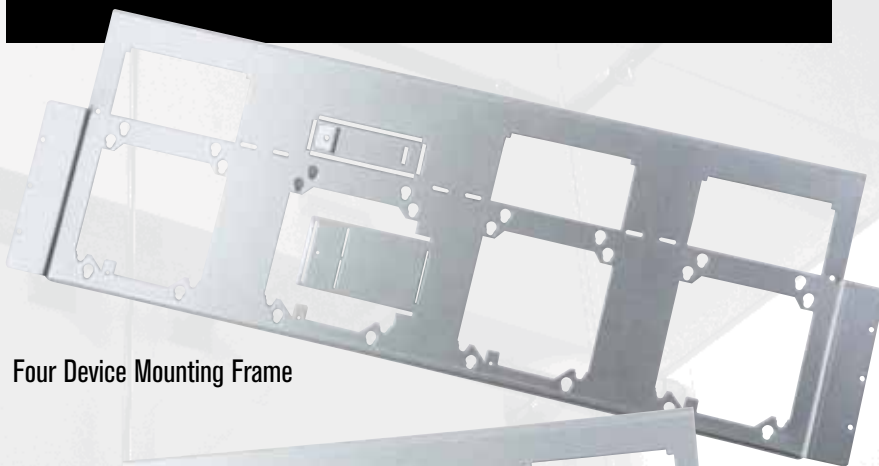
Universal Mounting Brackets are sold individually for use in your own prefabrication process. You can add a **RACO®** 4" Sq. Standard 1-1/2" or 2-1/8" deep box with ground pigtail and any depth plaster ring. All of our brackets come with the first means of support built in (this built-in support feature itself can produce a \$1.50 to \$2.00 savings over conventional field support methods).

Our brackets have built-in far side supports that will accommodate wall depths from 2.5" to 6" deep. We have also designed our bracket with an integral box attachment that allows for the box and bracket to remain securely together while the plaster ring is removed. This makes it possible to make field terminations in the box without the need to reassemble the box and bracket.

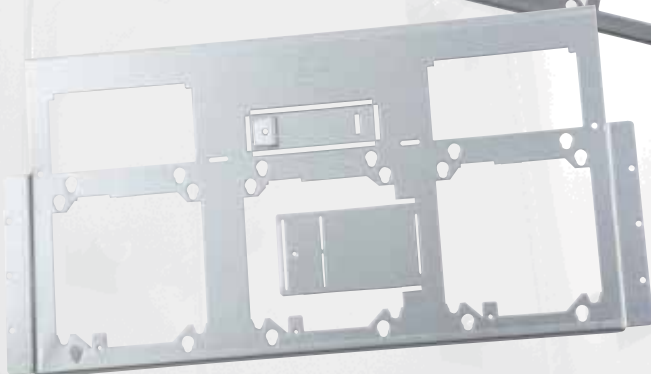


Universal Mounting Bracket Frame

Universal Mounting Bracket with Data Box

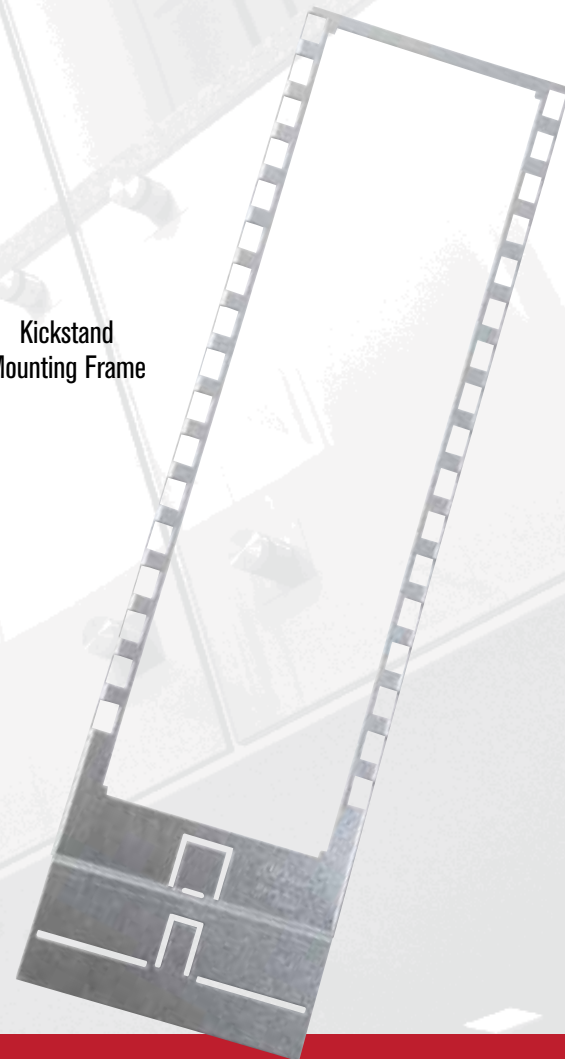


Four Device Mounting Frame



Three Device Mounting Frame

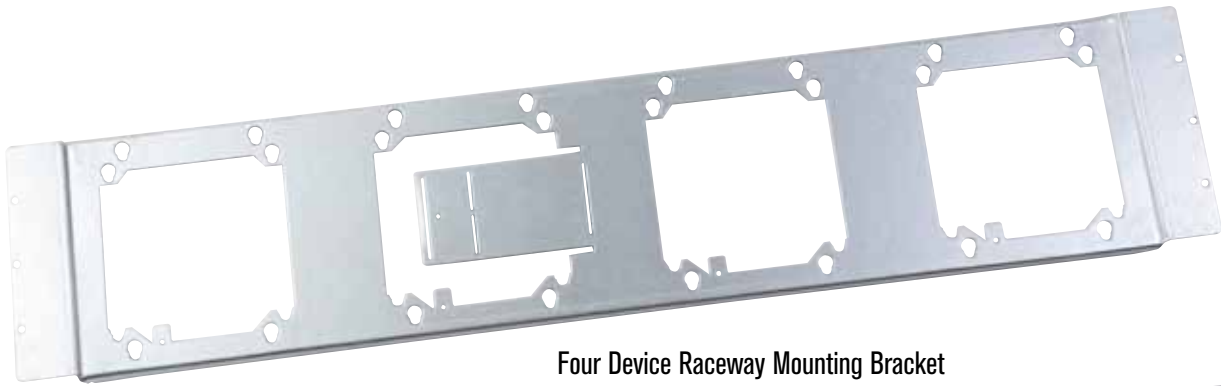
Kickstand Mounting Frame



UNIVERSAL MOUNTING BRACKETS

D COMPONENTS

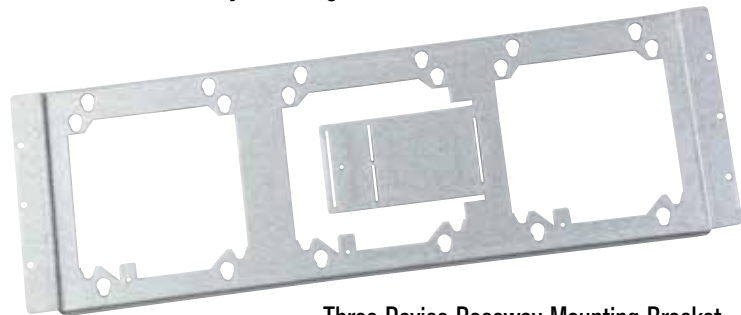
MODULAR ASSEMBLIES



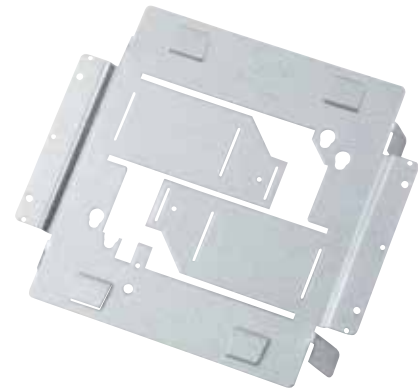
Four Device Raceway Mounting Bracket



Duplex Outlet, Drywall Ring,
Secure-Trim[®], Protection Plate,
and push on wire connectors



Three Device Raceway Mounting Bracket



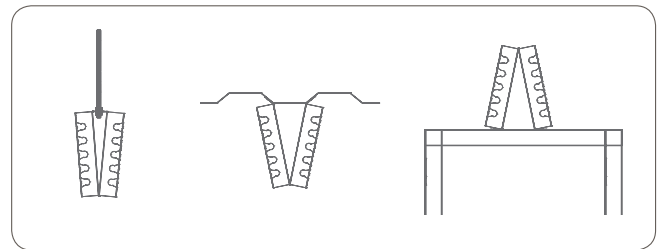
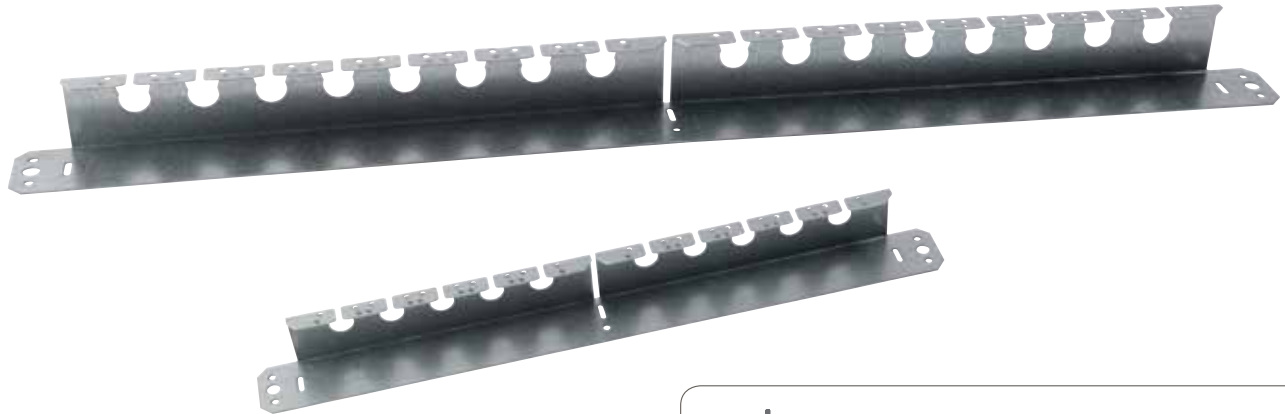
Universal Raceway
Mounting Bracket Frame

Modular Assemblies are comprised of wiring devices with pigtails mounted on plaster rings, push on wire connectors, and Secure-Trim[®]. These items are ordered à la carte and will not go through our design department unless it is part of a full system bid.

SUPPORT BRACKETS & HANGERS

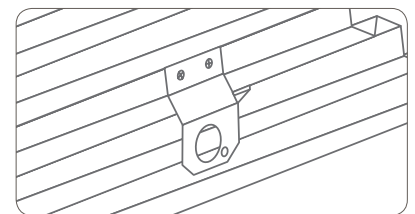
CABLE SUPPORT BRACKETS

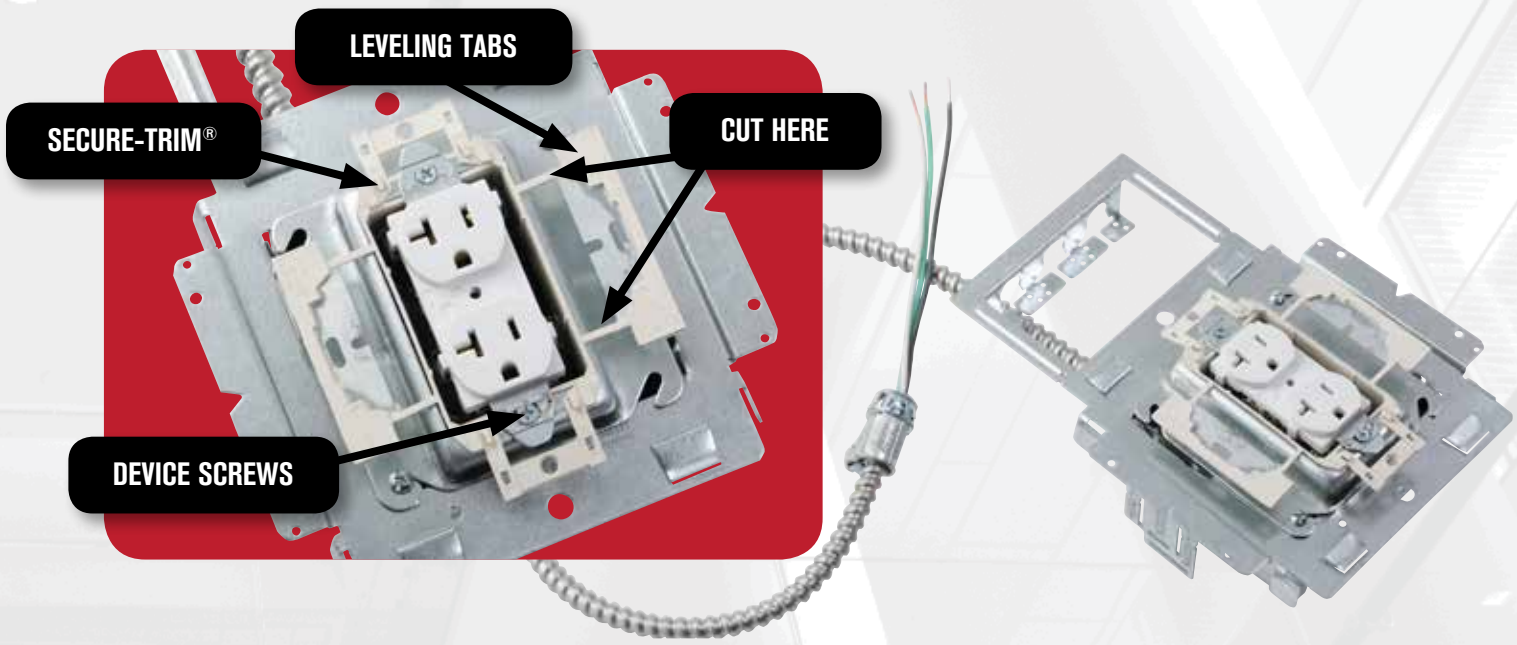
Our UL listed Cable Support Brackets are designed for multi-conductor MC.



DECK HANGERS

Our Deck Hanger is designed to replace conventional mounting methods that would have included an intensive strut system. Our hangers can also be used to mount just about anything that you need to suspend from the deck. This product is UL listed to hold fixtures of up to 100 lbs. with 4 TEK screws.





Secure-Trim® by Rough-in Ready® allows for a perfect, level finish every time. The unique, patented design eliminates “device rock” and unsightly gaps between the device wall plate and wall surface. More importantly, it allows device finish work to adapt to any wall configuration or wall changes on jobs. Secure-Trim® is easy to use and is included standard with every Rough-in Ready® single and double gang duplex assembly.

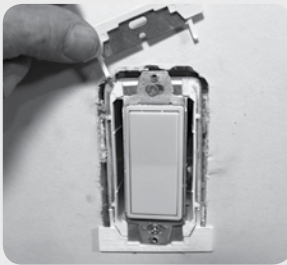
SECURE-TRIM® MAKES INSTALLATION A SNAP



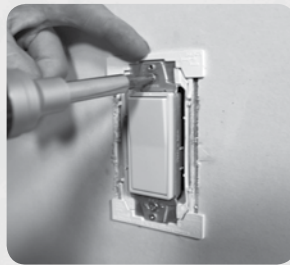
Remove Rough-in Ready® protection plate



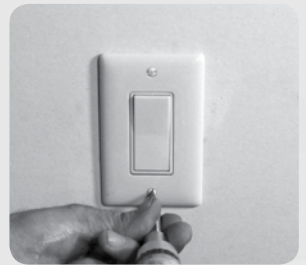
Detach device supports



Snap on top and bottom device supports



Final adjustment level and tighten device



Install finish plate

Rough-in Ready® offers custom fixture whips for MC, MC-AP, HCFC, and NM type cable fittings. Our Cable Whips can be cut to length with or without connectors attached.



CUSTOM FIXTURE WHIPS

OUR PRODUCTS FEATURE



RACO®

A Division of Hubbell Incorporated (Delaware)



Boxes and Covers



Wiring Devices

THE NUMBERS: JOB COST SAVINGS

**ROUGH-IN READY® HELPS YOU INCREASE
YOUR MARKET SHARE**

JOB COST SAVINGS OR POTENTIAL ADVANTAGE ON BID DAY CALCULATOR

Job Cost Using the Rough-in Ready® System:

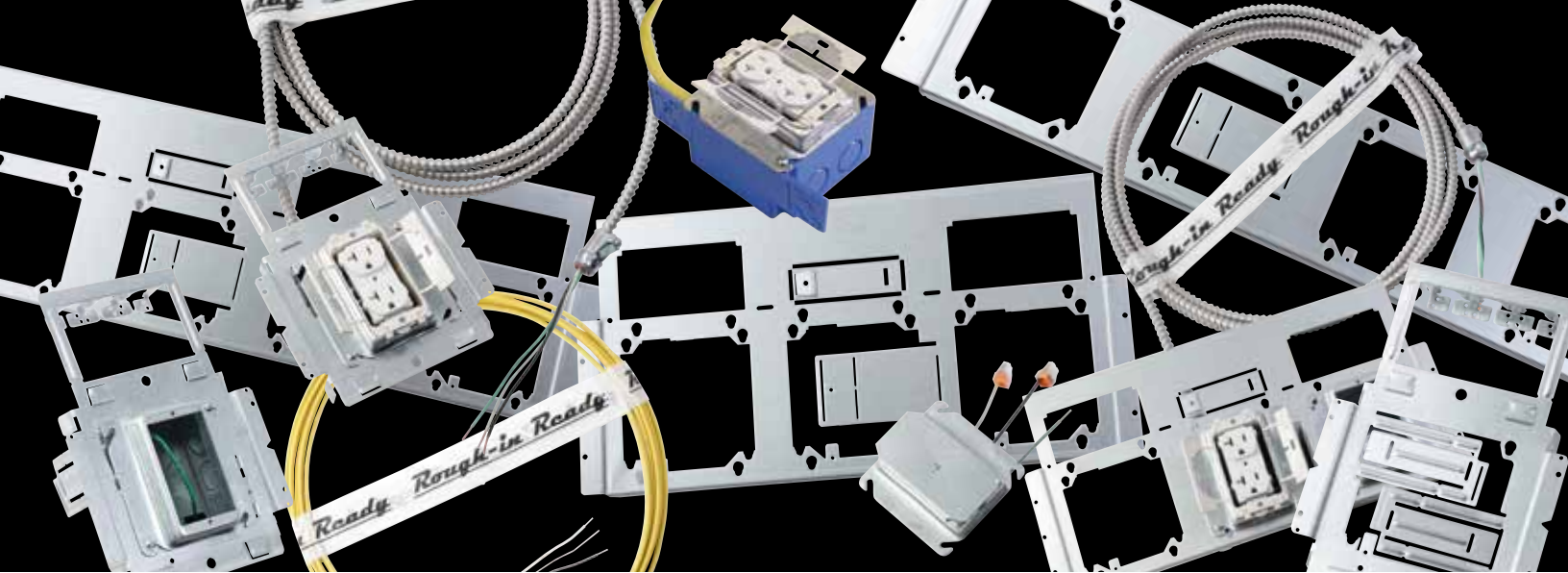
\$69,832.00	Rough-in Ready's System Cost
401.29	Rough-in Ready's Projected Installation Hours
\$45.00	Contractor's Fully Burdened Labor Rate
\$ 87,889.00	Total Installed Job Cost

Job Cost if You Were to Hardwire the Same Openings as the Rough-in Ready® System:

\$ 36,789.43	Contractor's Estimated Material Cost
2,205.70	Contractor's Estimated Installation Hours
\$45.00	Contractor's Fully Burdened Labor Rate
\$ 136,045.93	Total Installed Job Cost

TOTAL SAVINGS:

1,804.41	Total Number of Hours Saved
81.81%	Total Labor Saving
\$48,155.97	Total Job Cost Savings or Your Potential Advantage on Bid Day
35.40%	Total Percentage of Job Cost Savings



EXPERIENCE, QUALITY, AND SERVICE

Draw on the collective expertise of three industry leaders to maximize your productivity and market share. Hubbell® Rough-in Ready® prefabricated and preassembled solutions feature electrical steel boxes from Hubbell RACO® along with Hubbell Wiring Device-Kellems devices. When combined with Rough-in Ready's design and state-of-the-art manufacturing capabilities, you receive unparalleled experience in electrical contracting and installation.

The benefit - a tailored solution with an easy-to-identify convention that details project name, room number, and assembly for a fast and reliable installation.

Simplify your efforts from bid submittals and layout drawings, through delivery and installation. To find out more about how Rough-in Ready® components, designs, and specifications can add to your bottom line call: (800) 286.9601.

*Rough-in
Ready*

Rough-in Ready®, 11425 Century Circle West, Cincinnati, OH 45246

WWW.ROUGHINREADY.COM

Rough-in Ready® is a division of Denier Electric Co., Inc.



RACO
A Division of Hubbell Incorporated (Delaware)

U.S. Patent Numbers: 6,996,943 7,053,300 7,189,928 8,371,465