

OPEN CENTER BRACKET

with Cable Management

NEW!



Application

Easily position and adjust electrical boxes and plaster rings between studs.

Features

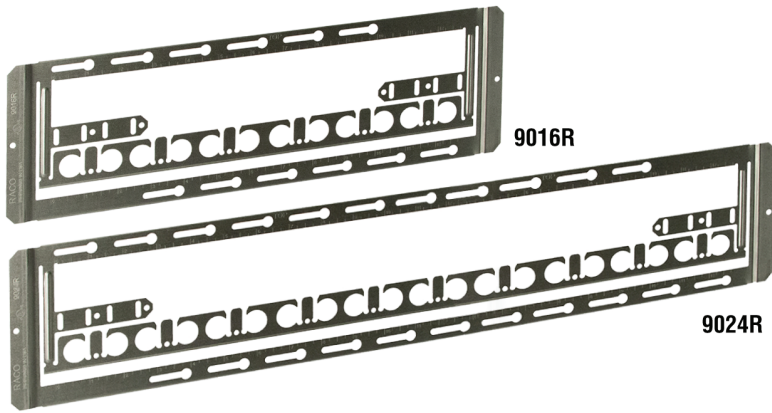
- Accepts both 4" and 4-11/16" square boxes and plaster rings
- Opening gives installer flexibility of box position between studs
- Features built-in first means of support for securing and supporting flex and armored cable
- Available for both 16 inch and 24 inch stud spacing
- Built-in ruler to aid in alignment of electrical box
- Patent pending
- cULus listed

Built-in ruler for easy placement



Catalog No.	Description	Std. Pkg.	UPC-A Bar Code
9016R	Bracket for 16 inch stud spacing	25	0501699890165
9024R	Bracket for 24 inch stud spacing	25	0501699890245

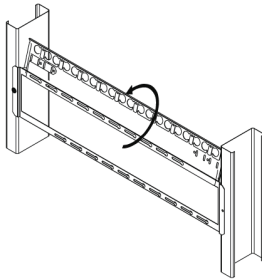




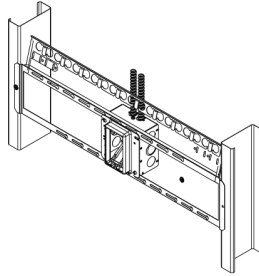
Instructions for using RACO open center bracket 9016R and 9024R

A minimum of (1) far side support must be installed on each electrical box to retain cUL Listing in Canada.

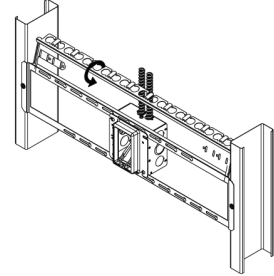
STEP 1.
Rotate back center piece almost 180° until it stops



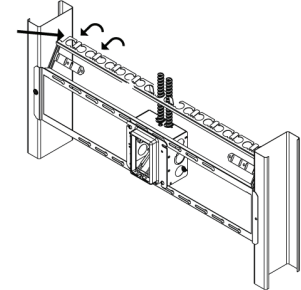
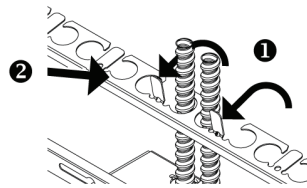
STEP 2.
Install box and cables



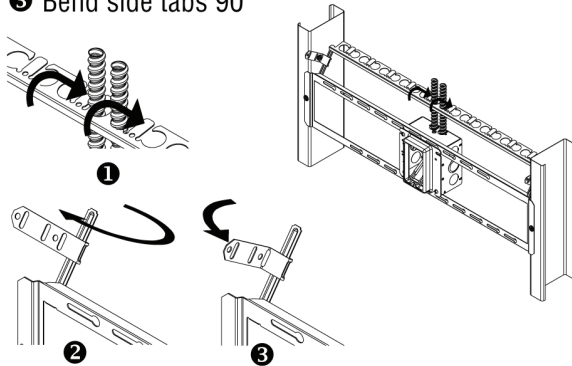
STEP 3.
Rotate back top section 90°



STEP 4.
 ① Bend up tabs adjacent to the cables 90°
 ② Push back top section until it hits the cables



STEP 5.
 ① Bend down tabs adjacent to the cables 90°
 ② Bend side tabs 180°
 ③ Bend side tabs 90°



STEP 6.
 ① Bend side tabs back 90°
 ② Install screws as shown

