



Commercial, and Residential Electrical Products

# TAYMAC U·CONDUIT<sup>®</sup> 10-IN-1

## UNIVERSAL CONDUIT BODY for RIGID/IMC or EMT

Configures to all standard bodies  
(LB, LR, LL, T, C)

**Space Saver!  
& Trip Saver!**

*Easily swap panels for  
any configuration*

*Captive Screws*

*Attached O-ring*

*Patented self-aligning  
covers/panels*

*Combo hubs compatible  
with all conduit types*


*Seamless  
pre-affixed gasket*

*Reducer bushings for smaller  
conduit/fittings\**

*UCB050*

### Features

- Patented interchangeable panels can be configured to LB, LR, LL, T or C
- Suitable for weatherproof installs
- Use set screws for EMT conduit, and threaded hubs for threaded Rigid/IMC conduit or fittings
- Available in trade sizes 1/2", 3/4" and 1"
- Lightweight, Durable TAYMAC TUFF<sup>®</sup> Die-cast Aluminum Construction
- Seamless pre-affixed gasket and self-aligning covers/panels

- More wiring capacity than standard bodies and meets 2014 NEC 314.16(C)(2) for volume marking
- Tri-combo head set screws 
- Unique design lends to easy, time-saving installations
- Captive screws with attached O-ring for ease of use and a weatherproof seal
- Includes 4 steel reducer bushings in the 1" size – (2) 1" to 3/4", (2) 1" to 1/2"; and (2) 3/4" to 1/2" bushings in the 3/4" size\*.

*Comes pre-configured for LB/LL*

- Not suitable for use in hazardous location applications
- Includes (1) body, (3) blank covers/panels, (1) T panel, (1) LL/LB/LR panel, reducer bushings\*, (1) closure plug and extra hardware
- Ideal for service trucks and reduces inventory

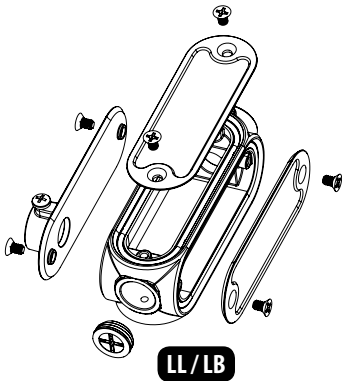


NEC & NEMA 3  
Compliant

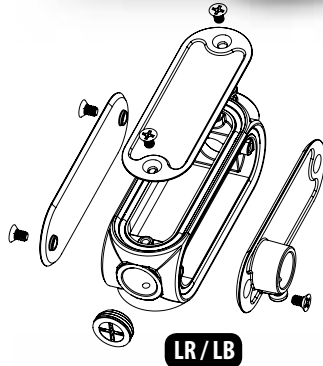
\* 1/2" trade size does not include reducer bushings.



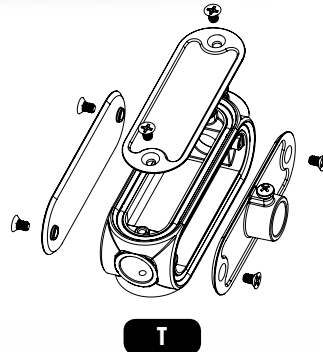
**U•CONDUIT®** – *Universal Conduit Body easily configures for all common uses*



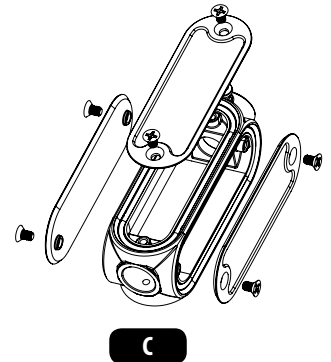
**LL/LB**



**LR/LB**



**T**



**C**



UCB075

CATALOG #	DESCRIPTION	VOLUME	PKG. TYPE	STD. PKG.	UPC	I 2 of 5
<b>U•CONDUIT® 10-IN-1 UNIVERSAL CONDUIT BODY</b>						
UCB050	1/2" Universal Conduit Body	5.8 cu in (95 cc)	Shrink Wrap	10	050169571224	50050169571229
UCB075	3/4" Universal Conduit Body	9.5 cu in (156 cc)	Shrink Wrap	10	050169571231	50050169571236
UCB0100	1" Universal Conduit Body	14.3 cu in (234 cc)	Shrink Wrap	10	050169571248	50050169571243



**COMMERCIAL CONSTRUCTION**  
A Division of Hubbell Incorporated (Delaware)

**TayMac**  
2520 E. University Dr.  
Tempe, AZ 85281  
800-526-5416  
[www.hubbell.com/taymac/en](http://www.hubbell.com/taymac/en)

