



**PHBH**



**PHBH THE PERFORMANCE HAZARDOUS LOCATION HIGH BAY**

**HUBBELL®**  
Industrial Lighting



**HUBBELL®**  
Lighting



**PHBH**  
THE PERFORMANCE HAZARDOUS  
LOCATION HIGH BAY

**HUBBELL®**  
Industrial Lighting

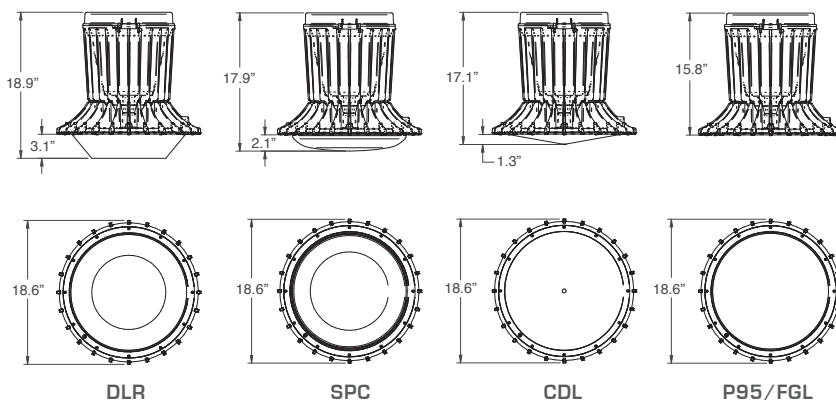


The best high bay for  
hazardous location lighting

### FEATURES

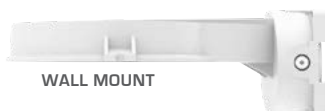
- Tested and qualified to UL844, Class I, Division 2, Group A, B, C and D
- Up to 28,000 lumens
- Three lumen values (28,000, 20,000 and 14,000)
- Up to a full 65°C with no fold back
- Good side light and up light on the SPC and DLR optics
- Up to 141 Lumens per Watt
- IP66 Rated
- Tested to UL1598 Wet Location by CSA Laboratories

### DIMENSIONS



	LPW	SC	MATERIAL	SHAPE	FEATURE
P95	141	1.22	Clear Acrylic	Flat with a Slight Haze	Highest LPW
CDL	134	1.11	Clear Acrylic	Conical Ribs	Low Profile
DLR	133	1.28	Clear Acrylic	Dropped Refractor	Good Glare Control, Widest Distribution
SPC	131	1.22	Milk White Acrylic	Smooth Sag Lens	Best Glare Control

### MOUNTING OPTIONS



### LENS OPTIONS



**HUBBELL**  
Lighting

Due to our continued efforts to improve our products, specifications are subject to change without notice.  
© 2018 Hubbell Lighting. All Rights Reserved.

For more information visit our web site: <http://www.hubbellindustrial.com/>  
Phone: 1-864-678-1000