



OMNI[®] LOW VOLTAGE PIR CEILING SENSOR

CEILING MOUNT OCCUPANCY SENSORS

FEATURES

- IntelliDAPT[®] self-adaptive technology—no manual adjustment required
- All-digital passive infrared (PIR) sensor
- Non-volatile memory for sensor settings
- 450 - 1,500 square-foot coverage area (depending on model)
- Optional relay and photocell control
- UL and cUL listed
- California Title 24 compliant
- Five-year limited warranty



RELATED PRODUCTS

- [Occupancy Sensor Accessories](#)
- [Universal Voltage Power Packs](#)
- [Heavy Duty Universal Voltage Power Packs](#)
- [MPSHD Pack](#)
- [MP347A Power Pack](#)

SPECIFICATIONS

CONSTRUCTION

- Casing- rugged, high-impact, injection-molded plastic KJB ABS
- Cicolac (UL-945VA) flame class rating, UV inhibitors
- Color-coded leads are 6" long (152.4 mm)
- 5.0 oz (142g)
- Off-white
- Red - ultrasonic detection
- Dual-element pyrometer and 12-element cylindrical rugged lens

MOUNTING

- Mounting base provided
- Recommended mounting height: 8ft (2.44m) with a max mounting height of 12ft (3.66m)

ELECTRICAL

- 24VDC, 33mA (uses UVPP and MP- Series power pack- not included)
- 24 VDC active high-logic control signal with short circuit protection and optional dry contact (see RP options)

OPERATIONS

- IntelliDAPT
 - Auto reset from test setting
 - Self-adjusting timer
 - Self-adjusting passive infrared thresholds
 - Automatic false-ON/false-OFF corrections
- Timer Settings
 - Automatic mode: 8–30 min. (self-adjusts based on occupancy)
 - Test mode: 8 seconds (for an easy check at installation)
- RP Option
 - Relay and photocell included
 - Relay: N/O + N/C contacts; SPDT; 500 mA rated @ 24VDC; three-wire isolated relay
 - Photocell: adjustable natural-light override ranges from 0 to 100 foot-candles (0–1,000 lux)
- Coverage
 - 450–1,500 square feet

OPERATING ENVIRONMENT

- Indoor use only
- Operating temperature: 32° to 104°F (0° to 40°C)
- Relative humidity (non-condensing): 0% to 95%

CERTIFICATIONS

- UL and cUL listed
- This product qualifies as both (i) a “domestic construction material” per FAR §52.225-9 Buy American-Construction Materials and a “(COTS) item” per FAR §2.101 and (ii) a “designated country construction material” per FAR 52.225-11 Buy American-Construction Materials under Trade Agreements effective 5/27/2020. See [Buy American Solutions](#).
- This product qualifies as “designated country construction material” per FAR 52.225-11 Buy American-Construction Materials under Trade Agreements effective 5/27/2020. See [Buy American Solutions](#).

WARRANTY

- 5 year warranty
- See [HCS Standard Warranty](#) for additional information



OMNI® LOW VOLTAGE PIR CEILING SENSOR

CEILING MOUNT OCCUPANCY SENSORS

ORDERING GUIDE

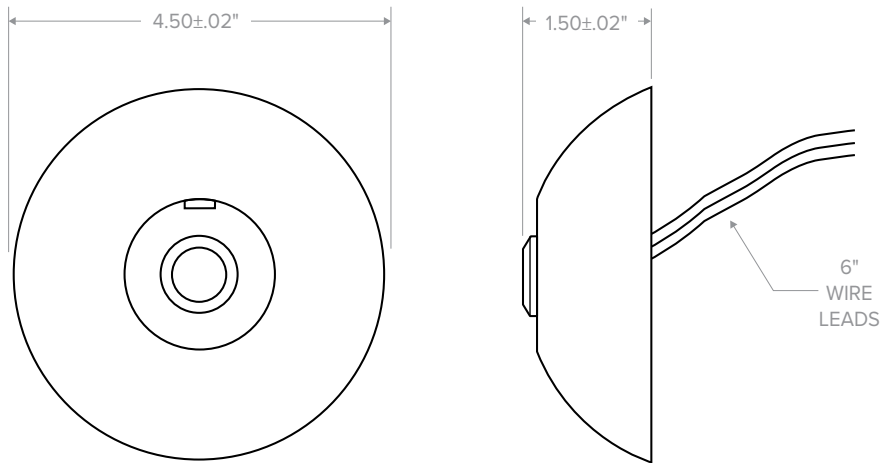
Example: OMNIIR-U

CATALOG #

Series	Technology	Coverage	Relay/Photocell Option	BAA/TAA*
OMNI Ceiling Sensor	IR Passive Infrared	L Long Range IR, 1,500 sq. ft. Blank 450 sq. ft.	RP Relay & Photocell Blank No Option	Blank Standard Product U BAA T TAA

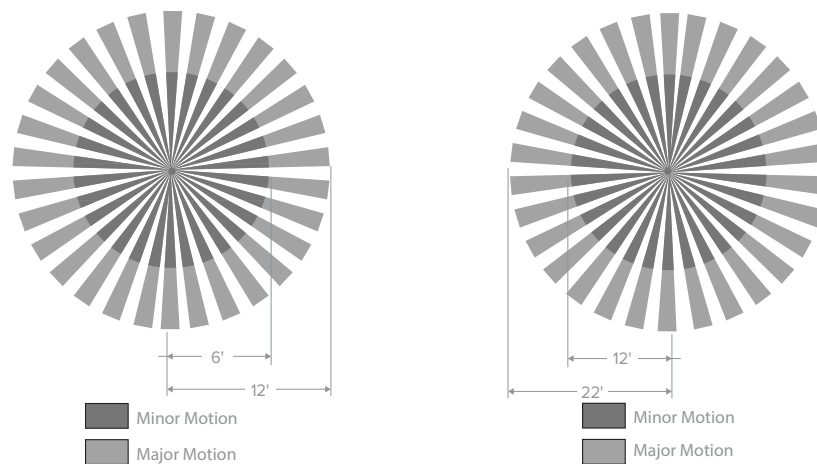
*Buy American Solutions	
BAA FAR §52.225-9	TAA FAR §52.225-11
OMNIIRRP	OMNIIR
	OMNIIRLRP
	OMNIIRRP

DIMENSIONS



ADDITIONAL INFORMATION

COVERAGE PATTERN



OMNI® IR Range

OMNI® IRL Range

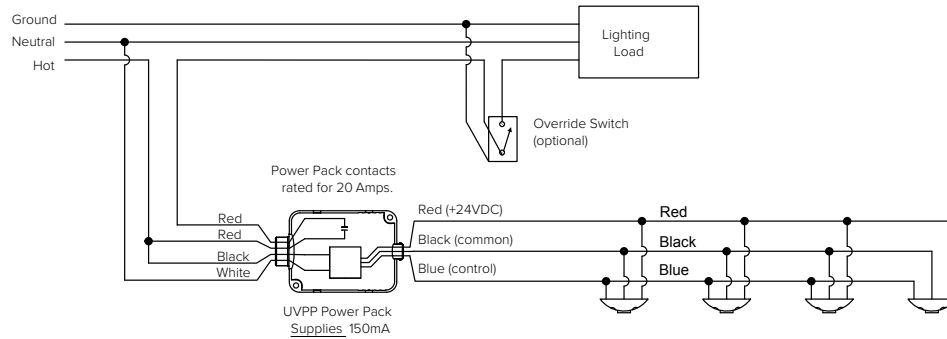


OMNI® LOW VOLTAGE PIR CEILING SENSOR

CEILING MOUNT OCCUPANCY SENSORS

ADDITIONAL INFORMATION CONTINUED

WIRING DIAGRAMS

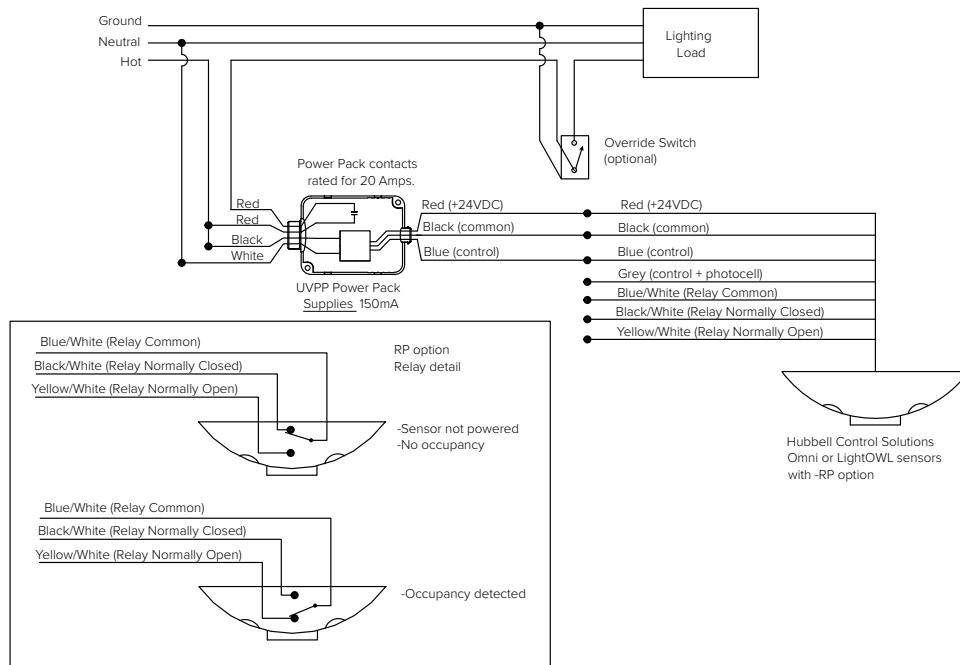


Hubbell Control Solutions
Low Voltage Sensors (devices)
Requires 33mA each

NOTE:

- DO NOT attempt to power more than 4 devices, be it sensors or slave packs, from a single power pack.

1 circuit with up to 4 sensors and UVPP



1 circuit with RP option wiring

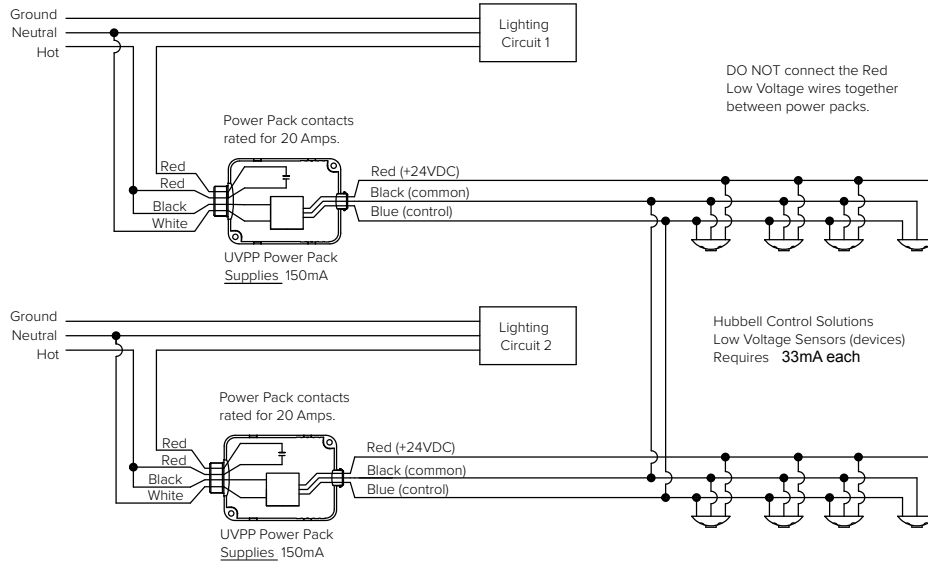


OMNI® LOW VOLTAGE PIR CEILING SENSOR

CEILING MOUNT OCCUPANCY SENSORS

ADDITIONAL INFORMATION CONTINUED

WIRING DIAGRAMS CONTINUED



NOTES:

1. Lighting load turns on when at least one sensor detects motion
2. DO NOT attempt to power more than 4 devices, be it sensors or slave packs, from a single power pack
3. No more than 4 power packs should be connected in this way

2 circuits with 5 to 8 sensors