



LOW PROFILE PIR CEILING SENSOR

CEILING MOUNT OCCUPANCY SENSORS

FEATURES

- Low-profile design
- 1,500 square-foot, 360° coverage area
- Integral photocell control
- Auxiliary relay version available
- Line-voltage (120-347VAC) and low-voltage (24VDC) versions available
- UL and cUL listed
- Five-year limited warranty



RELATED PRODUCTS

- Ø [Occupancy Sensor Accessories](#)
- Ø [Universal Voltage Power Packs](#)
- Ø [Heavy Duty Universal Voltage Power Packs](#)
- Ø [MPSHD Pack](#)
- Ø [MP347A Power Pack](#)

SPECIFICATIONS

CONSTRUCTION

- Rugged, high-impact, injection-molded plastic KJB
- ABS Cyclocac (UL945VA) flame class rating
- UV inhibitors
- Color-coded leads are 6" long (152.4mm)
- 4.0" Diameter, 1.9" Height (101mm Diameter, 48mm Height)
- 3.0 oz. (85.05g)
- White

MOUNTING

- Metal mounting ring provided (PIR10EMS only)
- PIR10 sensors can be mounted using a 3-0 round mud ring attached to a 4" (101.6mm) square electrical box
- Recommended MAX mounting height: 10ft (3.05m)

ELECTRICAL

- PIR10P: 120-347 VAC
- PIR10EMS: 24 VDC, 10mA (uses UVPP and MP-Series power pack not included)
- Output: 24 VDC active high-logic control signal with short-circuit protection and optional dry contact (see: EMS Option)
- Auxiliary relay: SPDT; 1 A rated at 24VDC (PIR10EMS model only)

OPERATION

- Coverage
 - 1,500 square feet at 10' mounting height
 - 360° coverage area
- Timer Settings
 - Fully adjustable: 30 seconds - 30 minutes
- Integral photocell
 - Natural-light override range: 5 - 200 foot-candles (5-200 lux)

OPERATION (CONTINUED)

- Sensitivity
 - Fully adjustable: 20% - 100%
- LED Lamp
 - Walk test indicator (blinking light indicates the sensor is working)

OPERATION ENVIRONMENT

- Indoor use only
- Operating temperature: 32° to 131°F (0° to 55°C)
- Relative humidity (non-condensing): 0% to 95%

CERTIFICATIONS

- UL and cUL listed
- Title 24 compliant

WARRANTY

- 5 year warranty
- See [HLI Standard Warranty](#) for additional information

ORDERING GUIDE

Example: PIR10P

CATALOG #

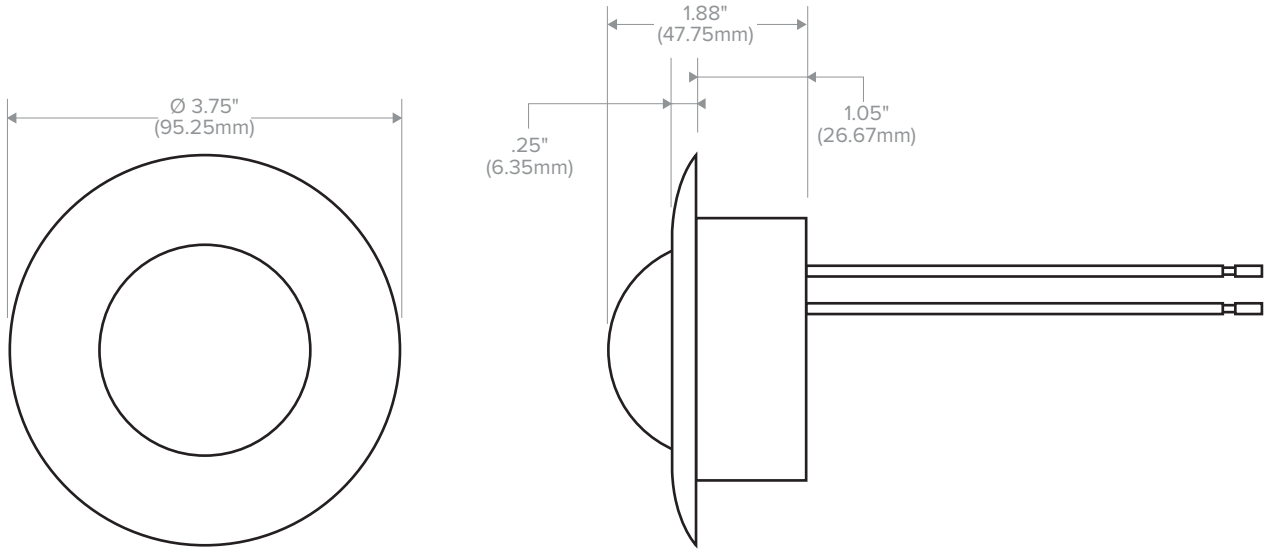
Model

- PIR10P Passive Infrared line voltage ceiling sensor
- PIR10EMS Passive Infrared low voltage sensor with auxiliary relay

LOW PROFILE PIR CEILING SENSOR

CEILING MOUNT OCCUPANCY SENSORS

DIMENSIONS



ADDITIONAL INFORMATION

Coverage Patterns

