



OMNI® LINE VOLTAGE ULTRASONIC CEILING SENSOR

CEILING MOUNT OCCUPANCY SENSORS

FEATURES

- IntelliDAPT® self-adaptive technology — no manual adjustment required
- Superior all-digital ultrasonic (US) minor motion detection
- Non-volatile memory for sensor settings
- 500–2,000 square-foot coverage area (depending on model)
- Self-contained power supply
- Universal voltage (100–277VAC; 50/60 Hz)
- UL and cUL listed
- Five-year warranty



RELATED PRODUCTS

[Occupancy Sensor Accessories](#)

[OMNIDTBP](#)

[OMNIIRBP](#)

[OMNIUS](#)

[OMNIDT](#)

[OMNIIR](#)

SPECIFICATIONS

CONSTRUCTION

- Casing- rugged, high-impact, injection-molded plastic KJB ABS
- Cicolac (UL-945VA) flame class rating, UV inhibitors
- Color-coded leads are 6" long (152.4 mm)
- 8.2 oz.
- Off-white
- Green - ultrasonic motion

MOUNTING

- Mounting using a 3 inch (76.2mm) mud ring attached to 4 inch (101.6mm) square electrical box
- Recommended MAX mounting height: 12ft. (3.66m)

ELECTRICAL

- OMNIUS500: 40kHz output OMNIUS1000 and OMNIUS2000: 32kHz output
- 100-277VAC; 50/60Hz

ELECTRICAL (CONTINUED)

- 20A: 120VAC Incandescent
- 20A: 120 or 277VAC Magnetic Ballast
- 16A: 120 or 277VAC Electronic Ballast
- 1HP: 120VAC Motor Load
- 1HP: 277VAC Motor Load

OPERATIONS

- IntelliDAPT
 - Auto reset from test setting
 - Self-adjusting timer
 - Self-adjusting ultrasonic thresholds
 - Automatic false-ON/false-OFF corrections
- Coverage
 - 500–2,000 square feet (depending on model)

OPERATIONS (CONTINUED)

- Timer Settings
 - Automatic mode: 8–30 min. (self-adjusts based on occupancy)
 - Test mode: 8 seconds (for an easy check at installation)

OPERATING ENVIRONMENT

- Indoor use only
- Operating temperature: 32° to 104°F (0° to 40°C)
- Relative humidity (non-condensing): 0% to 95%

CERTIFICATIONS

- UL and cUL listed

WARRANTY

- 5 year warranty
- See [HLI Standard Warranty](#) for additional information

ORDERING GUIDE

Example: OMNIUS500BP1277

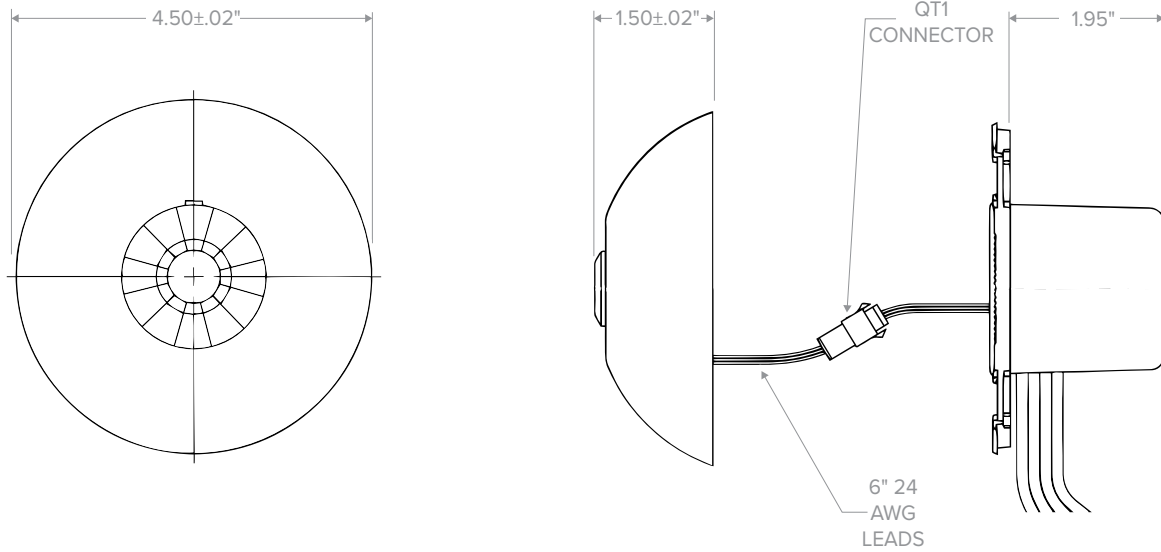
CATALOG #

Series	
OMNIUS500BP1277	Line Voltage Ultrasonic Ceiling Sensor 500 sq. ft. coverage
OMNIUS1000BP1277	Line Voltage Ultrasonic Ceiling Sensor 1000 sq. ft. coverage
OMNIUS2000BP1277	Line Voltage Ultrasonic Ceiling Sensor 2000 sq. ft. coverage

OMNI® LINE VOLTAGE ULTRASONIC CEILING SENSOR

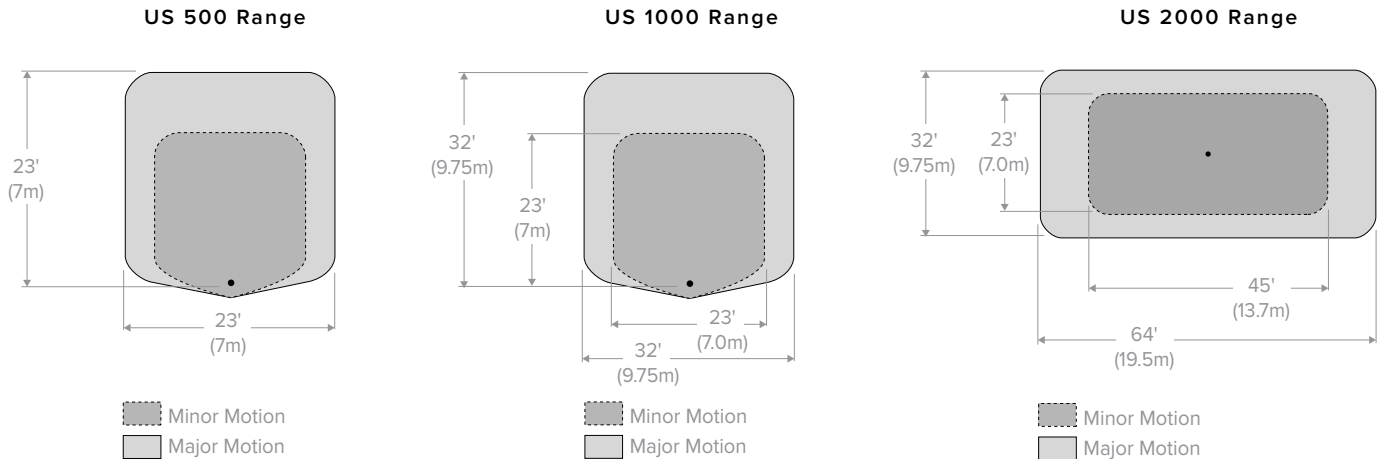
CEILING MOUNT OCCUPANCY SENSORS

DIMENSIONS



ADDITIONAL INFORMATION

Coverage Patterns



All product and company names, logos and product identifiers are trademarks™ or registered trademarks® of Hubbell Lighting, Inc. or their respective owners. Use of them does not necessarily imply any affiliation with or endorsement by such respective owners.

OMNI[®] LINE VOLTAGE ULTRASONIC CEILING SENSOR

CEILING MOUNT OCCUPANCY SENSORS

ADDITIONAL INFORMATION (CONTINUED)

Wiring Diagram

