



# OMNI® LINE VOLTAGE ULTRASONIC CEILING SENSOR

CEILING MOUNT OCCUPANCY SENSORS

## FEATURES

- IntelliDAPT® self-adaptive technology — no manual adjustment required
- Superior all-digital ultrasonic (US) minor motion detection
- Non-volatile memory for sensor settings
- 500–2,000 square-foot coverage area (depending on model)
- Self-contained power supply
- Universal voltage (100–277VAC; 50/60 Hz)
- UL and cUL listed
- Five-year warranty



## RELATED PRODUCTS

[Occupancy Sensor Accessories](#)

[OMNIDTBP](#)

[OMNIIRBP](#)

[OMNIUS](#)

[OMNIDT](#)

[OMNIIR](#)

## SPECIFICATIONS

### CONSTRUCTION

- Casing- rugged, high-impact, injection-molded plastic KJB ABS
- Cicolac (UL-945VA) flame class rating, UV inhibitors
- Color-coded leads are 6" long (152.4 mm)
- 8.2 oz.
- Off-white
- Green - ultrasonic motion

### MOUNTING

- Mounting using a 3 inch (76.2mm) mud ring attached to 4 inch (101.6mm) square electrical box
- Recommended MAX mounting height: 12ft. (3.66m)

### ELECTRICAL

- OMNIUS500: 40kHz output OMNIUS1000 and OMNIUS2000: 32kHz output
- 100-277VAC; 50/60Hz

### ELECTRICAL (CONTINUED)

- 20A: 120VAC Incandescent
- 20A: 120 or 277VAC Magnetic Ballast
- 16A: 120 or 277VAC Electronic Ballast
- 1HP: 120VAC Motor Load
- 1HP: 277VAC Motor Load

### OPERATIONS

- IntelliDAPT
  - Auto reset from test setting
  - Self-adjusting timer
  - Self-adjusting ultrasonic thresholds
  - Automatic false-ON/false-OFF corrections
- Coverage
  - 500–2,000 square feet (depending on model)

### OPERATIONS (CONTINUED)

- Timer Settings
  - Automatic mode: 8–30 min. (self-adjusts based on occupancy)
  - Test mode: 8 seconds (for an easy check at installation)

### OPERATING ENVIRONMENT

- Indoor use only
- Operating temperature: 32° to 104°F (0° to 40°C)
- Relative humidity (non-condensing): 0% to 95%

### CERTIFICATIONS

- UL and cUL listed

### WARRANTY

- 5 year warranty
- See [HLI Standard Warranty](#) for additional information

## ORDERING GUIDE

Example: OMNIUS500BP1277

CATALOG #

### Series

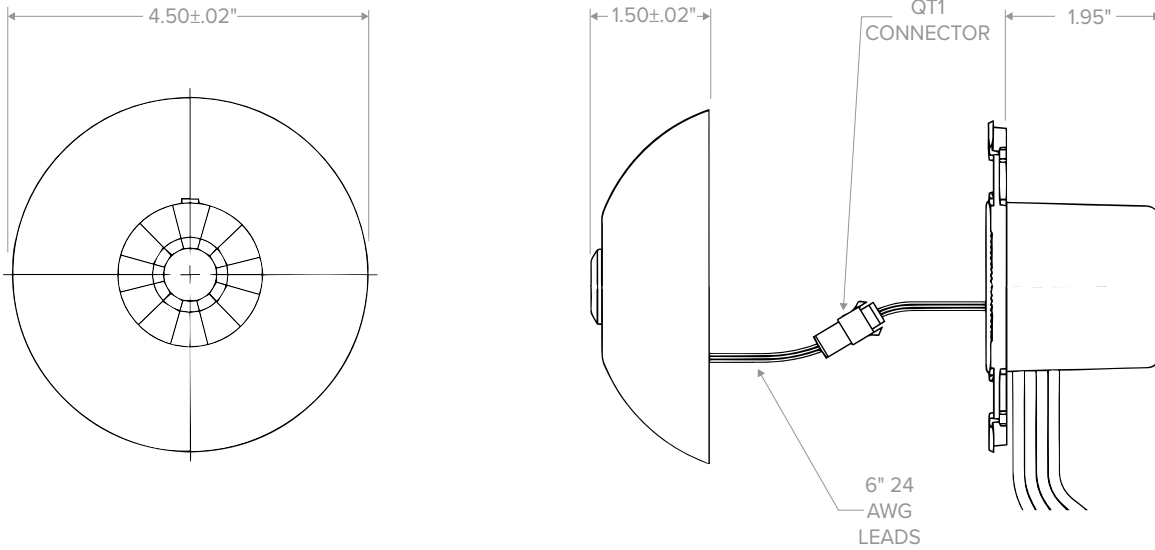
- OMNIUS500BP1277 Line Voltage Ultrasonic Ceiling Sensor 500 sq. ft. coverage
- OMNIUS1000BP1277 Line Voltage Ultrasonic Ceiling Sensor 1000 sq. ft. coverage
- OMNIUS2000BP1277 Line Voltage Ultrasonic Ceiling Sensor 2000 sq. ft. coverage



# OMNI® LINE VOLTAGE ULTRASONIC CEILING SENSOR

CEILING MOUNT OCCUPANCY SENSORS

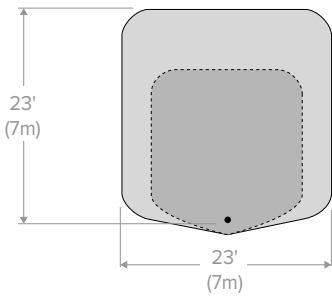
## DIMENSIONS



## ADDITIONAL INFORMATION

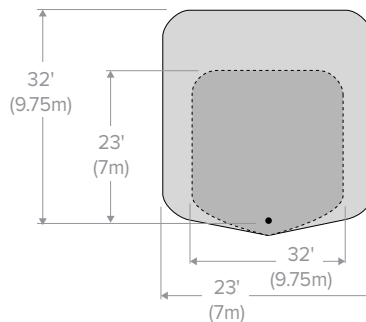
### Coverage Patterns

US 500 Range



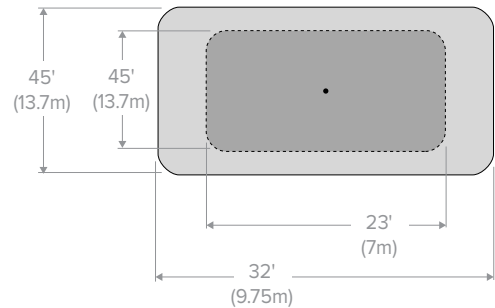
Minor Motion  
 Major Motion

US 1000 Range



Minor Motion  
 Major Motion

US 2000 Range



Minor Motion  
 Major Motion

All product and company names, logos and product identifiers are trademarks™ or registered trademarks® of Hubbell Lighting, Inc. or their respective owners. Use of them does not necessarily imply any affiliation with or endorsement by such respective owners.



# OMNI<sup>®</sup> LINE VOLTAGE ULTRASONIC CEILING SENSOR

CEILING MOUNT OCCUPANCY SENSORS

## ADDITIONAL INFORMATION (CONTINUED)

### Wiring Diagram

Figure 1

