

- ✂ **80Vac – 240Vac input**
- ✂ **48Hz – 62Hz**
- ✂ **12Vdc @ 0.3A-2.5A output**
- ✂ **8hr battery life @ 1.0A load**
- ✂ **IECEX certified**
- ✂ **Configurable output cut off timer**
- ✂ **Remote output control**
- ✂ **Rectangular output characteristic**
- ✂ **Front panel cut off timer reset push button**
- ✂ **Real time clock**
- ✂ **Ethernet, Silbus and Modbus ports**

DESCRIPTION

The Austdac Uninterruptible Power Supply (UPS) type 12/NMH/288 has been designed to provide battery backup for equipment located in hazardous areas that operates from a nominal 12Vdc supply. The UPS can support loads up to a maximum of 2.5A.

The UPS charges its internal battery and supports the load whenever the mains supply is available, the UPS supports the load from the internal battery whenever the mains supply is lost.

A configurable output cutoff timer shuts the load off after a predefined time period to further extend battery life. The load can be repowered after timeout by simply pressing the front panel 'power reset' switch. The timer can be disabled if required.

The output cutoff timer finds application in gas monitoring systems of trailing cable powered road headers or continuous miners.

The output of the UPS can be remotely controlled by the connection of the UPS to an Austdac SILBUS fieldbus system, Ethernet or Modbus port.



Remote control can significantly extend the operation, from hours to weeks, of remote gas monitoring systems when mine power is removed during loss of mine ventilation.

The UPS uses Nickel Metal Hydride cell technology to provide the highest capacity to weight ratio without the troublesome memory effect exhibited by Nickel Cadmium batteries.

Mains input is via an integral 10m long type 2S cable. The load and Silbus, Ethernet and Modbus connections are via terminal blocks and cable gland entry.

CERTIFICATION

The UPS Type 12/NMH/288 is certified for use in Group I hazardous areas under IECEx and ATEX certificate.

IECEX TSA 13.0017X
Presafe 14 ATEX 4350X

Notes:

- See certificates for marking codes and parameters.
- See UPS Type 12/NMH/288 Supplementary Notice on the Austdac website for changes from previous versions.





SPECIFICATION

GENERAL	
Name	Uninterruptible power supply
Type	12/NMH/288
Mains voltage	100Vac – 240Vac
Mains frequency	48Hz – 62Hz
Mains load	0.9A
Mains fuse	2 x 3.15A 600V ceramic 20mm x 5mm HRC 1500A rupturing capacity time lag
Operating temperature	0°C to +40°C
Dimensions	240mm H x 309mm D x 289mm W
Mass	34 kg
Enclosure material	Stainless steel
Battery standby time	8hrs @ 1A load
Battery charge time	14 hours

OUTPUT ENTITY PARAMETERS

UPS Model	Uo	Io	Co	Lo	Lo/Ro
12.6V @ 0.3 - 1.0A	12.6V	1.0A	23uF	60uH	62uH/ohm
12.6V @ 1.1 - 2.5A	12.6V	2.5A	18uF	60uH	25uH/ohm

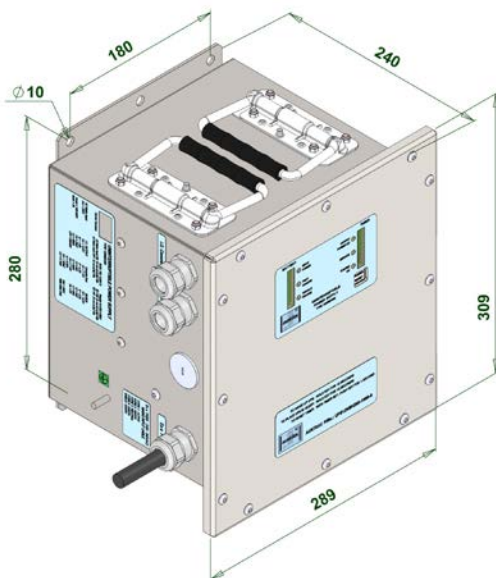
MAINS INPUT ENTITY PARAMETERS

Um 265V

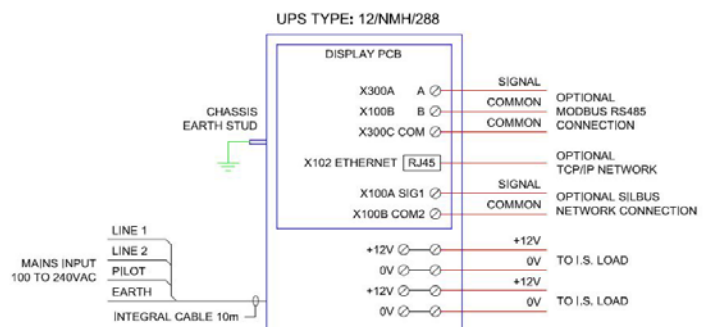
COMMUNICATION PORT ENTITY PARAMETERS

Comm ports	Ui	Uo	li	Io	Ci	Co	Li	Lo	Pi	Um
Console Port	7.14V	7.14V	3.3A	50mA	0uF	100uF	0mH	0.1mH		
Silbus port	12.6V	0V	3.3A		0uF		0mH			265V
Ethernet Port	7.14V	7.14V	480mA	480mA	0.45uF	60uF	0mH	0.1mH	1W	
Modbus port	16.5V	5.88V	3.3A	84mA	0uF		0mH			

DIMENSIONS



CONNECTION DIAGRAM



ORDERING DETAILS

DESCRIPTION	ORDER CODE
UNINTERRUPTIBLE POWER SUPPLY TYPE 12/MNH/288	UPS12NMH288-1000-A



AUSTDAC PTY LTD

HEAD OFFICE: CASTLE HILL AUSTRALIA
 MACKAY QLD AUSTRALIA BRANCH
 NORTH AMERICA BRANCH
 STAFFORDSHIRE UK BRANCH

+61 (0) 2 8851 5000
 +61 (0) 7 4955 2777
 +1 888 254 9155 (Toll Free in US and Canada)
 +44 (0) 1283 500 500

