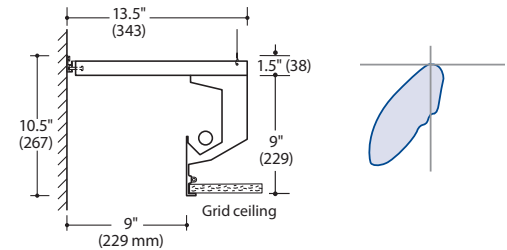


Fixture Type:

Project Name:

Ordering Guide

Feature	Code	Options	Description
Series		20	Wall/Slot® 2000
Row length (in feet)		____'	Enter in foot increments. Note fixture lengths below
Max length in row		02 03 04 06 08	2', 572mm 3', 872mm 4', 1172mm 6', 1743mm 8', 2343mm
Finish/Color		C1	Matte White
Lamps in cross-section		T5 T5HO T8	1-Light T5 Lamping 1-Light T5HO Lamping 1-Light T8 Lamping
Ballast (non-dimming T5/HO)		NPN	Electronic, program-start
Ballast (non-dimming T8)		NIN NPN NIL NPL NIH NPH	Electronic Electronic, program-start Electronic, low-wattage Electronic, low-wattage, program-start Electronic, high light output Electronic, high light output, program-start
Ballast (dimming)		010V LVD DALI LLS	0-10V Dimming Line Voltage Dimming Dali System Light Level Switching 50/100 See <i>Ballast</i> section for additional dimming ballast options
Circuiting		1C AC AF	1 Circuit Alternate Lamp Compartment Switch Alternate Fixture Switching
Voltage		UNV 120 240 277	Universal Voltage 120 Volt 240 Volt 277 Volt
Straight run termination		_EC _SE	End Cap. Enter quantity. Straight Extension, 2"-12". Enter quantity. 24" Length also available, contact factory
Optional Features	Code	Options	Description
Performance Reflector		PR	Parabolic Reflector
Fuse		F	Fuse
Chicago Environmental Air Modification		CCEA	Chicago Environmental Air Modification
Patterns		PTRN	Contact Factory for pattern configuration. Approval drawings required. See page 2.
Nightlight		_NL	Nightlight Circuit Required. Enter quantity. 2NL = 2 nightlight circuits/row
Emergency		_EF	Emergency Battery Required. Enter quantity. 2EF = 2 emergency batteries/row
Automatic Transfer Switch		_ATS	Automatic Transfer Switch Required. Enter quantity. 2ATS = 2 automatic transfer switches/row
Thru-wiring		W1 W2 W3 W4	No Thru Wire Provide Normal and Emergency Thru Wiring* Provide Normal Thru Wiring Only Provide Emergency Thru Wiring Only *Only applicable when specified with emergency



Key Features

- Floating ceiling effect
- Zero lamp visibility

Details

Construction:

Fixture Housing: Die-formed steel. Support chain attachments are spaced at two foot increments (approx.) for 2', 4' and 8' fixtures. Spaced 1 1/2' (approx.) for 3' and 6' fixtures. Contact factory for details.

Plenum Cover:

Die-formed steel. Features continuous hook-and-lock feature for quick, reliable installation.

Fixture Support Rail:

Extruded aluminum wall-mounted rail that provides fixture support and, along with provided splines, ensures fixture alignment. Provides reveal at wall to compensate for wall construction irregularities. White color.

Ceiling Trim:

Extruded aluminum with internal splines to ensure alignment.

Finish/Color:

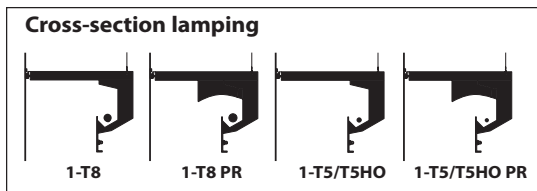
Visit www.litecontrol.com/finishes for details.

Distribution:

0/100 (1-lamp) direct

Lamping:

Available in one-lamp T8, T5 and T5HO cross-sections.



Ballast:

Low-profile Ballast (ELB/PS), electronic, high power factor, thermally protected Class P, Sound Rated A, less than 10% THD, manufactured by a UL Listed manufacturer, as available, determined by Litecontrol. Ballasts with a voltage range of 120 to 277 will be used when fixture configuration and ballast availability allow. The minimum number of ballasts will be used.

Additional Dimming Ballast Options:

LE30	Lutron EcoSystem-3 Wire	(Normal Ballast Factor)
LEH0	Lutron EcoSystem-H Series	(Normal Ballast Factor)
LEH7	Lutron EcoSystem-H Series	(High Ballast Factor)
LEI0	Lutron EcoSystem-Intelligent	(Normal Ballast Factor)
LH3D	Lutron HiLume 3D-3 Wire	(Normal Ballast Factor)
LH37	Lutron HiLume 3D-3 Wire	(High Ballast Factor)
LHID	Lutron HiLume-3D Intelligent	(Normal Ballast Factor)
LHI7	Lutron HiLume-3D Intelligent	(High Ballast Factor)

Circuiting:

1C (1 Circuit) Fixture wired for a single circuit.
AC (alternate lamp compartment switching) Fixtures wired so every other lamp section can be separately switched/dimmed
AF (alternate fixture switching) Fixtures wired so every other fixture segment can be separately switched/dimmed.

Nightlight:

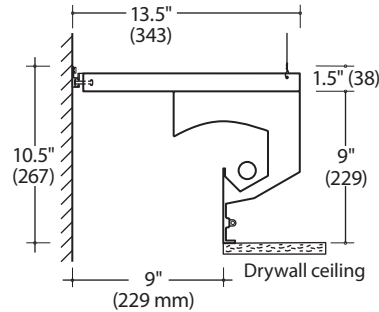
See separate LC-Nightlight spec sheet for additional details.

Emergency:

Battery-powered ballast from a listed manufacturer will operate one lamp for 90 minutes.

Parabolic Reflector (PR):

Parabolic reflector, die-formed, hammertone, low-iridescence semi-specular aluminum, precisely shaped for maximum downward light projection. It is shielded from all viewing angles from 0° to 60° below horizontal. Straight reflector portions are steel, finished in high-reflectance white for uniform light distribution. Positioned above source only—does not extend through system connectors.



Fuse:

Slow or fast blow; determined by Litecontrol.

Thru wiring:

See separate LC-Thruwire spec sheet for additional details.

Ratings:

UL listed for damp locations. IBEW. AF of L. IC Rated.

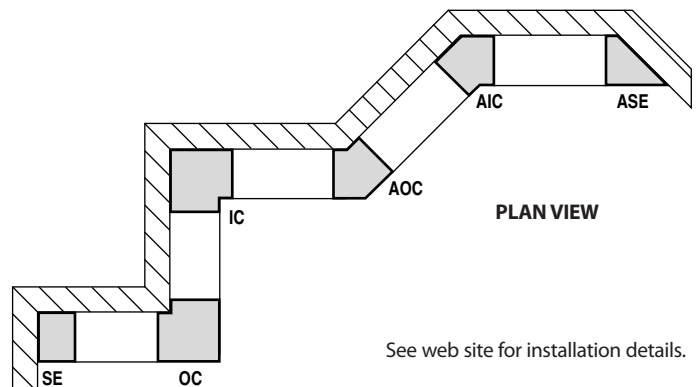
Warranty:

1 year

See www.litecontrol.com for details

Pattern - System Connectors

_EC	End Cap kit. Quantity Required.
_SE	Straight Extension, 2"-12". Quantity Required.
_IC	90° Inside Corner, 14"-23". Quantity Required.
_OC	90° Outside Corner, 2"-11". Quantity Required.
_ASE	135° Angular Straight Extension, 2"-11". Quantity Required.
_AIC	135° Angular Inside Corner, 7"-16". Quantity Required.
_AOC	135° Angular Outside Corner, 2"-11". Quantity Required.
	24" Length also available, contact factory



See web site for installation details.

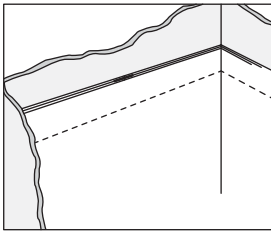
Details (continued)

Planning for installation

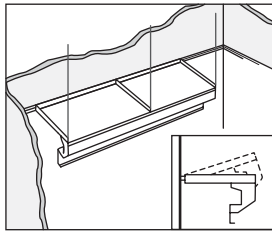
Finished wall should extend 11" above ceiling. Locate bottom of Fixture Support Rail 9 9/32" up from bottom of ceiling for Lay-in Grid T-bar ceilings. Extruded trim of fixtures supports ceiling tiles at perimeter; elsewhere ceiling construction must be supported independently of the lighting system.

Fixtures must be installed prior to hanging ceiling.

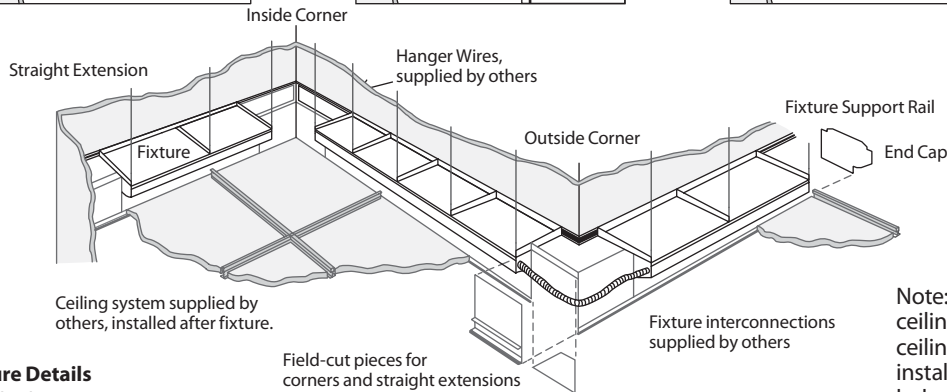
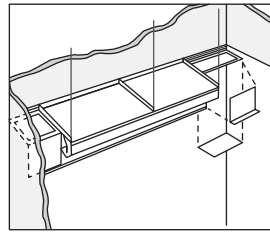
1. Install Fixture Support Rails on wall.



2. Hook fixtures on rail and slide into position. Attach hanger wires.



3. Install extensions and corners.



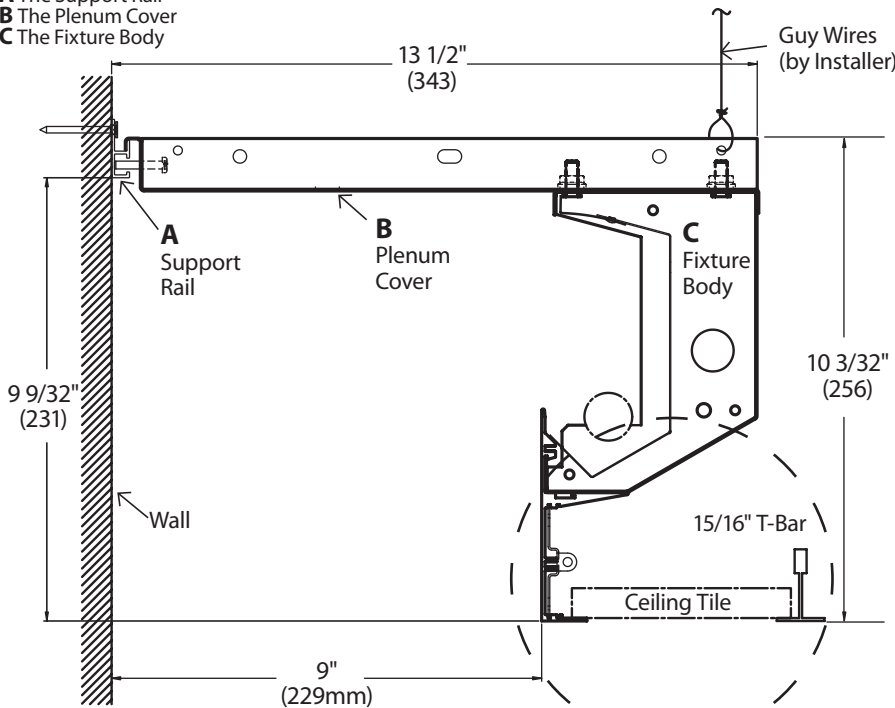
Ceiling system supplied by others, installed after fixture.

Fixture interconnections supplied by others

Fixture Details

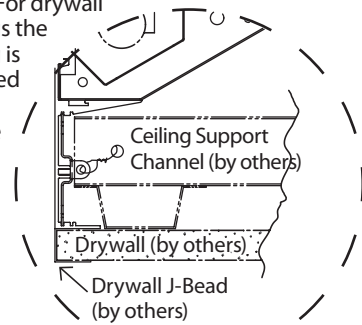
Standard Parts:

- A The Support Rail
- B The Plenum Cover
- C The Fixture Body

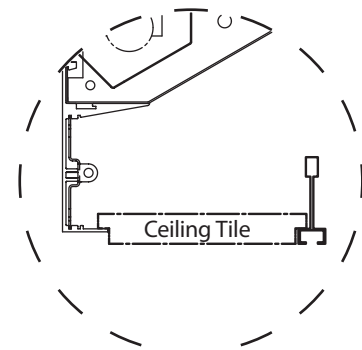


15/16" Grid Ceiling Detail

Note: For drywall ceilings the ceiling is installed below fixture



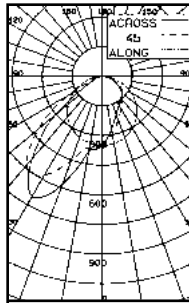
Drywall/Plaster Ceiling Detail



9/16" Screw Slot Grid Ceiling Detail

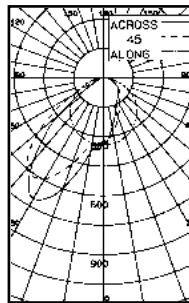
Photometry

Fixture: 20-C1-T8
Lamping: 1-T8
Efficiency: 37.61%
Wall Reflectance: 70%
Distribution: 0/100
Test report: 14711001



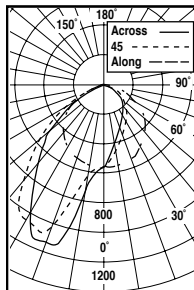
ZONAL LUMEN SUMMARY			
ZONE	LUMENS	% LAMP	% LUMINAIRE
180-90°	0	0.0	0.0
90-0°	1090	37.61	100
180-0°	1090	37.61	100

Fixture: 20-C1-T8
Lamping: 1-T8
Efficiency: 36.05%
Wall Reflectance: 50%
Distribution: 0/100
Test report: 14711000



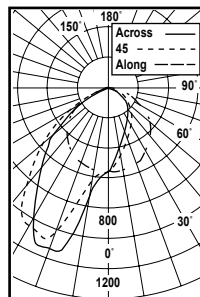
ZONAL LUMEN SUMMARY			
ZONE	LUMENS	% LAMP	% LUMINAIRE
180-90°	0	0.0	0.0
90-0°	1045	36.05	100
180-0°	1045	36.05	100

Fixture: 20-C1-T5HO
Lamping: 1-T5HO
Efficiency: 34.14%
Wall Reflectance: 50%
Distribution: 0/100
Test report: 14716000



ZONAL LUMEN SUMMARY			
ZONE	LUMENS	% LAMP	% LUMINAIRE
180-90°	0	0.0	0.0
90-0°	1706	34.14	100.00
180-0°	1706	34.14	100.00

Fixture: 20-C1-T8-PR
Lamping: 1-T8
Efficiency: 44.35%
Wall Reflectance: 70%
Distribution: 0/100
Test report: 24311001



ZONAL LUMEN SUMMARY			
ZONE	LUMENS	% LAMP	% LUMINAIRE
180-90°	0	.00	.00
90-0°	1286	44.35	100
180-0°	1286	44.35	100