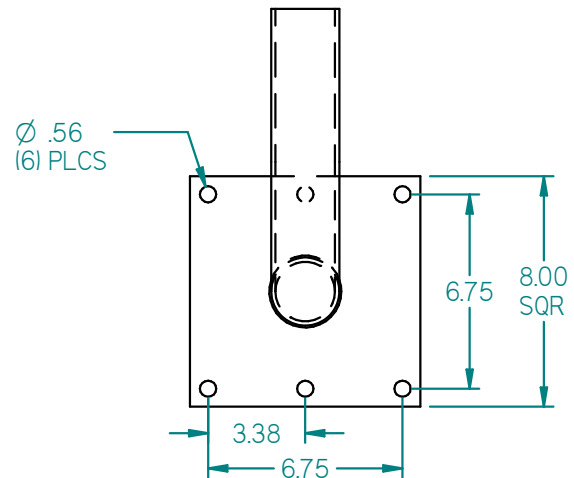
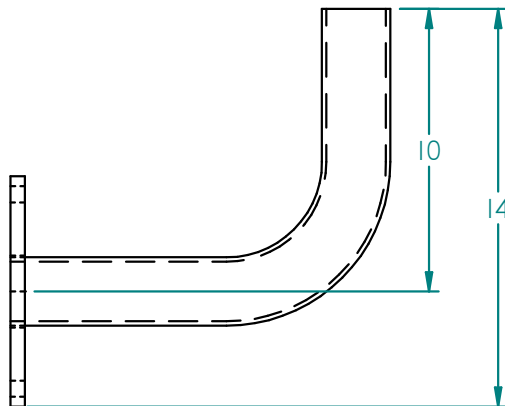
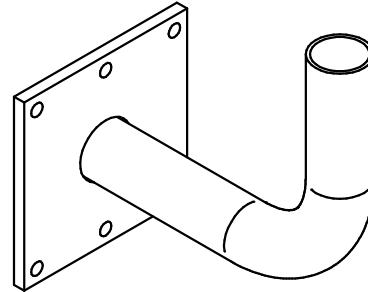
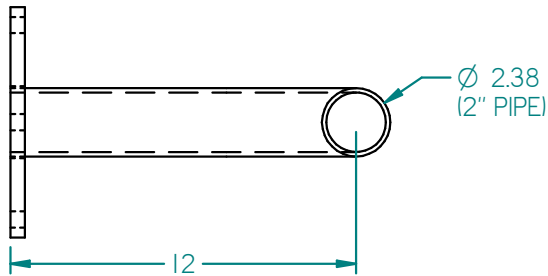


241-C - 90° Horn Flat Surface Bracket

TENON BRACKETS AND ARMS ACCESSORY



Compatible with: Fixtures with knuckle



Mounting Notes:

1. Place accessory onto mounting surface in desired position and mark surface for (6) mounting holes.
2. At marked positions, drill and install (6) 1/2" anchors that are appropriate for the surface material.
3. Place accessory onto mounting surface and align with anchors.
4. Using (6) 1/2" fasteners, secure accessory to mounting surface.

Shipping Package Contents:

241-C Bracket (1)
Mounting Hardware NOT Provided

Material: Steel

Finish: Powder Paint

Weight: 14 lbs

EPA: .15 ft²