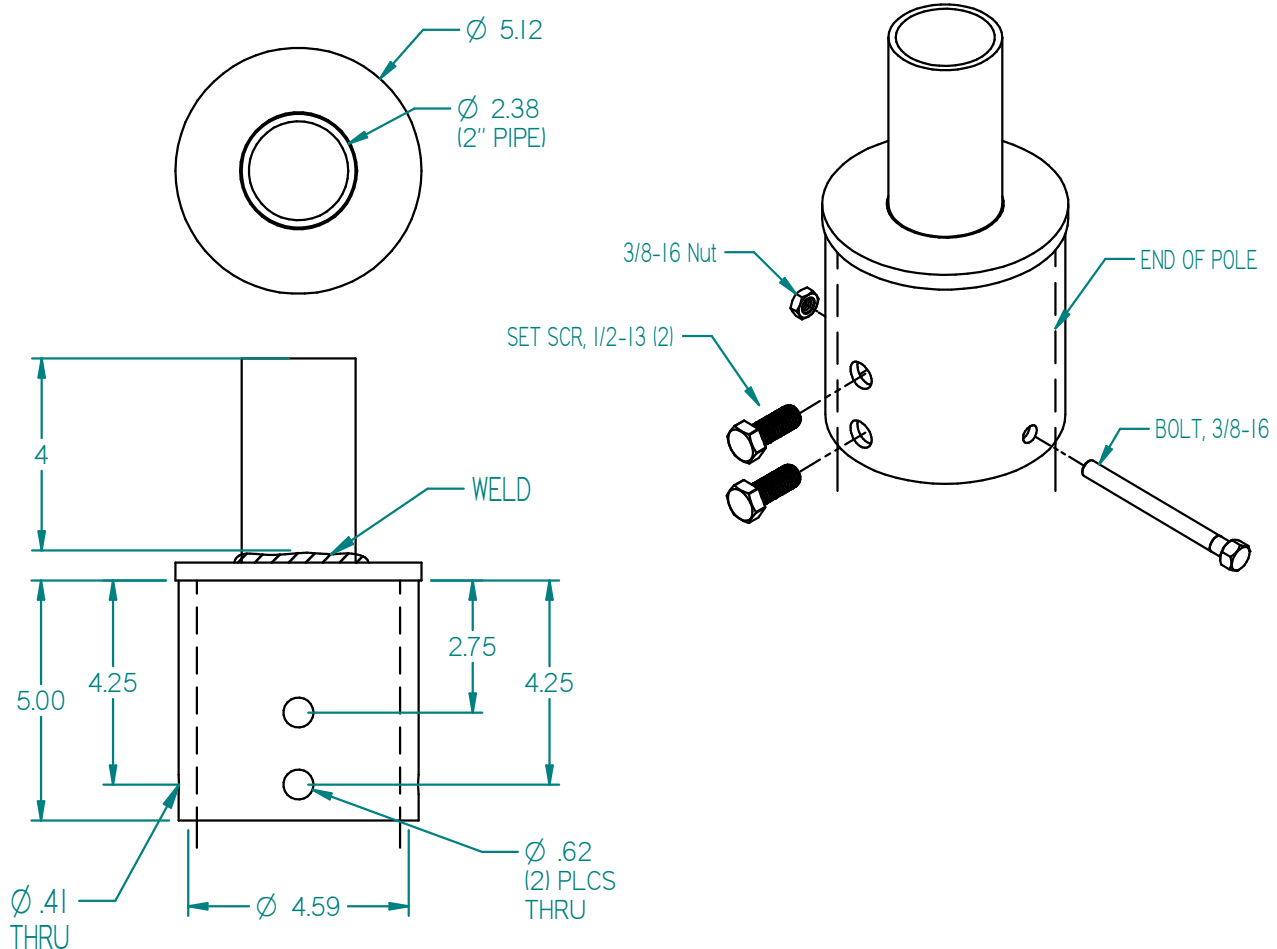


285-B-4 - 4.5" to 2.38" Reducer

TENON BRACKETS AND ARMS ACCESSORY



WARNING: To avoid damaging supply wiring, drill all necessary holes in poles, arms, or mounting brackets BEFORE pulling supply wires.



Mounting Notes:

1. Place tenon reducer over end of pole.
2. In case of missing holes on pole, drill appropriately sized holes at distances referenced in figure above.
3. Insert bolt through tenon reducer and pole, and secure with nut.
4. Install (2) set screws until contact with inner pole.

Shipping Package Contents:

285-B-3 Tenon Reducer (1)
3/8-16 Bolt (1)
1/2-13 Set Screw (2)
3/8-16 Nut (1)

Material: Steel

Finish: Powder Paint

Weight: 7.5 lbs