

Catalog #3301DB

MC CABLE DOUBLE BITE SADDLE CONNECTORS

STRAIGHT DOUBLE BITE SADDLE CONNECTORS STEEL

FEATURES

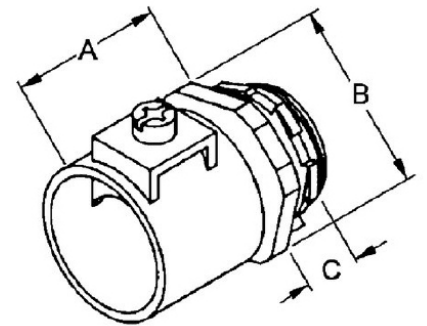
- Straight connectors have all steel construction that ensures mechanical protection for raceways
- Straight connectors are available in 3/8 in. to 4 in. trade sizes
- 90 degree connectors have malleable iron and steel construction for added strength
- 90 degree connectors are available in 3/8 in. to 1 in. trade sizes
- Dual saddle clamp ensures proper conduit and cable connection for raceway
- Zinc plated for corrosion protection
- Tri-head screw/clamp design - connectors can be installed by using a slotted, Phillips, or Robertson head screwdriver
- Insulated throats on all Double Bite connectors provide maximum wire protection



APPLICATIONS

Use 3/8 in. to 1 in. RACO Double Bite Saddle connectors in dry locations to connect flexible metal conduit, MCI, MCI-A, and AC cable to a box or enclosure

Use 1-1/4 in. to 4 in. in dry locations to connect flexible metal conduit to a box or enclosure



CERTIFICATIONS



Standard 514B, File E195974

Standard 514B, File E195975

NEMA

NEMA FB-9

NEMA FB-10

GENERAL PRODUCT INFORMATION

TRADE SIZE: 3/8 IN.

DRAWING DIMENSIONS

DIMENSION A: 1-3/16 IN.

DIMENSION B: 1-1/4 IN.

DIMENSION C: 1/2 IN.

PACKAGING

PACKAGE TYPE:	Carton
SHIP CARTON QTY.:	50
PRODUCT UPC-A LABELED:	No
WEIGHT (LBS. PER/C):	14.80
SHIP CARTON LENGTH (IN.):	7.50
SHIP CARTON WIDTH (IN.):	5.80
SHIP CARTON HEIGHT (IN.):	3.50
CTN WEIGHT (LBS.):	7.40
UPC NUMBER:	050169533017
I2OF5:	50050169533012