

Project Name _____

Catalog No. _____ Date _____

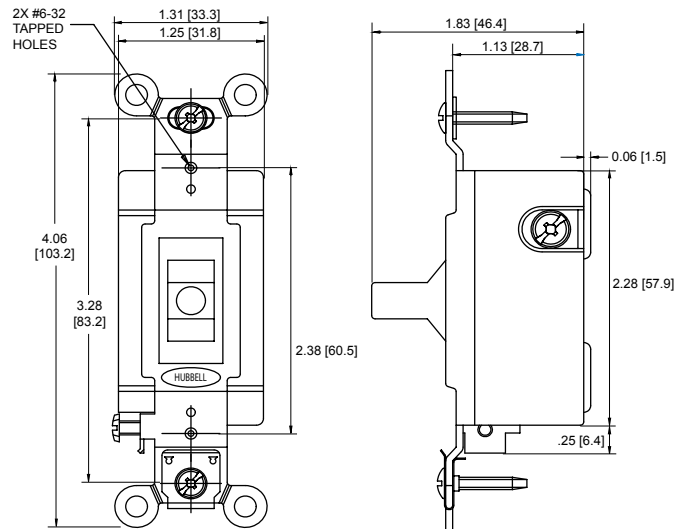


Our LVS1HD heavy duty wall switch is ideal for high abuse applications where standard plastic low voltage wall switch stations are not suitable. The LVS1HD looks like a standard wall switch except has a spring loaded "return to center" toggle action that can be connected to lighting controls expecting a dry contact momentary input.

Product Features

- Gang-able, uses standard switch plate (not supplied)
- Abuse resistant nylon toggle
- UL 94V-2 flammability rating
- Heavy duty Silver Alloy contacts
- Compatible with CX panel low voltage inputs
- Use NXCI Contact Interface module for compatibility with NX™ distributed controls
- UL listed, CSA certified
- Low voltage device: 24 VDC

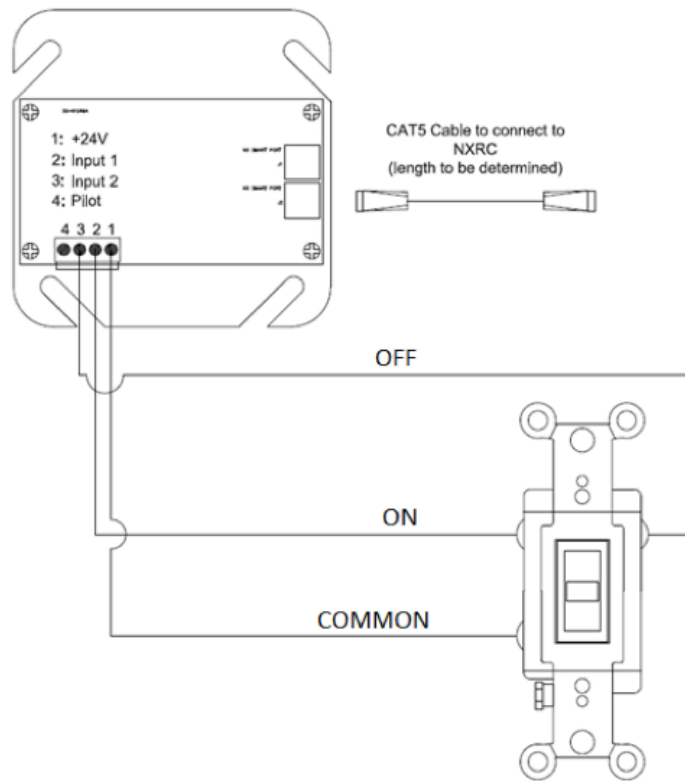
Dimensional Data



Ordering Information

LVS1HD		_____	
MODEL		COLOR	
LVS1HD	Heavy Duty Low Voltage Wall Switch	WH	White
		IV	Ivory
		GY	Grey

Wiring Diagram



General Specifications

Construction	Top Material	Thermoset
	Base Material	Thermoset, Blue
	Toggle Material	Nylon
	Contacts	Silver Alloy
	Terminal Screws	Brass
	Ground Screw	Brass (Green)
Electrical	Dielectric Voltage	Withstands 1500VAC minimum for 1 minute
	Max. Continuous Current	15A
	Max. Working Voltages	277VAC
	Overload	Minimum 4.8 times rated current for 100 cycles
	Temp. Rise	30°C maximum at rated current
Mechanical	Terminal Accomodations	#14AWG min. - #10AWG max. Solid and Stranded copper wire only
Environmental	Flammability	UL94V-2
	Operating Temperature:	Max. continuous: 75°C; Min. continuous: -40°C without impact
Certifications	UL Listed	
	CSA Certified	
	Fed. Spec. W-5-896	