

DATE: _____ LOCATION: _____
 TYPE: _____ PROJECT: _____
 CATALOG #: _____

NXSW SERIES

SMART SWITCHES



FEATURES

- Attractive, architecturally-pleasing decorator style design
- Gang-able with other decorator type devices
- Up to six buttons in a single gang
- Plug and play integration with NX SmartPORT™
- Low voltage device: 24 VDC
- Delivers simplified configuration and control of Hubbell Lighting luminaires using SpectraSync™ color tuning technology
- Five-year limited warranty



CONTROL TECHNOLOGY



RELATED PRODUCTS

- [NX Room Controller](#)
- [controlHUBB Mobile App](#)
- [NX Network Bridge Module](#)
- [NX Specialty Wall Stations](#)
- [NX CCT Wall Station](#)
- [NX Bluetooth® Radio Bridge](#)

SPECIFICATIONS

CONSTRUCTION

- Housing - Rugged, high impact, injection molded plastic
- White, Ivory, Light Almond, Gray and Black color options available
- 1.6 oz (45.36 g)
- 4.2" L (106.68mm) x 1.6" W (40.64mm) x 1.4" D (35.65mm)

MOUNTING

- Switches may be mounted individually in a single gang switch box or ganged together in a multi-gang switch box
- Decorator-style wall plates available separately

ELECTRICAL

- Powered by NX SmartPORT using plenum rated Cat5 cables (ordered separately)
- Standby Power (W)
 - 120VAC: 0.1
 - 277VAC: 0.1
 - 347VAC: 0.1

OPERATING ENVIRONMENT

- Indoor use only
- Operating temperature: 32° to 104°F (0° to 40° C)
- Relative humidity (non-condensing): 0 to 95%

CERTIFICATIONS

- Patent(s) Pending

CERTIFICATIONS (CONTINUED)

- This product qualifies as both (i) a "domestic construction material" per FAR §52.225-9 Buy American-Construction Materials and a "(COTS) item" per FAR §2.101 and (ii) a "designated country construction material" per FAR 52.225-11 Buy American-Construction Materials under Trade Agreements effective 5/27/2020. See [Buy American Solutions](#).
- This product qualifies as "designated country construction material" per FAR 52.225-11 Buy American-Construction Materials under Trade Agreements effective 5/27/2020. See [Buy American Solutions](#).

WARRANTY

- 5 year limited
- See [HCS Standard Warranty](#) for additional information

ORDERING GUIDE

Example: NXSW-1-WH-U

CATALOG #

NXSW	Switch Type	Color	BAA/TAA*
Model			
NXSW NX Smart Switch	1 1 Toggle Button 2 2 Toggle Button 3 3 Toggle Button 4 4 Toggle Button 6 6 Toggle Button	Blank White IV Ivory LA Light Almond GY Gray BK Black	Blank Standard Product U BAA T TAA

*Buy American Solutions	
BAA FAR §52.225-9	TAA FAR §52.225-11
NXSW-1-WH	
NXSW-2-WH	
NXSW-4-WH	
NXSW-6-WH	

NXSW SERIES

SMART SWITCHES

ORDERING GUIDE

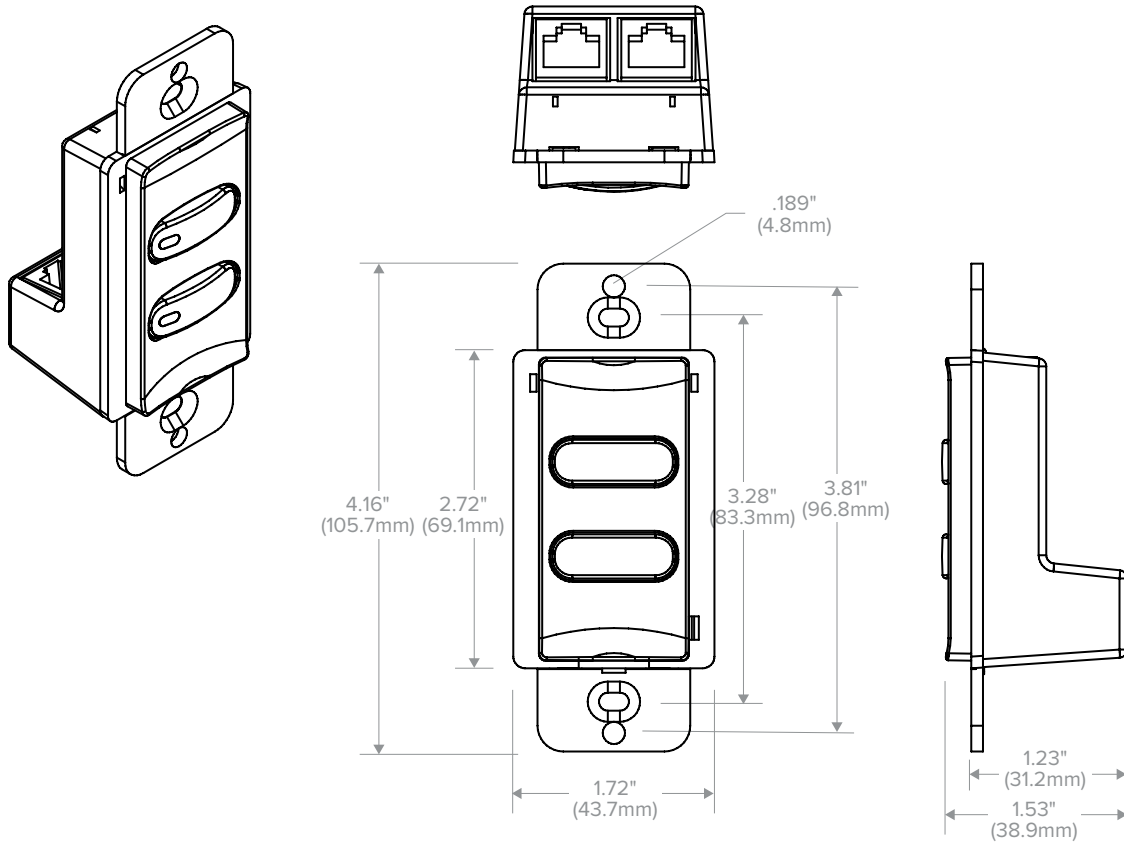
CATALOG #

Model/Description	
CAT5-3IN-OR-PLENUM	CAT5 Cable for NX SmartPORT™ Devices, Plenum Rated, 3in, Orange
CAT5-3F-OR-PLENUM	CAT5 Cable for NX SmartPORT™ Devices, Plenum Rated, 3ft, Orange
CAT5-10F-OR-PLENUM	CAT5 Cable for NX SmartPORT™ Devices, Plenum Rated, 10ft, Orange
CAT5-25F-OR-PLENUM	CAT5 Cable for NX SmartPORT™ Devices, Plenum Rated, 25ft, Orange
CAT5-50F-OR-PLENUM	CAT5 Cable for NX SmartPORT™ Devices, Plenum Rated, 50ft, Orange
CAT5-100F-OR-PLENUM	CAT5 Cable for NX SmartPORT™ Devices, Plenum Rated, 100ft, Orange



Cat5 Cable

DIMENSIONS



NXSW SERIES

SMART SWITCHES

ADDITIONAL INFORMATION

Setup and Configuration

Models: NXSW-1, NXSW-2, NXSW-3, NXSW-4, NXSW-6

As shipped, all buttons on these stations are configured as Toggle type (press for on/press for off) with LED status. The buttons can be configured for alternate operation using the NX Device Setup App.

BUTTON TYPES	
Toggle	Sends group ON/group OFF, factory configuration
On	Sends group ON to full level, relay control is optional
Off	Sends group OFF to minimum level, relay control is optional
Single Button On/Off	Sends group ON to level/group OFF to level, relay control is optional
Raise	Raise dimming level
Lower	Lower dimming level
Preset	Activate a preset scene, 1 – 16
Timed On	Sends ON with selectable timeout to OFF
CCT On	Sends ON, level, and sets color
CCT Off	Sends OFF, level, and sets color
CCT Raise	Increase color temperature
CCT Lower	Lower color temperature
Partition	Sends room combine/separate message
On/Raise/Lower/Off	Touch for ON, hold for raise/lower, touch for OFF



NXSW-1



NXSW-2



NXSW-3

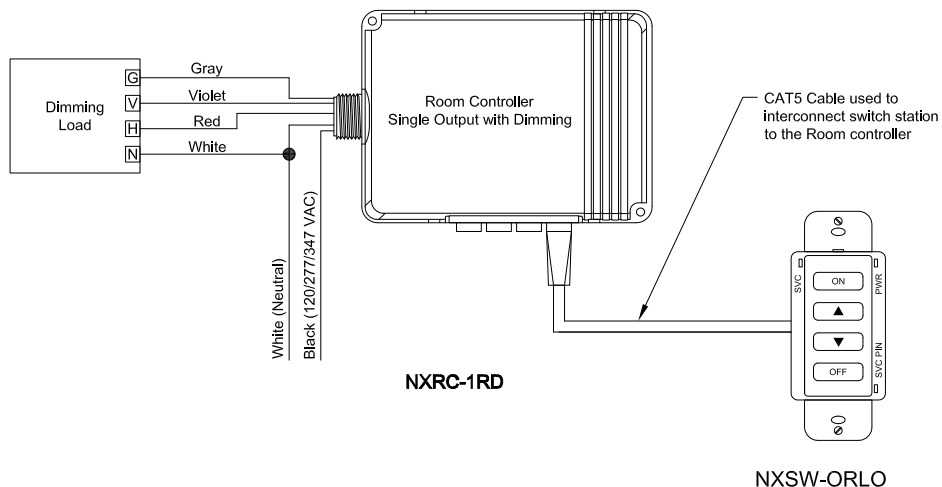


NXSW-4



NXSW-6

Wiring Diagrams



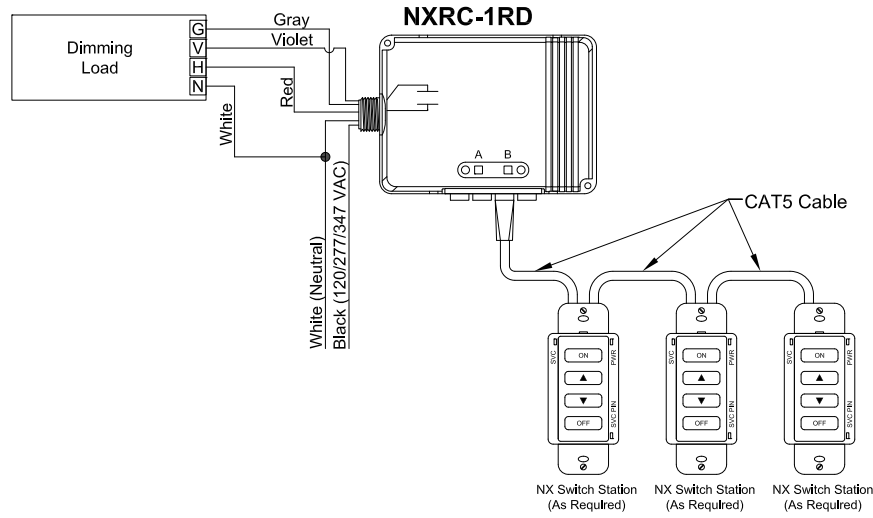
NXSW WALL STATION WITH NX ROOM CONTROLLER

NXSW SERIES

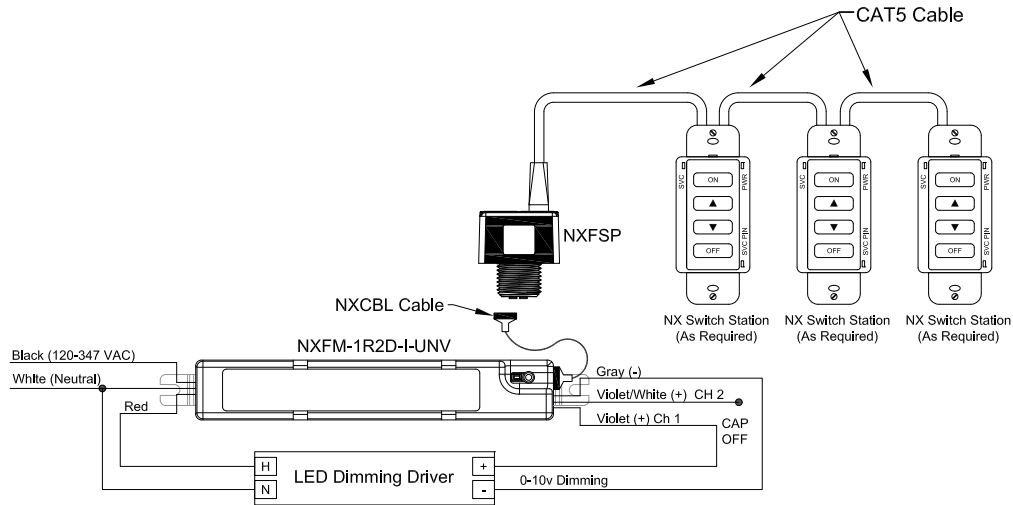
SMART SWITCHES

ADDITIONAL INFORMATION (CONTINUED)

Wiring Diagrams



MULTIPLE NXSW WALL STATIONS DAISY CHAINED WITH NX ROOM CONTROLLER



MULTIPLE NXSW WALL STATIONS DAISY CHAINED WITH NX ENABLED LUMINAIRE