

Wall Mount Occupancy Sensors

NX DISTRIBUTED INTELLIGENCE™



Project Name _____

Catalog No. _____ Date _____

Our NX Wall Mount Occupancy Sensors employ Passive Infrared and Ultrasonic sensing technologies to turn lighting on and off based on occupancy. These sensors represent the state-of-the-art in sensor technology and are designed to provide accurate turn-on while virtually eliminating false-offs.

The sensors feature Hubbell Control Solutions' patented IntelliDAPT™ technology, which makes all the sensor adjustments automatically. Throughout the product's lifespan, smart software analyzes the controlled area and makes digital adjustments to sensitivity and timer settings. Occupancy sensors with IntelliDAPT provide a maintenance-free, install and forget operation. All NX Series Occupancy Sensors provide plug-and-play integration with the wired and wireless NX Room Controllers.

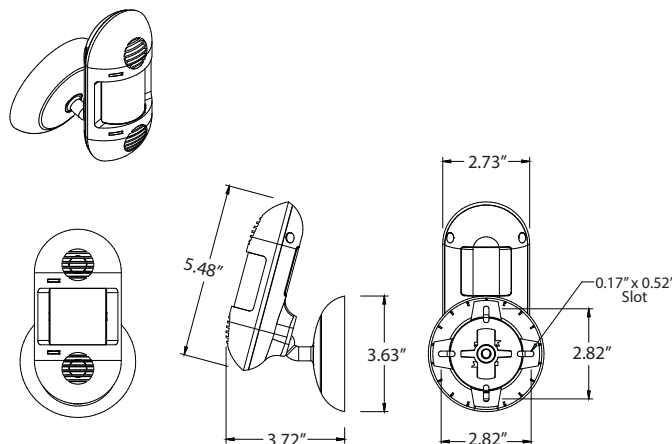
Product Features

- IntelliDAPT self-adaptive technology – no manual adjustment required
- Occupancy or vacancy operation selectable per load when used with the NX Room Controller
- All-digital sensor
- Non-volatile memory for sensor settings
- 500 to 2,500 square-foot coverage area (based on model)
- Plug and play integration with NX Room Controller
- UL and cUL listed
- Low voltage device: 24 VDC
- Five-year limited warranty

Compliance and Certification



Dimensional Data



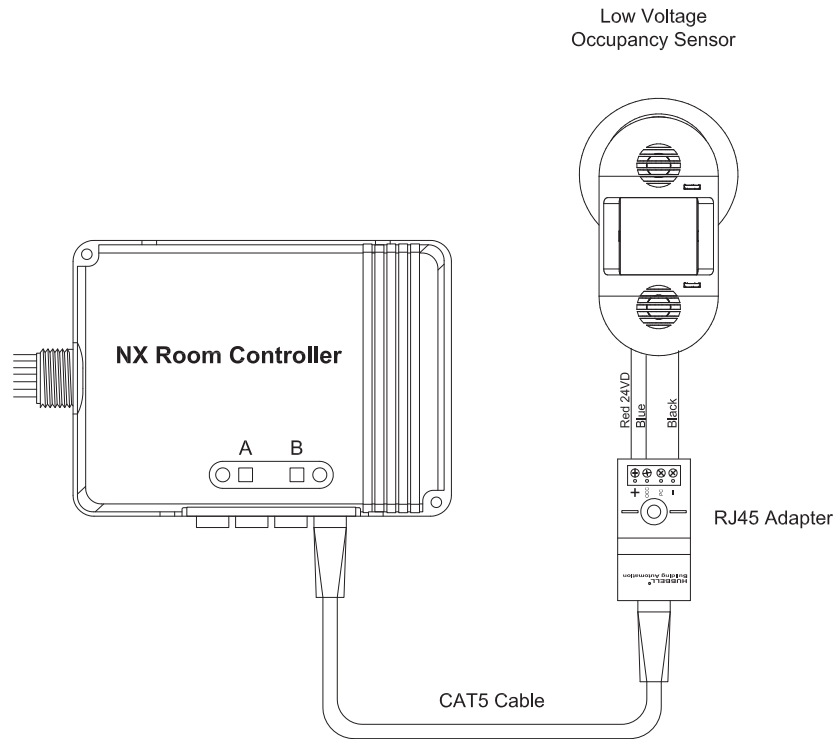
Ordering Information

NXOS	—	RELAY
MODEL		RELAY
NXOS-LODT	Dual Tec, wall mount, PIR and Ultrasonic, 1600 sq ft	Blank No Relay R Form C Relay

All NXOS sensors include CAT5 adapter, model RJ45ADAPTER

Note: other HCS sensors may be used with the NXRC room controllers. Order RJ45ADAPTER separately.

Wiring Information



General Specifications

IntelliDAPT® Technology	Auto reset from test setting Self-adjusting timer Self-adjusting ultrasonic and passive infrared thresholds Automatic false-on, false-off corrections
LED Indicators	Red: motion detected by Passive Infrared sensing technology Green: motion detected by Ultrasonic sensing technology
Timer Timeout	Automatic mode: 8-30 min. (self-adjusts based on occupancy) Test mode: 8 seconds (for an easy check installation)
Ultrasonic Output	Maximum amount of radiation output allowed: 115dB @ 1 ft. [0.30 m] from source Frequency: 32.768kHz or 40kHz (based on model)
Passive Infrared	Dual element pyrometer and 12 element cylindrical rugged lens
Coverage	Major Motion: 2500 sq ft, Minor Motion: 800 sq ft
Power Requirements	Powered by NX Room Controller using plenum rated CAT5 cables (ordered separately)
Operating Environment	Indoor use only Operating Temperature: 32° to + 104° [0° +40°] Relative humidity (non-condensing): 0 to 95%
Construction	Casing - rugged, high-impact, injection-molded plastic KJB ABS Cyclac (UV-945VA) flame class rating, UV inhibitors
Dimensions	Wall Sensor: 3.72" [94.49 mm] D, 6.58" [167.13 mm] H, 3.63" [85.34 mm] W
Weight	5 oz [142g]
Color	Off White
Mounting	Mounting base provided Recommended MAX mounting height: 12 ft. [3.66 m]
Patents	U.S. Patents: 615129, 5946209, 5699243, 5640143, 6078253, D404326, 6222191, 5986357, 6759954 Patent(s) Pending
Certifications	UL and cUL listed
Warranty	Five-year limited