

NXOS SERIES

CEILING MOUNT OCCUPANCY SENSORS

FEATURES

- IntelliDAPT™ self-adaptive technology - no manual adjustment required
- Occupancy or vacancy operation selectable per load when used with the NX Room Controller
- All-digital dual technology Ultrasonic (US) and Passive Infrared (PIR) sensor
- Non-volatile memory for sensor settings
- 500 to 2,000 square-foot coverage area (based on model)
- Plug and play integration with NX Room Controller
- Low voltage device: 24 VDC
- Five-year warranty



CONTROL TECHNOLOGY



SPECIFICATIONS

CONSTRUCTION

- 5.0 oz. (142g)
- Off-white
- Ø4.0" x1.5" H (Ø 114.3mm x 38.1mm H)
- Casing- rugged, high-impact, injection-molded plastic KJB ABS
- Cicolac (UL-945VA) flame class rating, UV inhibitors
- Color-coded leads are 6" long (152.4 mm)
- Dual-element pyrometer and 12-element cylindrical segmented Fresnel lens, integral filter excludes excess PIR energy from sunlight
- Red LED Lamp - infrared motion
- Green LED Lamp - ultrasonic detection

MOUNTING

- Mounting base provided
- Recommended mounting height: 8ft (2.44m) with a max mounting height of 12ft (3.66m)

ELECTRICAL

- 24VDC, 33mA (uses NX Room Controller with plenum rated Cat5 Cable, not included)
- OMNIDT500: 40kHz output
- OMNIDT1000 and OMNIDT2000: 32kHz

OPERATION

- IntelliDAPT Technology
 - Auto reset from test setting
 - Self-adjusting timer
 - Self-adjusting passive infrared thresholds
 - Automatic false-on/false-off corrections
- Coverage
 - Coverage: 500 - 2,000 square feet (152.4 - 609.6 square meters)
- Timer Settings
 - Automatic mode: 8–30 min. (self-adjusts based on occupancy)
 - Test mode: 8 seconds (for an easy check at installation)
- R Option
 - Relay: N/O + N/C contacts; SPDT; 500 mA rated @ 24VDC; three-wire isolated relay

OPERATING ENVIRONMENT

- Indoor use only
- Operating temperature: 32° to 104°F (0° to 40°C)
- Relative humidity (non-condensing): 0% to 95%

RELATED PRODUCTS

- [NX Room Controller](#)
- [NX Network Bridge Module](#)
- [NX Smart Switches](#)
- [controlHUBB Mobile App](#)
- [NX Specialty Switches](#)
- [NX Bluetooth® Radio Bridge with Real Time Clock](#)



NXOS SERIES

CEILING MOUNT OCCUPANCY SENSORS

ORDERING GUIDE

Example: NXOS-OM-DT2-U

CATALOG #

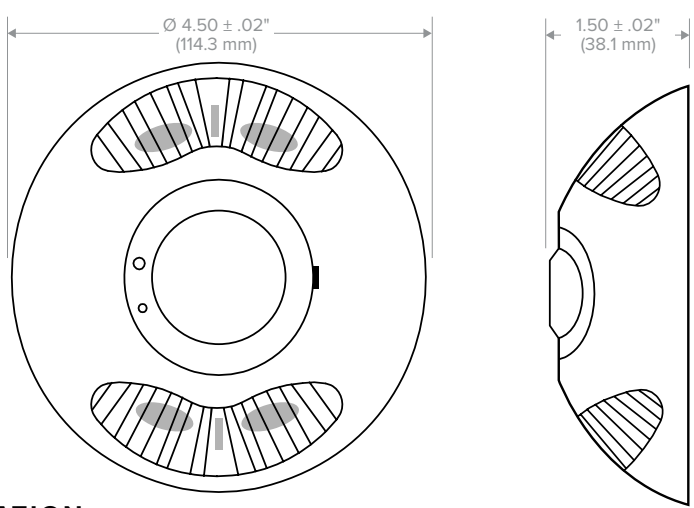
NXOS	OM	Technology - Range	R	BAA/TAA*
Model	Mounting Type		Relay	
NXOS NX Occupancy Sensor	OM Ceiling Mount	DT5 Dual Tech, PIR and Ultrasonic, 500 sq ft DT1 Dual Tech, PIR and Ultrasonic, 1,000 sq ft DT2 Dual Tech, PIR and Ultrasonic, 2,000 sq ft US2 Ultrasonic, 2,000 sq ft	R Form C Relay (Blank) No Relay	Blank Standard Product U BAA T TAA

Notes:

- Other HCS sensors may be used with the NX Room Controllers(RJ45 Adapter must be ordered separately with standard HCS Sensors)
- All NXOS sensors include Cat5 adapter, model RJ45ADAPTER

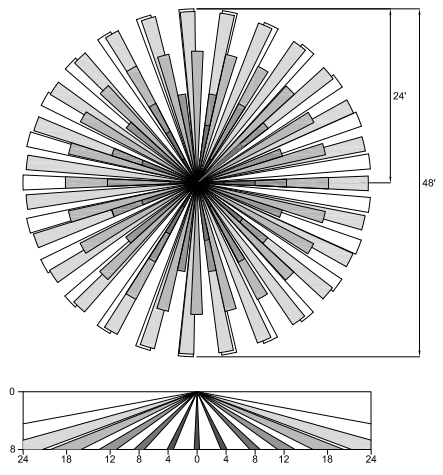
*Buy American Solutions	
BAA	TAA
FAR \$52.225-9	FAR \$52.225-11
NXOS-OMDT2R	
NXOS-OMDT2	

DIMENSIONS



ADDITIONAL INFORMATION

Coverage Patterns



Sensor Lens Coverage and Detection Patterns When Mounted at 8ft with Low Mount Lens

© All product and company names, logos and product identifiers are trademarks™ or registered trademarks® of Hubbell Lighting, Inc. or their respective owners. Use of them does not necessarily imply any affiliation with or endorsement by such respective owners.