



Project Name _____

Catalog No. _____ Date _____

Our NX Daylight Sensors provide the necessary daylight-level information to the NX network. Using a photodiode element, the daylight sensor continuously measures daylight levels and sends the information to the network devices which then perform daylight switching or dimming functionality based on the amount of natural light in the area.

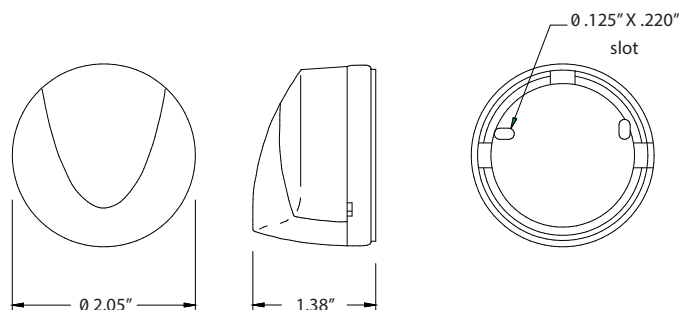
Product Features

- Indoor and Outdoor models available
- Architecturally attractive design
- Open loop operation
- Foot-candle range: 3-6,000fc
- Mounts vertically or horizontally
- Color coded, plug-and-play integration with NX Room Controller
- UL and cUL listed
- Five-year limited warranty

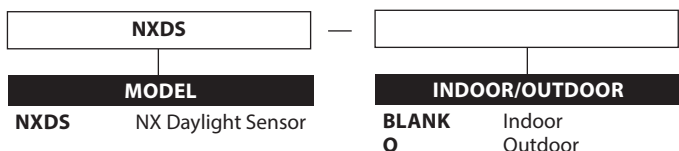
Compliance and Certification



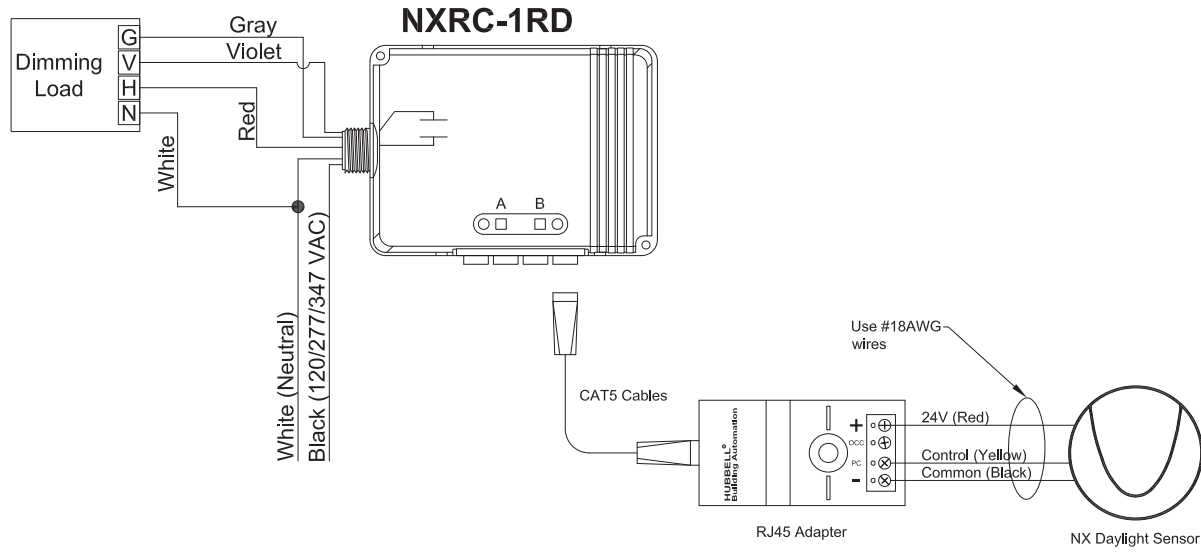
Dimensional Data



Ordering Information



Wiring Information



General Specifications

Electrical	Four jumper-selectable foot candel ranges: 0.3-30fc; 3-300fc; 30-3,000fc; 60-6,000fc Powered by NX Room Controller using plenum rated CAT5 cables (ordered separately)
Operating Environment	NXDS: Indoor use only. Operating Temperature: 0° to +40° NXDS-O: Outdoor Use - IP54. Operating Temperature: -40° to +50°
Construction	Protective hard plastic cover and housing
Dimension	Ø2"D x 1.2"H [Ø50.8 mm x 30.48 mm]
Certifications	UL and cUL listed
Warranty	Five-year limited