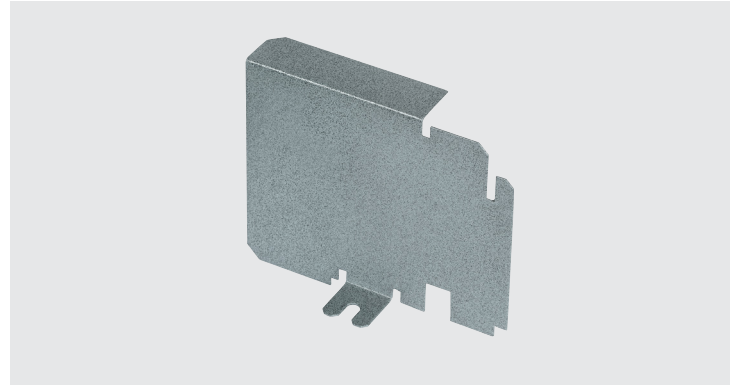




NXP2 SERIES

NX LIGHTING CONTROL PANEL RELAY CHANNEL BARRIER



FEATURES

- Field installed
- Code gauge steel construction
- Installs between any two relays
- Complies with emergency circuit requirements
- Universal fit – left or right side of panel
- 5 year limited warranty

RELATED PRODUCTS

[NX Lighting Control Panel - NXP2 Series](#)

[NX Panel Relays](#)

SPECIFICATIONS

CONSTRUCTION

- Code gauge steel
- Dimensions: 3.41 (86.61mm)"H x 4.23 (107.44mm)"L

OPERATION

- For use with NX Lighting Control Panels V2
- Provides a code gauge steel separation between panel relays

OPERATING ENVIRONMENT

- Indoor use only
- 32° to 112°F (0° to 50°C)
- Relative humidity (non-condensing): 10% to 90%

WARRANTY

- 5 year limited
- See [Hubbell Control Solutions Standard Warranty](#) for additional information

ORDERING GUIDE

Example: NXP2-PBAR

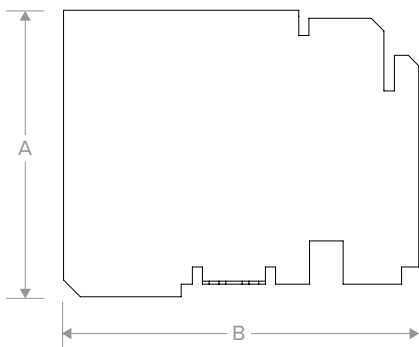
CATALOG #

NXP2-PBAR

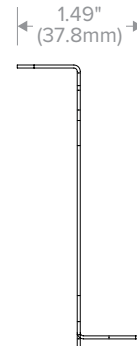
Model

NXP2-PBAR NX Lighting Control Panel V2 Relay Channel Barriers – Set of two

DIMENSIONS



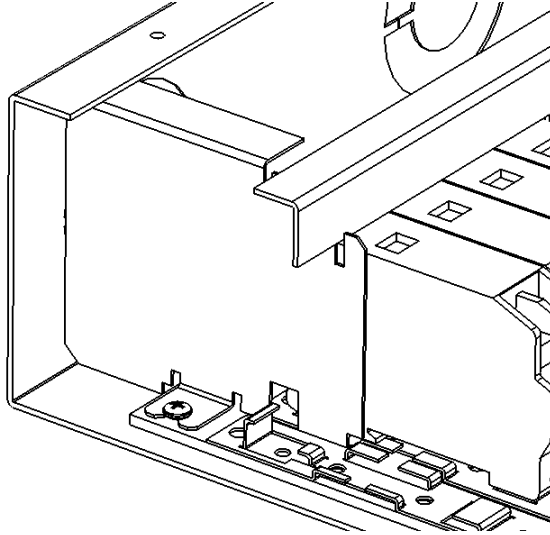
A	3.41" (86.61mm) H
B	4.23" (107.44mm) L



NXP2 SERIES

NX LIGHTING CONTROL PANEL RELAY CHANNEL BARRIER

ADDITIONAL INFORMATION



CORRECT ORIENTATION OF RELAY CHANNEL BARRIER