

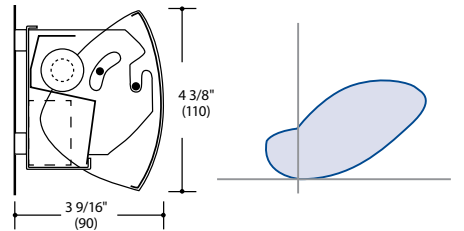
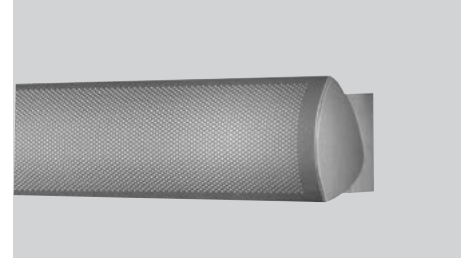
V3 Adjustable Wall Valence

Fixture Type:

Project Name:

Ordering Guide

Feature	Code	Options	Description
Series		34	V3
Mounting		W	Wall Mounted
Fixture distribution		AI AID ASD	Asymmetric Indirect Asymmetric Indirect/Direct Asymmetric Semi-Direct
Row length (in feet)		----	Enter in foot increments. Note fixture lengths below.
Max length in row		02 03 04 06 08	2', 610mm 3', 914mm 4', 1219mm 6', 1829mm 8', 2438mm
Fascia		PF NPF	Perforated Non-Perforated
Finish/Color		C1 C2 C3 C4 C5 C6 CC	Matte White (Default) Textured, Matte White Light Silver Machined Aluminum Carbon Black Textured, Camera Black Custom Color
Lamping		1T5 1T5HO 1T8 2T5 2T5HO 2T8	1-Light T5 Lamping 1-Light T5HO Lamping 1-Light T8 Lamping 2-Light T5 Lamping (not available for AI) 2-Light T5HO Lamping (not available for AI) 2-Light T8 Lamping (not available for AI)
Ballast (non-dimming T5/HO)		NPN	Electronic, program-start
Ballast (non-dimming T8)		NIN NPN NIL NPL NIH NPH	Electronic Electronic, program-start Electronic, low-wattage Electronic, low-wattage, program-start Electronic, high light output Electronic, high light output, program-start
Ballast (dimming)		010V LVD DALI LLS	0-10V Dimming Line Voltage Dimming Dali System Light Level Switching 50/100 See <i>Ballast</i> section for additional dimming ballast options
Circuiting		1C 2C AC AF	1 Circuit 2 Circuit-In Board/ Out Board Alternate Lamp Compartment Switching Alternate Fixture Switching
Voltage		UNV 120 277 347	Universal Voltage 120 Volt 277 Volt 347 Volt



Key Features

- ADA-compliant
- Adjustable distribution
- Available with integrated occupancy sensor

CS™ Control Solutions
available

 **Quick Find** litecontrol.com

34-W

V3 Adjustable Wall Valence

Ordering Guide (continued)

Optional Features	Code	Options	Description
Nightlight		_NL	Nightlight Circuit Required. Enter quantity. 2NL = 2 nightlight circuits/row
Emergency		_EF	Emergency Battery Required. Enter quantity. 2EF = 2 emergency batteries/row
Thru-wiring		W1 W2 W3 W4	No Thru Wire Provide Normal and Emergency Thru Wiring* Provide Normal Thru Wiring Only Provide Emergency Thru Wiring Only *Only applicable when specified with emergency
Sensors		_SO2	Occupancy Sensor Required. Enter quantity. 1SO2= 1 occupancy sensors/row
Fuse		F	Fuse

V3 Adjustable Wall Valence

Details

Construction:

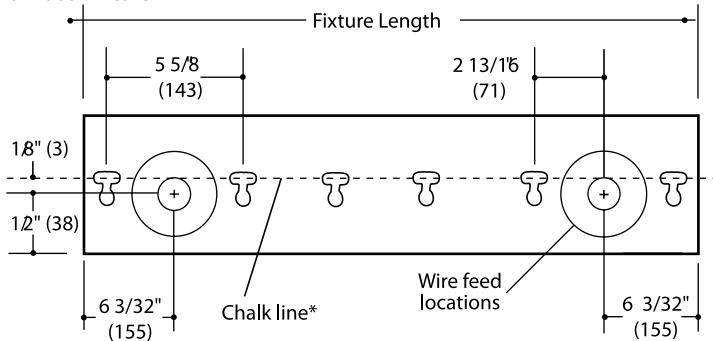
Die-formed steel housing, die formed fascia with or without perforation.
Flat-style steel end caps.

Fixture Lengths:

02 (24 3/16", 614mm)
03 (36 3/16", 919mm)
04 (48 3/16", 1224mm)
06 (72 3/8", 1838mm)
08 (96 3/8", 2445mm)

Planning for Installation:

Individual fixture

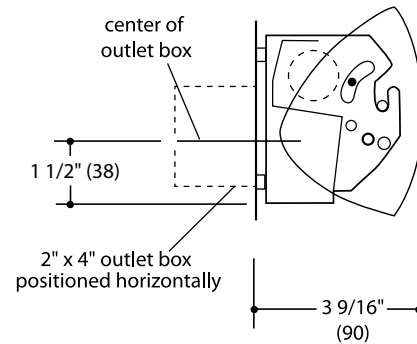


* Set chalk line for mounting screws 1/8" above center of outlet box

Mounting:

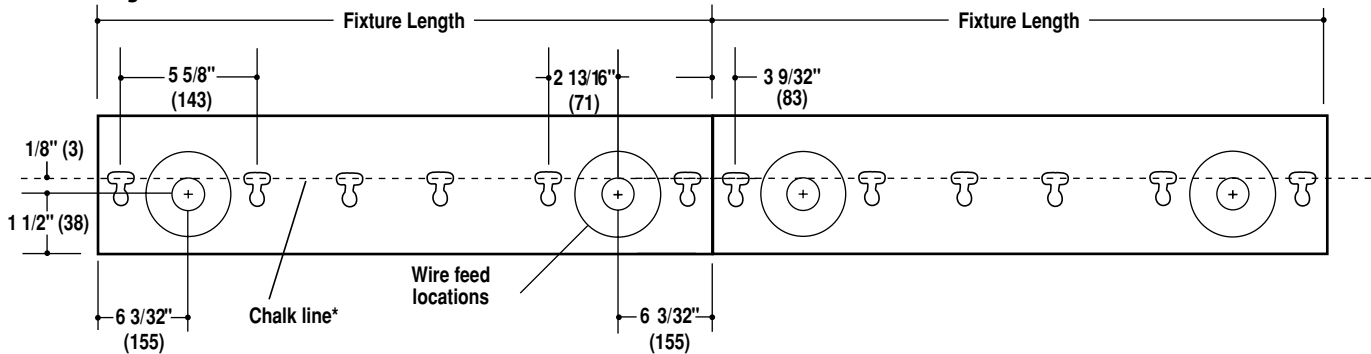
Housing is mounted directly to the wall with mounting screws. Four push-in rubber standoffs are installed on each 3-foot or 4-foot fixture housing section. Additional rubber standoffs are provided for each additional mounting screw position. Fixtures can be mounted in continuous rows. Spring steel splines are provided at row-joint locations.

Cross-section

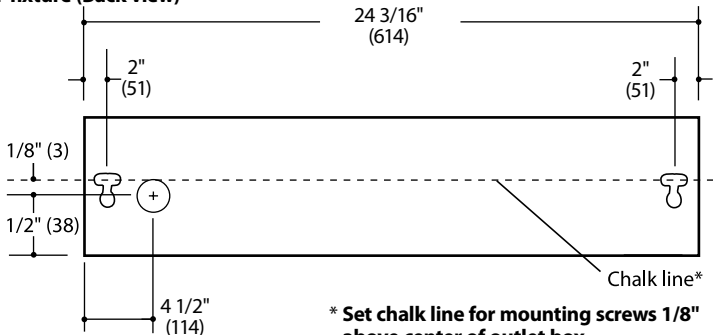


Note: Fascia is shipped separately from housing to allow for easy mounting of housing before fascia attachment. Fascia position is specified by catalog number, but may be set to any of the three positions in the field.

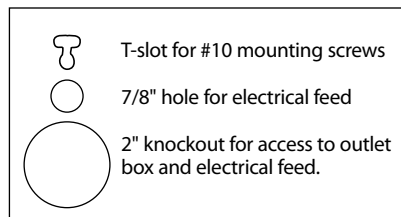
Row mounting



2' fixture (Back view)



* Set chalk line for mounting screws 1/8" above center of outlet box

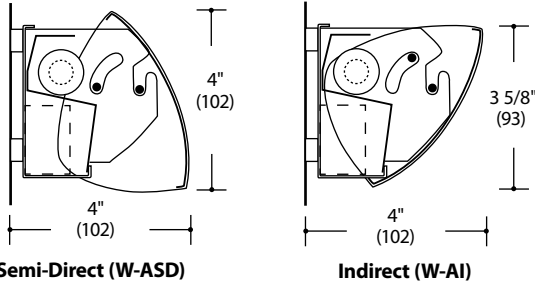


V3 Adjustable Wall Valence

Details (continued)

Distribution (nominal):

AI-95/5
AID-75/25
ASD-40/60



Fascia:

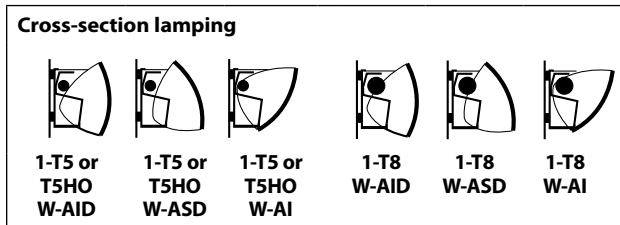
PF-Perforated steel, 10% open, white acrylic diffuser retained behind NPF-Solid steel

Finish/Color:

Visit www.litecontrol.com/finishes for details.

Lamping:

Available in one-lamp T5/T5HO, or T8. Two-lamp available for ASD and AID configurations only.



Ballast:

Electronic Ballast (ELB), high power factor, thermally protected Class P, Sound Rated A, manufactured by a UL Listed manufacturer, as available, determined by Litecontrol. Ballasts with a voltage range of 120 to 277 will be used when fixture configuration and ballast availability allow. The minimum number of ballasts will be used.

Additional Dimming Ballast Options:

LE30	Lutron EcoSystem-3 Wire	(Normal Ballast Factor)
LEH0	Lutron EcoSystem-H Series	(Normal Ballast Factor)
LEH7	Lutron EcoSystem-H Series	(High Ballast Factor)
LEI0	Lutron EcoSystem-Intelligent	(Normal Ballast Factor)
LH3D	Lutron HiLume 3D-3 Wire	(Normal Ballast Factor)
LH37	Lutron HiLume 3D-3 Wire	(High Ballast Factor)
LHHL	Lutron HiLume-Traditional	(Normal Ballast Factor)
LHID	Lutron HiLume-3D Intelligent	(Normal Ballast Factor)
LHI7	Lutron HiLume-3D Intelligent	(High Ballast Factor)

Circuiting:

- 1C (1 Circuit) Fixture wired for a single circuit.
- 2C (2 Circuit in-board, out-board) Inner & outer lamps are switched separately.
- AC (alternate lamp compartment switching) Fixtures wired so every other lamp section can be separately switched/dimmed
- AF (alternate fixture switching) Fixtures wired so every other fixture segment can be separately switched/dimmed

Nightlight:

See separate LC-Nightlight spec sheet for additional details.

Emergency:

Emergency Ballast option in 4' fixtures will reduce the number of available mounting slot locations. Included battery-powered ballast from a listed manufacturer will operate one lamp for 90 minutes.

Thru wiring:

See separate LC-Thruwire spec sheet for additional details.

Sensors:

SO2- Fixture-integrated ultrasonic occupancy sensor by Watt Stopper installed at the factory. Available in 4- and 8-foot length fixtures. The sensor is installed in the center of a 4-foot fascia, and provides automatic on-off or step-dim control of the fixture based on motion detection. Specify the light level switching ballast option (LLS) for step-dim control. One sensor can control all the fixtures in a continuous row, specify accordingly.

Contact factory for technical assistance. See separate LC-Controls spec sheet for additional details.

Fuse:

Slow or fast blow; determined by Litecontrol.

Ratings:

UL listed for damp locations. IBEW. AF of L.

Warranty:

1 year
see www.litecontrol.com for details

Quick Find litecontrol.com **34-W**

V3 Adjustable Wall Valence

Photometry

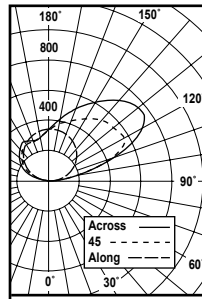
Fixture: 34-W-AI-04-PF-Cx-1T8

Lamping: 1-T8

Efficiency: 59.8%

Distribution: 98/2

Test report: 28011000



ZONAL LUMEN SUMMARY			
ZONE	LUMENS	% LAMP	% LUMINAIRE
180-90°	1693	58.40	97.61
90-0°	41	1.43	2.39
180-0°	1735	59.83	100.00

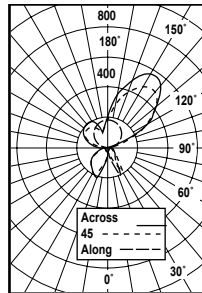
Fixture: 34-W-AID-04-PF-Cx-1T8

Lamping: 1-T8

Efficiency: 54.9%

Distribution: 72/28

Test report: 28111000



ZONAL LUMEN SUMMARY			
ZONE	LUMENS	% LAMP	% LUMINAIRE
180-90°	1140	39.33	71.58
90-0°	452	15.61	28.42
180-0°	1593	54.95	100.00

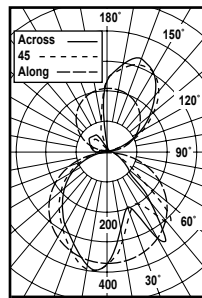
Fixture: 34-W-ASD-04-PF-Cx-1T8

Lamping: 1-T8

Efficiency: 57.6%

Distribution: 98/2

Test report: 28211000



ZONAL LUMEN SUMMARY			
ZONE	LUMENS	% LAMP	% LUMINAIRE
180-90°	664	22.90	39.79
90-0°	1004	34.65	60.21
180-0°	1669	57.55	100.00

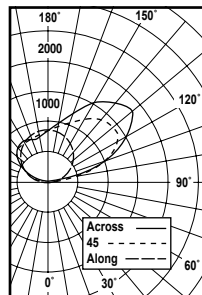
Fixture: 34-W-AI-04-NPF-Cx-1T8

Lamping: 1-T8

Efficiency: 57.2%

Distribution: 100/0

Test report: 28311000



ZONAL LUMEN SUMMARY			
ZONE	LUMENS	% LAMP	% LUMINAIRE
180-90°	1658	57.19	100.00
90-0°	0	.00	.00
180-0°	1658	57.19	100.00