



Project Name _____

Catalog No. _____ Date _____

The Hubbell Control Solutions NXFM-LV in-fixture module provides a Class 2 control solution for a single luminaire. The NXFM-LV provides two channels of industry standard 0–10 volt continuous dimming. One dimming channel is intended for intensity control. A second dimming channel can be used to also provide color temperature control in luminaires equipped with compatible dual LED arrays. The housing is designed with a minimal footprint allowing the NXFM-LV to fit in almost any size luminaire.

An extensive family of complimentary plug-in devices provide options for motion sensing, daylight harvesting, automatic high/low control, dusk/dawn On/Off, control, power monitoring, and scheduling. In standalone installations, setup and programming is performed using any Android or IOS® smart device with an available App that is free for download. Additionally, an optional plug-in radio module allows the luminaire to wirelessly connect to the NX HubbNET™ distributed lighting control network providing endless grouping and control options.

Product Features

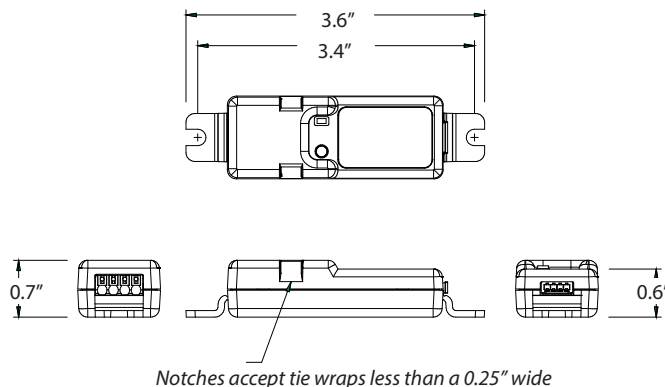
- Works with Dim-to-Off type LED drivers
- Designed for installation within luminaire housing
- Class 2 low voltage operation
- Plug-in connection, no wires
- Continuous dimming 0-10V control
- Second dimming channel provides LED color control or dim to warm
- Compatible with SpectraSync™ enabled luminaires
- Wireless programming via free Smart Device App*
- SmartPORT™ technology for plug-in control and radio options
- Suitable for indoor and outdoor applications

*Requires use of Bluetooth enabled sensor module

Compliance and Certification



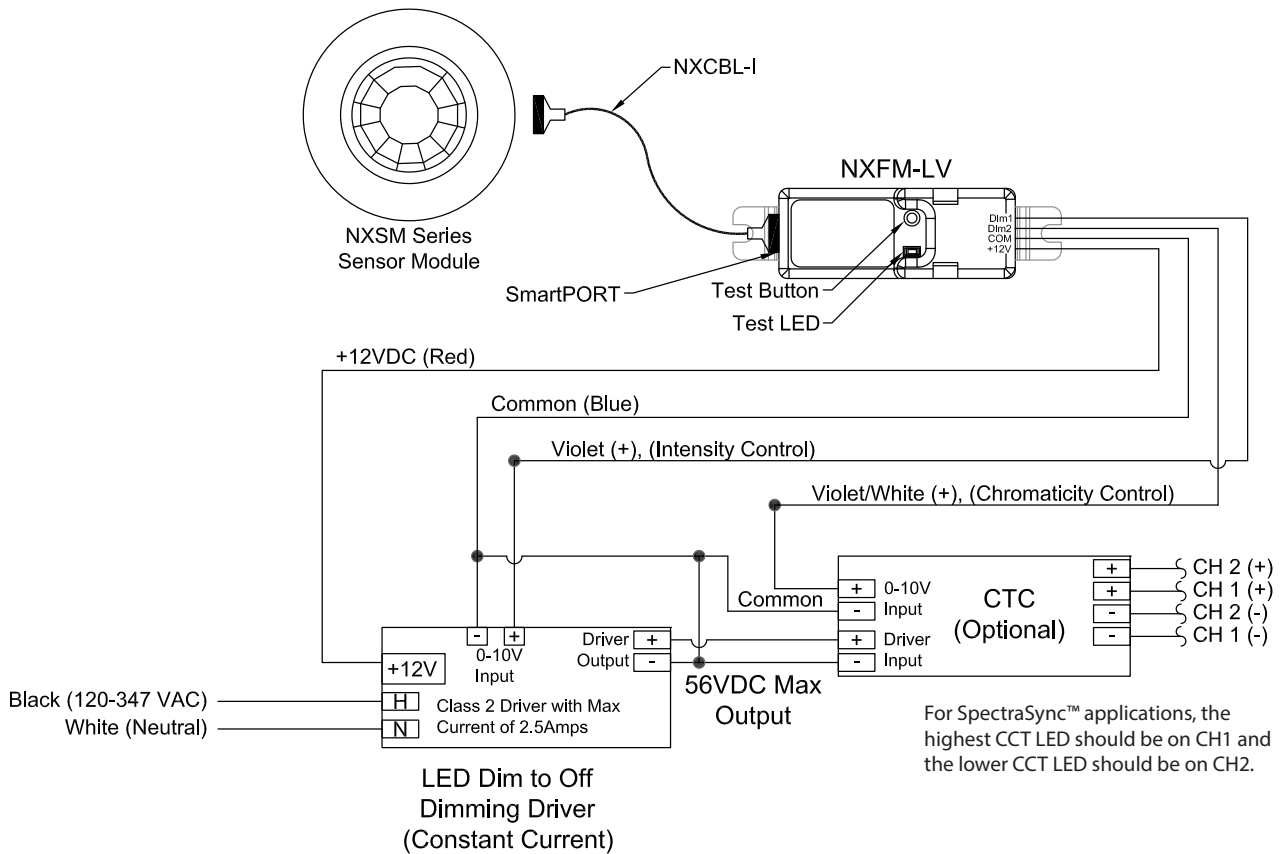
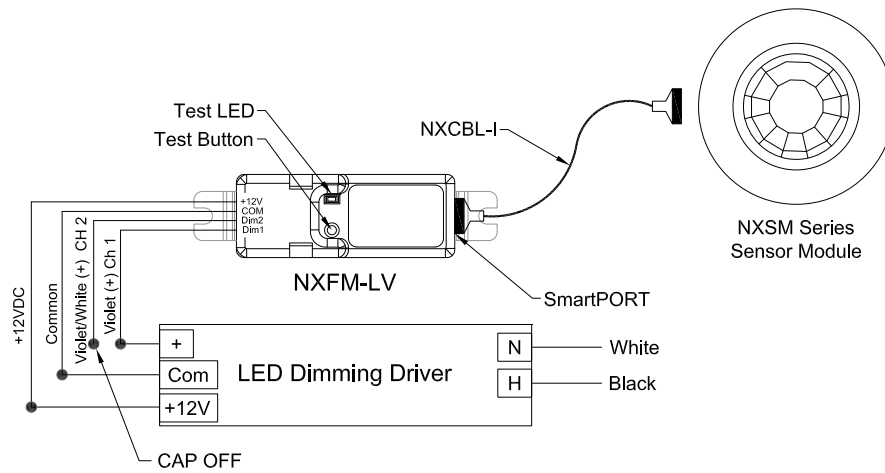
Dimensional Data



Ordering Information

NXFM	—	LV
SERIES		MODEL
NXFM		LV Low Voltage, No Relay, 2 Dimming Channel

Wiring Information



General Specifications

Electrical Ratings	12-24 VDC, low voltage SmartPORT
Standby Power (W)	120VAC: 0.2 277VAC: 0.2 347VAC: 0.2
Dimming	0-10 V, current sink, 30mA per channel
Operating Environment	Operating Temperature: -40°F to 185°F [-40°C to 85°C] Relative humidity (non-condensing): 0 to 95%
Construction	Housing: GSM UL Rated 94 HB Plastic
Mounting	Mounts inside fixture via screw down tabs
Dimensions	3.65" L x 1.01" W x 0.69" H (92.59 mm L x 24.65mm W x 17.60mm H)
Weight	0.8 oz (23 g)
Color	Blue
Certifications	Conforms with UL244A and Certified to CAN/CSA CAN/CSA-C22.2 No. 14 IC Approved
Warranty	Five-year limited

DEFAULT DIMMING OPERATION	
Occupancy Sensor Only	On to 80% light level
Occupancy Sensor and Dimming Switch	On to 80%, override with dimming or scene switch
Switch only	On to previous level or custom level depending on switch type and settings