

NX DISTRIBUTED INTELLIGENCE™



Project Name _____

Catalog No. _____ Date _____

The Hubbell Control Solutions NXFM series in-fixture module enables a complete control solution for a single luminaire. The in-fixture module incorporates a single relay for On/Off control as well as industry standard 0-10 volt continuous dimming control. A second dimming channel is provided enabling the module to also provide color temperature control in luminaires equipped with compatible dual LED arrays. The housing is designed to project a narrow footprint with the flying leads for the line voltage connections exiting the housing at one end and an in-line connector for the dimming channels on the other end. This allows the NXFM to be mounted within a narrow channel common on linear luminaires.

An extensive family of complimentary plug-in devices provides options for motion sensing, daylight harvesting, automatic high/low control, dusk/dawn On/Off, control, power monitoring, and scheduling. In standalone installations, setup and programming is performed using any Android™ or iOS® smart device with an available App that is free for download. Additionally, an optional plug-in radio module allows the luminaire to wirelessly connect to the NX HubbNET™ distributed lighting control network providing grouping and control options.

Product Features

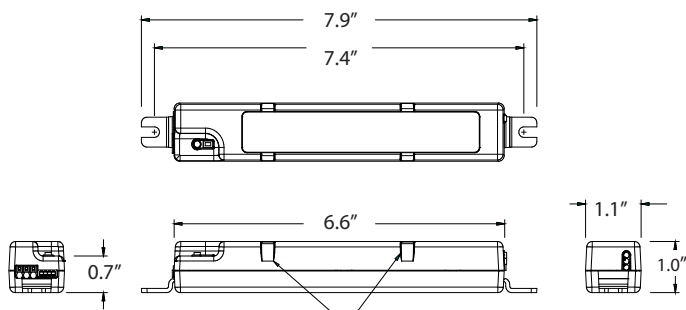
- Designed for installation within luminaire housing
- Universal Voltage, 120 - 347V
- Space saving in-line flying leads, connector and mounting tabs
- Integral relay for On/Off control
- Continuous dimming 0 - 10V
- Second dimming channel for variable color temperature
- Compatible with SpectraSync™ enabled luminaires
- Wireless programming via free Smart Device App*
- Create and download schedules via Smart Device App*
- SmartPORT™ technology for plug-in control and radio options
- Suitable for indoor and outdoor applications
- 5 year limited warranty

* Requires use of Bluetooth® enabled sensor modules

Compliance and Certification



Dimensional Data

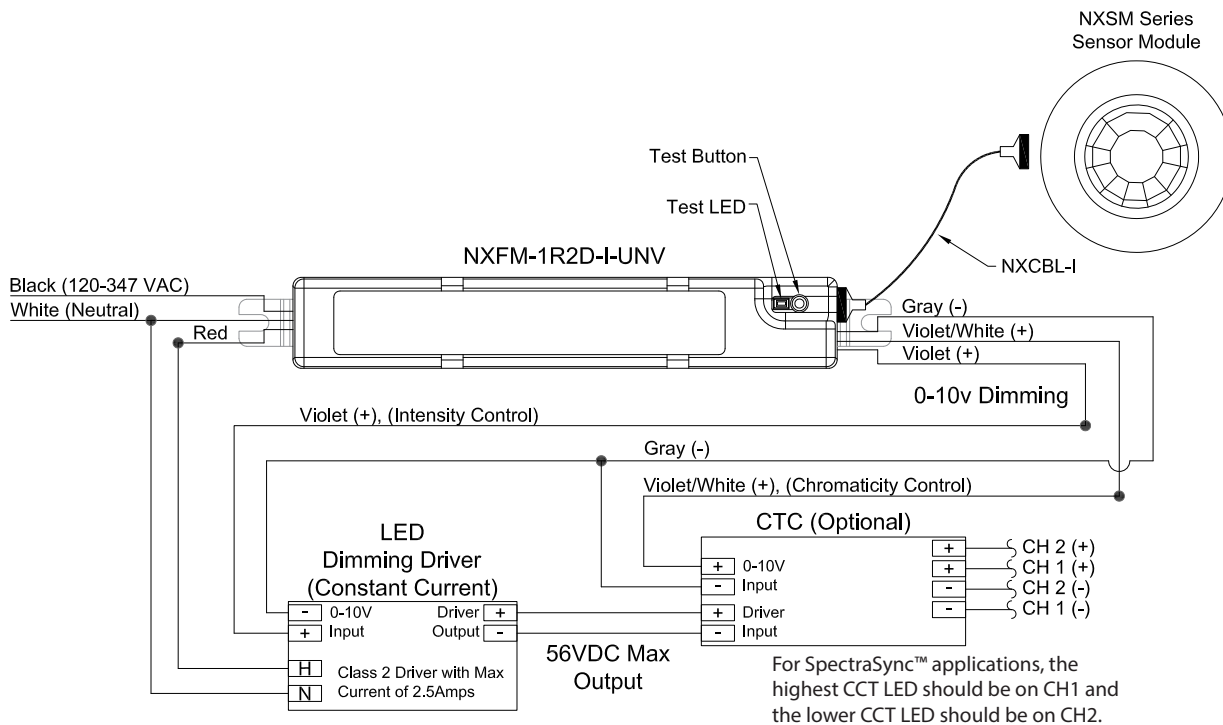
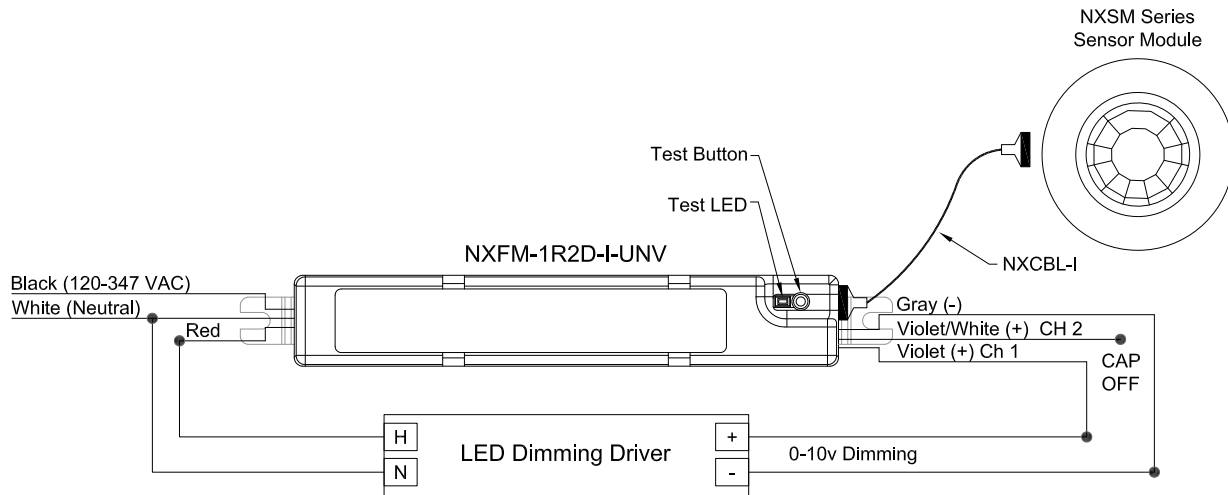


Note: Notches accept tie wraps less than a .250" wide

Ordering Information

NXFM	1R2D-I-UNV
SERIES	MODEL
NXFM NX Fixture Module	1R2D-I-UNV 1 Relay 2 Dimmer Inline Leads Universal Voltage, 120-347V

Wiring Information



General Specifications

Electrical Ratings	Input: 120-347VAC, 10A Max, 50-60Hz Output: 10A, 120VAC only Incandescent 10A, 120-347VAC, Magnetic Ballast 5A, 120-277VAC, Electronic Ballast 3A, 347VAC, Electronic Ballast Surge Withstand: 2000V Peak Inrush: 160A for 2 ms Max
Standby Power (W)	120VAC: 0.3 277VAC: 0.5 347VAC: 0.5
Control	Low Voltage SmartPORT
Dimming	0-10V, 30mA per channel For use with low-voltage, two-wire dimming ballast and LED drivers
Operating Environment	Operating Temperature: -40° to 185° [-40° to 85°] Relative humidity non-condensing):0 to 95%
Construction	Housing: GSM UL Rated 94 HB Plastic
Mounting	Mounts inside fixture
Dimensions	3.65" Lx 1.01" Wx 0.69" H (92.59 mm L x 24.65mm W x 17.60mm H)
Weight	0.8 oz (23 g)
Color	Blue
Certifications	Conforms with UL916 and Certified to CAN/CSA C22.2 No. 205-M1983 IC Approved
Warranty	Five-year limited

DEFAULT DIMMING OPERATION

Occupancy Sensor Only	On to 80% light level
Occupancy Sensor and Dimming Switch	On to 80%, override with dimming or scene switch
Switch only	On to previous level or custom level depending on switch type and settings