



Project Name _____

Catalog No. _____ Date _____

The Hubbell Control Solutions NXFM series in-fixture module enables a complete control solution for a single luminaire. The in-fixture module incorporates a single relay for On/Off control as well as industry standard 0-10 volt continuous dimming control. A second dimming channel is provided enabling the module to also provide color temperature control in luminaires equipped with compatible dual LED arrays. The unique snap-in mounting tray design and offset flying leads provide a compact package that allows maximum flexibility for mounting the module within the luminaire housing.

An extensive family of complimentary plug-in devices provide options for motion sensing, daylight harvesting, automatic high/low control, dusk/dawn On/Off, control, power monitoring, and scheduling. In standalone installations, setup and programming is performed using any Android™ or iOS® smart device with an available App that is free for download. Additionally, an optional plug-in radio module allows the luminaire to wirelessly connect to the NX HubbNET™ distributed lighting control network providing endless grouping and control options.

The NXFM in-fixture module is the perfect solution for applications requiring the flexibility of integrated fixture control in standalone or networked installations.

Product Features

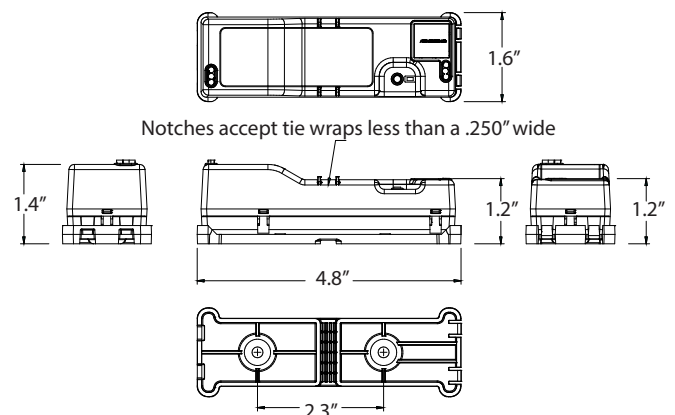
- Designed for installation within luminaire housing
- Universal Voltage, 120-347V
- Mounting tray with snap in/snap out feature
- Space saving offset flying leads
- Integral relay for On/Off control
- Continuous dimming 0-10 volt control
- Second dimming channel for variable color temperature
- Compatible with SpectraSync™ enabled luminaires
- Wireless programming via free Smart Device App*
- SmartPORT™ technology for plug-in control and radio options
- Suitable for indoor and outdoor applications

*Requires use of Bluetooth® enabled sensor module

Compliance and Certification



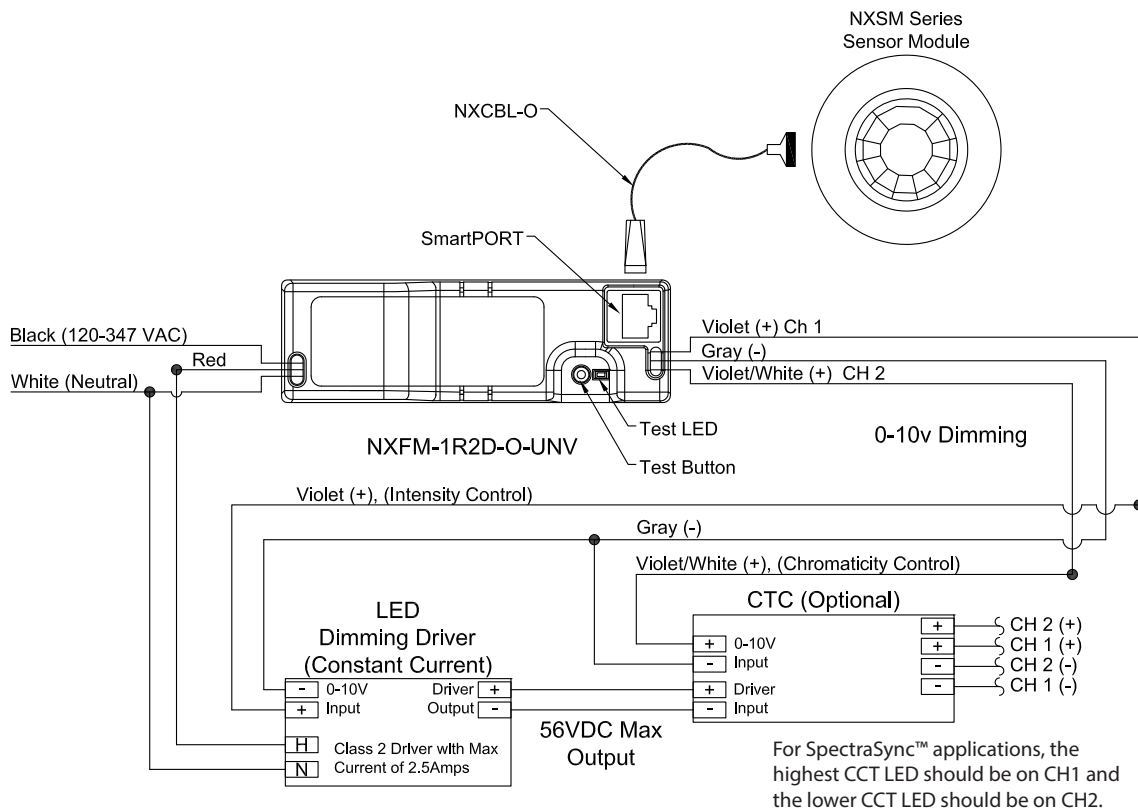
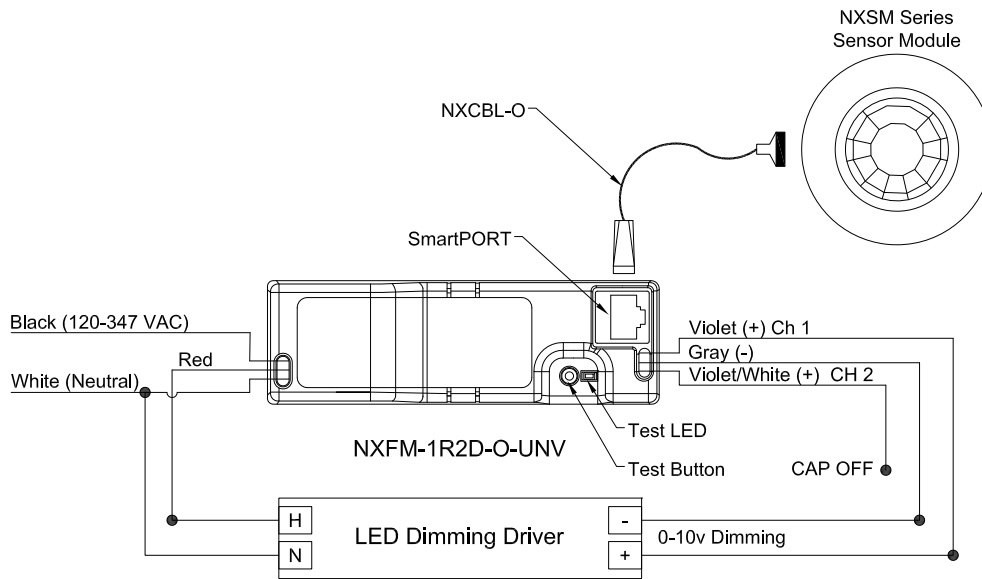
Dimensional Data



Ordering Information

NXFM	1R2D-O-UNV
SERIES	MODEL
NXFM NX Fixture Module	1R2D-O-UNV 1 Relay 2 Dimmer Offset Leads Universal Voltage, 120-347V

Wiring Information



General Specifications

Electrical Ratings	Input: 120-347VAC, 10A Max, 50-60Hz Output: 10A, 120VAC only, Incandescent 10A, 120-347VAC, Magnetic Ballast 5A, 120-277VAC, Electronic Ballast 3A, 347VAC, Electronic Ballast Surge Withstand: 2000V Peak Inrush: 160A for 2ms Max
Standby Power (W)	120VAC: 0.2 277VAC: 0.4 347VAC: 0.5
Control	Low Voltage SmartPORT
Dimming	0-10V, 30mA per channel For use with low-voltage, two-wire dimming ballast and LED drivers
Operating Environment	Operating Temperature: -40°F to 185°F [-40°C to 85°C] Relative humidity (non-condensing): 0 to 95%
Construction	Housing: GSM UL Rated 94 HB Plastic
Mounting	Mounts inside fixture
Dimensions	4.8"L x 1.6"W x 1.45"H (121.92mm L x 40.64mm W x 36.83mm H)
Weight	4 oz (113.4 g)
Color	Blue
Certifications	Conforms with UL916 and Certified to CAN/CSA C22.2 No. 205-M1983 IC Approved
Warranty	Five-year limited

DEFAULT DIMMING OPERATION	
Occupancy Sensor Only	On to 80% light level
Occupancy Sensor and Dimming Switch	On to 80%, override with dimming or scene switch
Switch only	On to previous level or custom level depending on switch type and settings