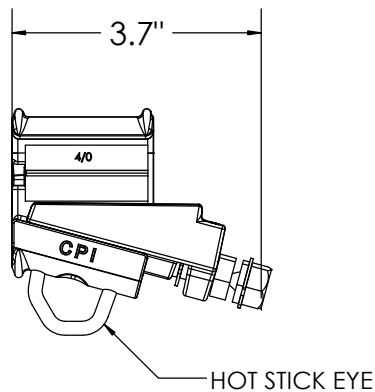
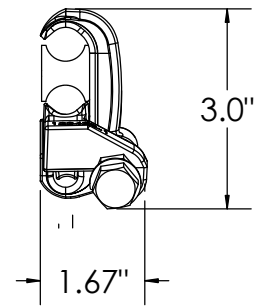
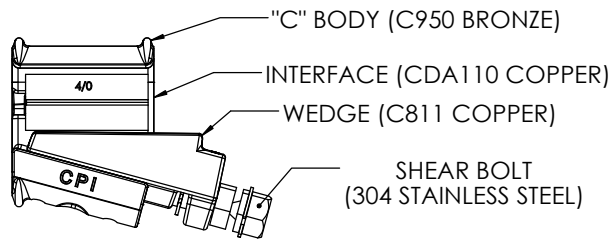
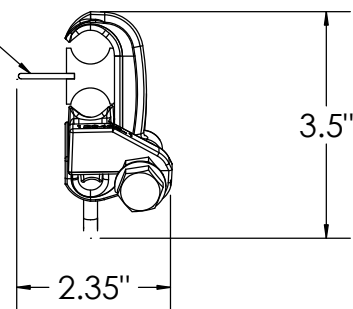


#4 - 4/0 SERIES COPPER CONNECTOR



HOT STICK TAB
HOT STICK CONFIGURATION



NOTE: PLEASE ADD THE SUFFIX "HS" TO THE PART # WHEN ORDERING THE HOT STICK CONFIGURATION
EX: 240100CHS

Main Conductor		Tap Conductor		Catalog #
Description	Dia. Range	Description	Dia. Range	
#4 Cu #1 (7 STR)	.232" - .328"	#6 SOL - #4 SOLID	.162" - .204"	240100C
		#4 STR - #2 SOLID	.232" - .260"	240101C
		#1 SOL - #2 STR	.281" - .325"	240102C
1/0 Cu 2/0 Cu	.368" - .419"	#6 SOL - #4 SOL	.162" - .204"	210103C
		#4 STR - #2 SOL	.232" - .260"	210104C
		#1 SOL - #2 STR	.281" - .325"	210105C
		1/0 - 2/0	.368" - .419"	210106C
3/0 Cu	.464" - .500"	#6 SOL - #4 SOL	.162" - .204"	230107C
		#4 STR - #2 SOL	.232" - .260"	230108C
		#1 SOL - #2 STR	.281" - .325"	230109C
		1/0 - 2/0	.368" - .419"	230110C
		3/0	.464" - .474"	230111C
4/0	.500" - .530"	#6 SOL - #4 SOLID	.162" - .204"	264110C
		#4 STR - #2 SOLID	.232" - .260"	264111C
		#1 SOL - #2 STR	.281" - .325"	264112C
		1/0 - 2/0	.368" - .419"	264113C
		3/0	.440" - .474"	264114C
		4/0	.500" - .530"	264115C

STANDARD PACKAGE: Full Carton: 75 Units: 11" x 11" x 11.5" Box. Half Carton: 50 Units: 11" x 11" x 7" Box.