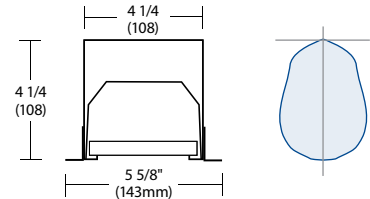


Fixture Type:

Project Name:

Ordering Guide

Feature	Code	Options	Description
Series		44	MOD
Ceiling Type		DW PT LG*	Drywall Drywall with Plaster Trim 15/16 Grid *T8 is not available for IND 2', 3' or 4' Grid (LG) fixtures, consult factory. Ceiling Type cannot be retrofitted in the field
Fixture distribution		D	Direct
Row length (in feet)		___'	Enter in foot increments. Note fixture lengths below.
Max length in row		02 03 04 06 08	2', 610mm 3', 914mm 4', 1219mm 6', 1829mm 8', 2438mm
Downlight diffuser		BW BWO PS PW PSO PWO XA PAT19 SGL	Blade Baffle, White Blade Baffle, White w/Overlay Parabolic Baffle, Semi-Specular Aluminum* Parabolic Baffle, White* Parabolic Baffle, Semi-Specular w/Overlay* Parabolic Baffle, White w/Overlay* 3/16" Conical Prisms 3/16" Square Prisms Soft Glow Lens *Not available with 2-Light T8
Finish/Color		C1 C2 C3 C4 C5 C6 CC	Matte White (Default) Textured, Matte White Light Silver Machined Aluminum Carbon Black Textured, Camera Black Custom Color
Lamping		1T5 1T5HO 1T8* 2T5 2T5HO 2T8*	1-Light T5 Lamping 1-Light T5HO Lamping 1-Light T8 Lamping 2-Light T5 Lamping 2-Light T5HO Lamping 2-Light T8 Lamping *T8 is not available for IND 2', 3' or 4' Grid (LG) fixtures, consult factory.s
Ballast (non-dimming T5/HO)		NPN	Electronic, program-start
Ballast (non-dimming T8)		NIN NPN NIL NPL NIH NPH	Electronic Electronic, program-start Electronic, low-wattage Electronic, low-wattage, program-start Electronic, high light output Electronic, high light output, program-start
Ballast (dimming)		010V LVD DALI LLS	0-10V Dimming Line Voltage Dimming Dali System Light Level Switching 50/100 See <i>Ballast</i> section for additional dimming ballast options
Circuiting		1C 2C AC AF	1 Circuit 2 Circuit-In Board/ Out Board Alternate Lamp Compart Switch Alternate Fixture Switching



Key Features

- 4" aperture

Ordering Guide

Voltage		UNV 120 277 347	Universal Voltage 120 Volt 277 Volt 347 Volt
Optional Features	Code	Options	Description
Nightlight		_NL	Nightlight Circuit Required. Enter quantity. 2NL = 2 nightlight circuits/row
Emergency		_EF	Emergency Battery Required. Enter quantity. 2EF = 2 emergency batteries/row
Automatic Transfer Switch		_ATS	Automatic Transfer Switch Required. Enter quantity. 2ATS = 2 automatic transfer switches/row
Thru-wiring		W1 W2 W3 W4	No Thru Wire Provide Normal and Emergency Thru Wiring* Provide Normal Thru Wiring Only Provide Emergency Thru Wiring Only *Only applicable when specified with emergency
Pattern boxes		C90L C13L	Lighted Corner connector, 90 Lighted Corner connector, 135
Fuse		F	Fuse
Chicago Environmental Air Modification		CCEA	Chicago Environmental Air Modification

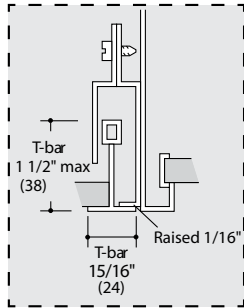
Details

Construction:

Die-formed and welded steel. Wiring knockouts in top.

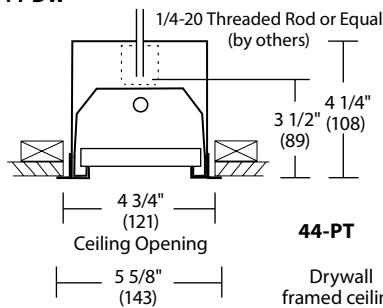
Installation:

44-LG

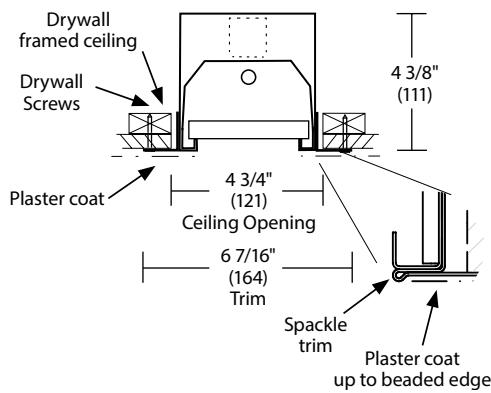


T-bar spacing 5 1/4" OC x fixture length
(72", and 96" only for T8 individual (IND) fixtures). Main tees may be located lengthwise or at ends.

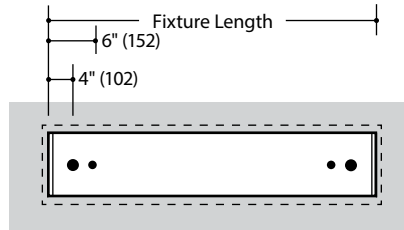
44-DW



44-PT



Feed locations

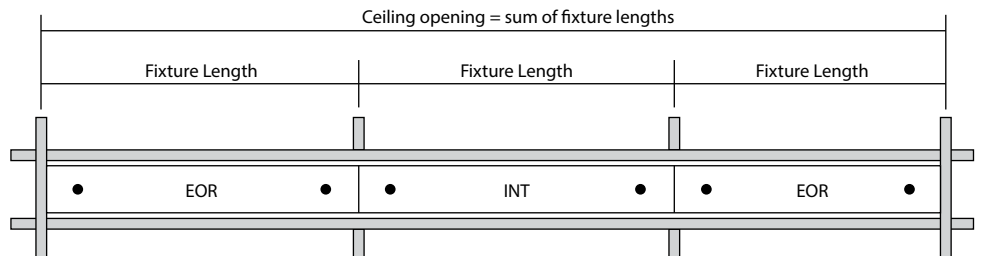
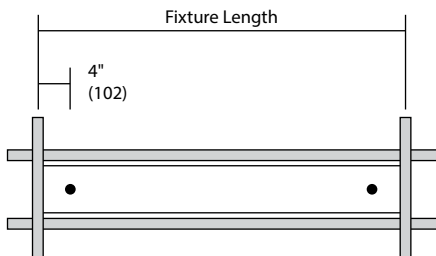


- 7/8" diameter knockout, electrical feed
- 5/8" diameter knockout, threaded rod

Position:

Individual fixtures (IND)

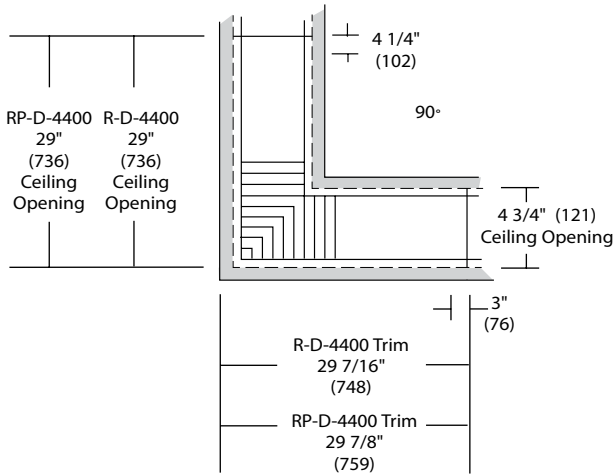
Row fixtures: End of Row (EOR) and Intermediate (INT)



Details (continued)

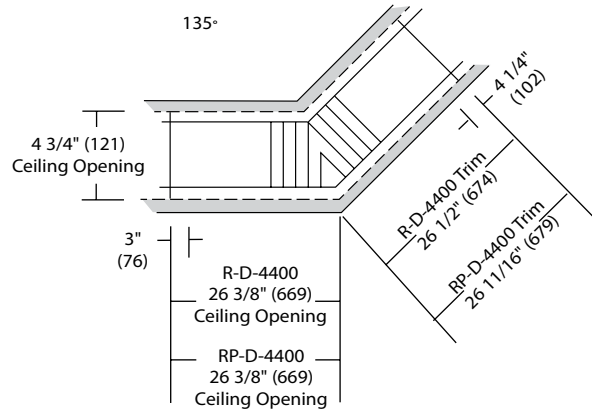
44-DW/PT

90° Lighted Corner **C90L**



44-DW/PT

135° Lighted Corner **C135L**



Corners are of one-piece construction, ready to install, with diffusers that match adjoining fixtures. Fixtures cannot be butted to form corners.

Distribution:

100% direct.

Downlight diffuser:

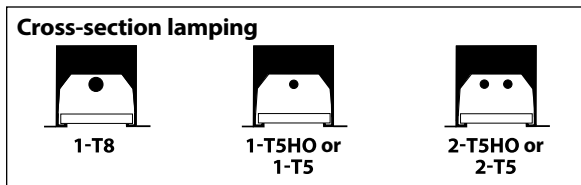
- BW-Blade Baffle, White
- BWO-Blade Baffle, White w/Overlay
- PS-Parabolic Baffle, Semi Specular Aluminum*
- PW-Parabolic Baffle, White*
- PSO-Parabolic Baffle, Semi-Specular w/Overlay
- PWO-Parabolic Baffle, White w/Overlay
- XA-3/16" Conical Prisms
- PAT19-3/16" Square Prisms
- SGL-Soft Glow Lens

Finish/Color:

Visit www.litecontrol.com/finishes for details.

Lamping:

Available in one or two-lamp T8 and T5/T5HO configurations.



Ballast:

Electronic Ballast (**ELB** - for T8 lamping or **LP/ELB** - for T5 or T5HO lamping), high power factor, thermally protected Class P, Sound Rated A, less than 10% THD, manufactured by a UL Listed manufacturer, as available, determined by Litecontrol. Ballasts with a voltage range of 120 to 277 will be used when fixture configuration and ballast availability allow. The minimum number of ballasts will be used.

Additional Dimming Ballast Options:

- | | | |
|------|------------------------------|-------------------------|
| LE30 | Lutron EcoSystem-3 Wire | (Normal Ballast Factor) |
| LEH0 | Lutron EcoSystem-H Series | (Normal Ballast Factor) |
| LEH7 | Lutron EcoSystem-H Series | (High Ballast Factor) |
| LEI0 | Lutron EcoSystem-Intelligent | (Normal Ballast Factor) |
| LH3D | Lutron HiLume 3D-3 Wire | (Normal Ballast Factor) |
| LH37 | Lutron HiLume 3D-3 Wire | (High Ballast Factor) |
| LHHL | Lutron HiLume-Traditional | (Normal Ballast Factor) |
| LHID | Lutron HiLume-3D Intelligent | (Normal Ballast Factor) |
| LHI7 | Lutron HiLume-3D Intelligent | (High Ballast Factor) |

Circuiting:

- 1C-1 Circuit
- 2C-2 Circuit-Up In-board/Out-Board
- AC-Alternate Lamp Compartment Switch
- AF-Alternate Fixture Switching

Nightlight:

See separate LC-Nightlight spec sheet for additional details.

Emergency:

Battery-powered ballast from a listed manufacturer will operate one lamp for 90 minutes.

Thru wiring:

See separate LC-Thruwire spec sheet for additional details.

Fuse:

Slow or fast blow; determined by Litecontrol.

Ratings:

UL listed for damp locations. IBEW. AF of L. IC Rated.

Warranty:

1 year
see www.litecontrol.com for details

Photometry

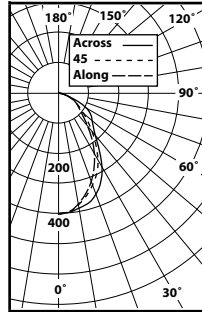
Fixture: 44-R-XX-D-04-BW-CX-1T8

Lamping: 1-T8

Efficiency: 48%

Distribution: 0/100

Test report: 11042004



ZONAL LUMEN SUMMARY			
ZONE	LUMENS	% LAMP	% LUMINAIRE
180-90°	0	.00	.00
90-0°	1378	47.53	100.00
180-0°	1378	47.53	100.00

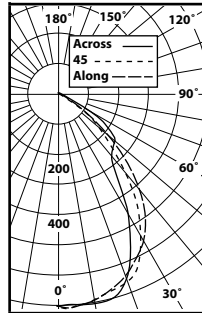
Fixture: 44-R-XX-D-04-PS-CX-1T8

Lamping: 1-T8

Efficiency: 40%

Distribution: 0/100

Test report: 11042004



ZONAL LUMEN SUMMARY			
ZONE	LUMENS	% LAMP	% LUMINAIRE
180-90°	0	.00	.00
90-0°	1148	39.59	100.00
180-0°	1148	39.59	100.00