

WIR SERIES

WISCAPE® WIRELESS EXTERNAL FIXTURE MODULE

FEATURES

- On/Off lighting control with 0-10V full-range dimming
- Compliant with ANSI C136-41 (7 & 5 pin) twist-lock receptacles
- Digital input available for motion sensor, switch or photocell control
- Includes built-in, internal on/off photocell
- Military grade AES-128 communication encryption
- Multi-level grouping and multiple scenarios
- Revenue-grade metering (+/- 0.5% accuracy) with multiple user-configurable alarms
- Complete integration with wiSCAPE software



wiSCAPE™



RELATED PRODUCTS

- [wiSCAPE Wireless Gateway3](#)
- [wiSCAPE Express and BACnet Software](#)
- [wiSCAPE Enterprise Software](#)
- [wiSCAPE Wireless Internal Fixture Module](#)
- [wiSCAPE Wireless External Photocell Module](#)
- [wiSCAPE Wireless RGBW Module](#)

SPECIFICATIONS

CONSTRUCTION

- Black
- Plastic housing
- UL94V-0 Flame Retardant
- 3.75" (95.3mm) H x 3.125" (79.4mm) DIA

MOUNTING

- Compliant with ANSI C136-41(7 & 5 pin) twist-lock receptacles¹

ELECTRICAL

- Voltage:
 - 110-480VAC (+/- 10%); 50/60Hz
 - Less than 1-watt node consumption (may vary according to specific configuration)
- Maximum Load Amperage:
 - 120-240VAC: 7 Amps
 - 277-347VAC: 5 Amps
 - 480VAC: 2 Amps
- Power metering: amperage, voltage, power (+/- 0.5% accuracy), power factor, energy, burn-time and cycles counters - C12.20 metering power compliance
- Meets standards IEC61000-4-3 and EN61000-4-3: Immunity to radiated electromagnetic fields

ELECTRICAL (CONTINUED)

- Surge protection (6kV/3kA)
- Sensor multi-purpose input/output: analogic input 0-30V or digital output 24VDC for sensor boards (e.g. CO detector)
- 0-10V Dimming: For all types of 2-wire 0-10V drivers & ballasts requiring either sourced (up to 20mA) or sunk (up to 5mA)
- Sensor output: 24VDC - max: 50mA (total)

OPERATION

- Radio Coverage: Up to 1,000 ft. (300m) between modules. Communication range based on clear line of site. Range may vary widely depending on environmental factors.²
- Integrated Photocell: Default configuration - operates immediately upon installation; no need for a network connection. Orientation arrow located on top of housing.³

OPERATING ENVIRONMENT

- Relative Humidity: 0% to 99% non-condensing
- Ambient Temperature Range: -40°F to 158°F (-40°C to +70°C)

CERTIFICATIONS

- ANSI/UL 773, CSA 22.2 No. 182.2
- UL 94 V-0

CERTIFICATIONS (CONTINUED)

- IP66
- IK09
- 2.4GHz Version: U.S. FCC (Digi XBee PRO 2.4GHz) Part 15.247 Class A: MCQ-PS2CTH, Canada IC: 1846A-PS2CTH, Europe CE: ETSI, Australia: C-TICK, Japan: TELEC
- -900MHz Version: U.S. FCC (Digi XBee PRO 900MHz) Part 15.247 Class A: MCQ-XB900HP

WARRANTY

- 5 year limited
- See [Hubbell Control Solutions Standard Warranty](#) for additional information

Notes:

- 1 Receptacles not included. Please order with luminaire.
- 2 Device must be mounted vertically up or down.
- 3 Position photocell facing either North or South.

WIR SERIES

WISCAPE® WIRELESS EXTERNAL FIXTURE MODULE

ORDERING GUIDE

Example: WIR-RME-L

CATALOG #

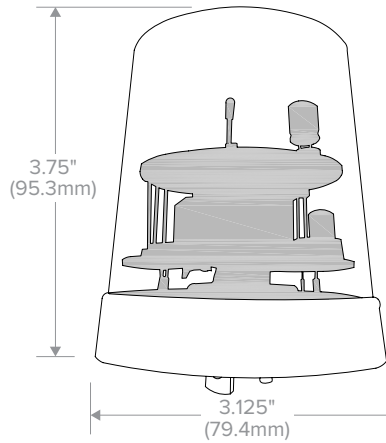
Model	
WIR-RME-L	wISCAPE Wireless External Fixture Module, 2.4GHz, 1000' Range, 110-480VAC
WIR-RME9 ¹	wISCAPE Wireless External Fixture Module, 900MHz, 1000' Range, 110-480VAC

Accessories	
<input type="checkbox"/> WIR-RMDB-40 ²	wISCAPE Fixture Module, 0-10V Dimming Booster with 40mA Sink

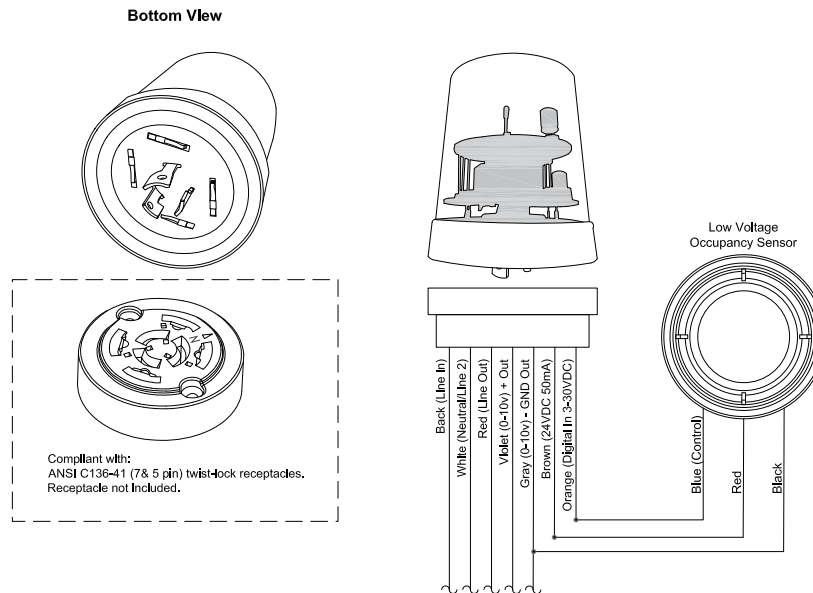
Notes:

- 1 900 MHz Devices are MTO (Made-To-Order) - Contact Customer Service for Availability
- 2 Add-on component that increases the number of fixtures that can be dimmed/sunk

DIMENSIONS



WIRING DIAGRAMS



wISCAPE External Fixture Module with Low Voltage Occupancy Sensor