



**FEATURES**

- 4¼" deep fluorescent troffer eliminates lens shadowing
- Lamp-to-lens spacing is over 2"
- Contoured housing maximizes photometric performance with uniform lens brightness
- Mitered corners on door present a clean uninterrupted appearance
- Rolled edge housing on all four sides makes the fixture safer and easier to handle
- Heavy duty door frame enhances appearance from eye level
- Snug door fit eliminates light leaks
- Recessed, surface or cable mount
- UL listed 1598

**PROJECT INFORMATION**

Project Name \_\_\_\_\_

Type \_\_\_\_\_

Catalog No. \_\_\_\_\_

Date \_\_\_\_\_

**CONSTRUCTION**

Housing is constructed of heavy gauge steel, die formed for extra rigidity. Standard flush door is formed steel with mitered corners. Doors are retained by cam action latches, are easily removed without tools, and hinge from either side. Regressed or flush aluminum doors with mitered corners are also available. End caps are hinged and screwed to the housing for extra rigidity. Four integral T-bar clips are located in the end caps. Wireway accessible from below for upgrades or maintenance.

**SHIELDING**

Standard lens is a 100% prismatic virgin pattern 12. Other shielding may be specified. If desired shielding media is not shown in ordering guide, contact your local Hubbell Lighting representative.

**CERTIFICATION**

Designed for recessed installation in standard inverted tee grid ceilings (G), recessed installation in hard ceilings (G with FK accessory), Surface mount at ceiling plane (SM) or cable mount suspension below ceiling plane (CM). For compatibility with specific ceilings contact your Hubbell Lighting representative.

**BALLAST & ELECTRICAL**

All luminaires are completely wired with class "P," thermally protected, resetting, HPF ballast, sound rated A. Lampholders are medium bi-pin with positive retention. Furnished with an access plate. CEE NEMA Premium compliant.

**CERTIFICATION**

All luminaires are built to UL 1598 standards and bear appropriate UL and cUL or CSA labels. Damp location labeling is standard. Emergency-equipped fixtures labeled UL 924.

**FINISH**

All metal parts processed with a multi-stage phosphate bonding treatment and finished with a high reflectance baked white enamel. For a post painted housing finish suffix catalog number with PAF.

**ORDERING INFORMATION**

**EXAMPLE 4PS24-432G-FSA12-EU-PAF**

4PS	24	-	-	-	-
MODEL	NO. OF LAMPS	CEILING TYPE	SHIELDING	VOLTAGE	OPTIONS
4PS Specification Grade Static Troffer	2 Two 3 Three 4 Four	G Inverted T-bar (std.) F Overlap Flange (4½" overall fixture height) M Fit-in Flange (4½" overall fixture height) SM Surface Mount CM Cable Mount <sup>1</sup>	A12 Acrylic Prismatic Pattern 12 A15 Acrylic Prismatic Pattern 15 A19 Acrylic Prismatic Pattern 19 For thicker lens, specify - Example: A12125	U 120V-277V 347 347V	F835 35K 80CRI T8 Lamps Installed F5835 35K 85CRI T5 Lamps Installed GLR Fast Blow Fuse EL Emergency Battery Pack EL5 Emergency Battery Pack, T5 or T5HO PAF Paint After Fabrication SLL Spring Loaded Latches MS9 Master/Satellite Pair w/9' Harness EOR End of Row (SM/CM only) <sup>2</sup> INT Intermediate (SM/CM only) <sup>2</sup> CP Chicago Plenum
	SIZE 24 2' x 4'	LAMP TYPE 28 4', T5: 28 Watt 32 4', T8: 32, 30, or 25 Watt 54 4', T5HO: 54 or 51 Watt	DOOR STYLE FS Flush Steel FA Flush Aluminum RA Regressed Aluminum SFA Silver Flush Aluminum SRA Silver Regressed Aluminum	BALLAST E Electronic T8, Instant Start 4E 4-Lamp Electronic T8, Instant Start EP Electronic T5 or T8, Programmed Start 4EP 4-Lamp Electronic T5HO or T8, Programmed Start For specific ballast vendor, show as option.	

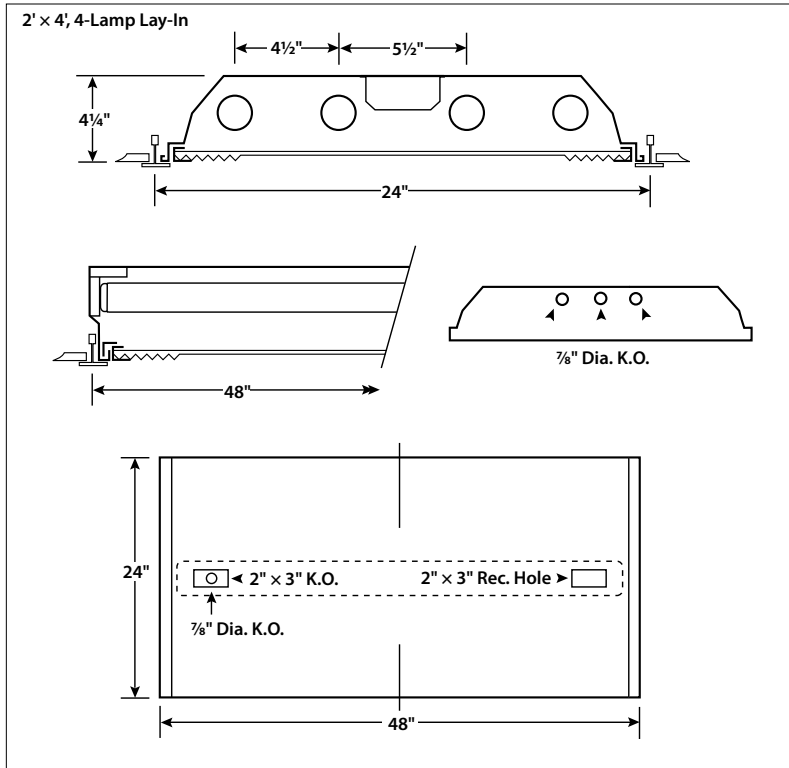
**ACCESSORIES (ORDER SEPARATELY)**

**CM48Y2SC3F-KIT** 48" Cable Mount Kit for 2' Wide CM ceiling type, 3 Wire Feed Cord

<sup>1</sup> Order hanger accessories separately.  
<sup>2</sup> Provides end wiring access for continuous row mounting.

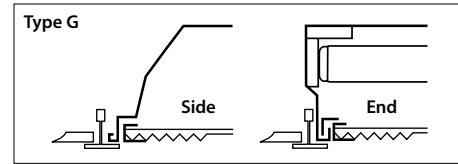


**DIMENSIONAL DATA**

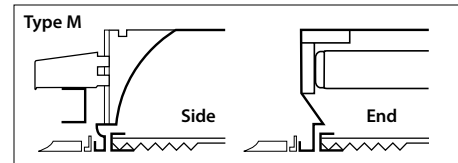


**NOTE:** All dimensions are in inches; dimensions and specifications are subject to change without notice. Please consult factory or check sample for verification.

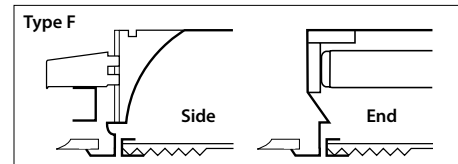
**CEILING COMPATIBILITY**



For lay-in installation in exposed grid ceilings. Maximum tee widths of 1" and maximum tee heights of 1 1/2" allowed.



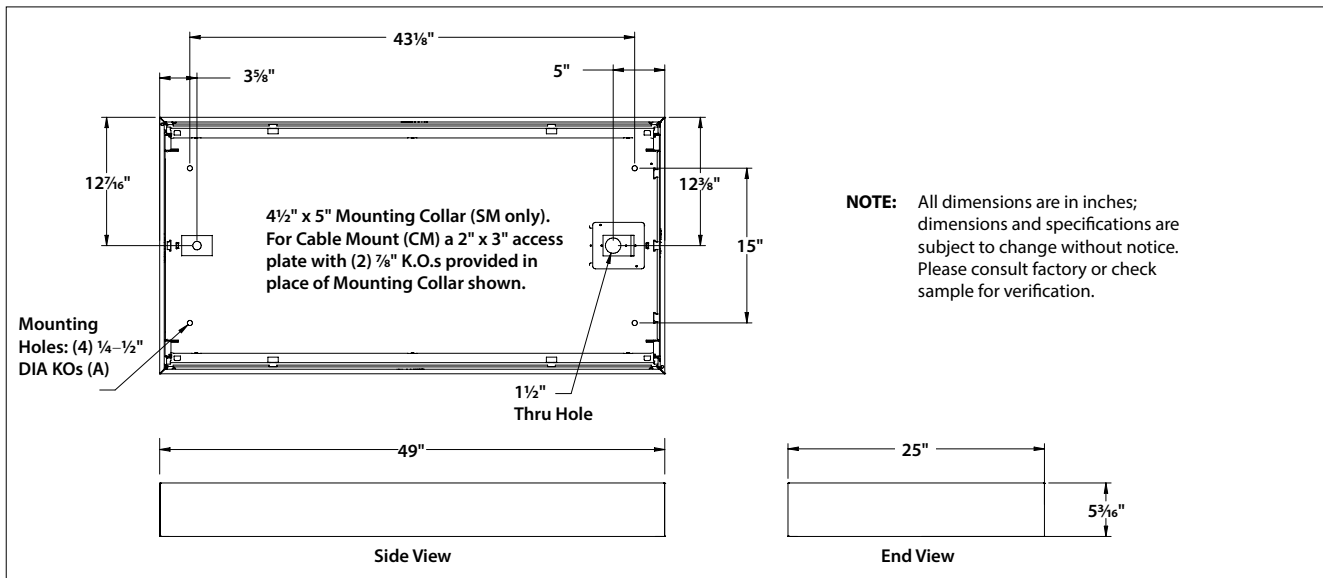
"Fit-in" style extruded trim aligns with modular tile joint. Fixture is supported from concealed suspension, includes adjustable wing hangers. 4 1/2" overall fixture height.



Overlapping trim conceals edges of ceiling opening. Wing hanger suspension included. 4 1/2" overall fixture height.

**Flanged cut out dimension for single unit only: 24 1/8" x 48 1/8"**

**DIMENSIONAL DATA - SURFACE MOUNT (SM) OR CABLE MOUNT (CM)**



**NOTE:** All dimensions are in inches; dimensions and specifications are subject to change without notice. Please consult factory or check sample for verification.

**SURFACE MOUNT**

Order SM ceiling type. Mounting collar required for surface mounting. (4) Mounting knock-outs, 1/4" to 1/2" provided as shown, marked "A".

**CABLE MOUNT**

Order CM ceiling type. Access plate supplied for cable mounting or suspension. Use CM48Y2C3F-KIT 48" cable mount kit. Includes 3 wire feed cord. For other wiring needs, contact Hubbell Lighting representative. Mounting knock-outs, 1/4" to 1/2" provided as shown, marked "A".