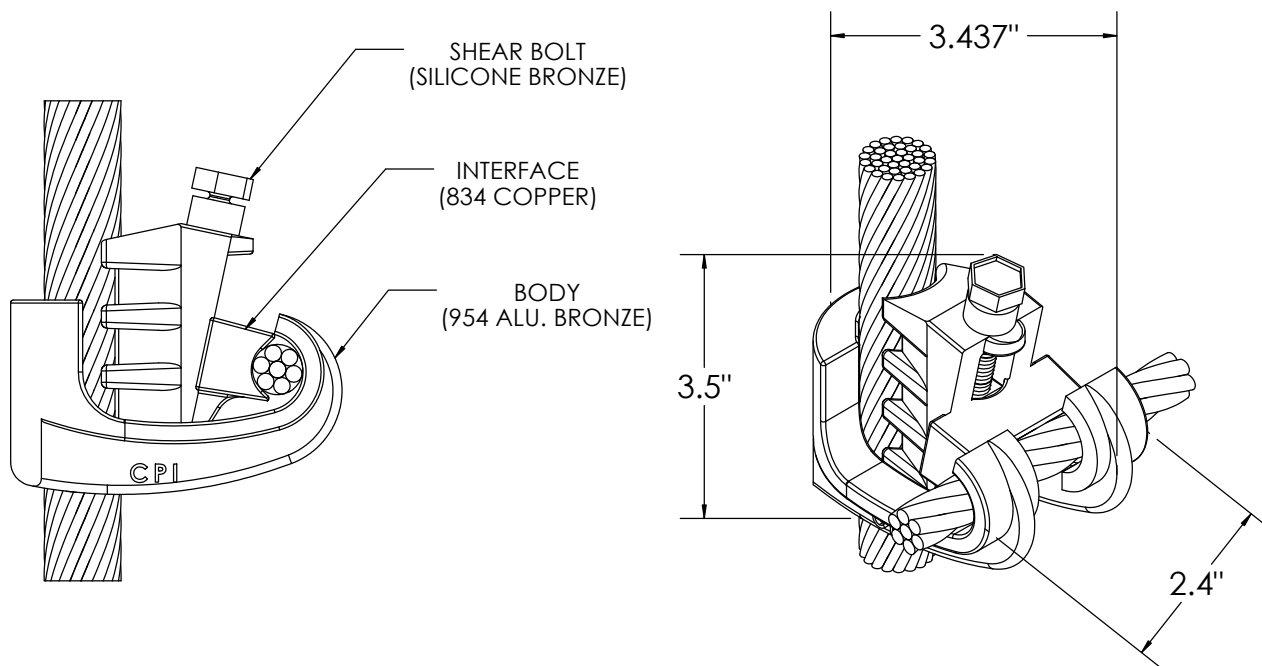


# 500 MCM SERIES GROUND GRID CONNECTORS



Conductor Range		Catalog #
From	To	
500 MCM (.813") 450 MCM (.769")	500 MCM (.813") 450 MCM (.769")	900200
500 MCM (.813")	400 MCM (.726")	
500 MCM (.813") 450 MCM (.769")	350 MCM (.679") 300 MCM (.629") 3/4 ROD (.680")	900201
450 MCM (.769") 400 MCM (.726")	400 MCM (.726")	
500 MCM (.813") 450 MCM (.769")	250 MCM (.574") 5/8" ROD (.556") 4/0 STR (.522")	900202
350 MCM (.679")	350 MCM (.679") 300 MCM (.629") 3/4 ROD (.680")	
400 MCM (.726")	250 MCM (.574") 5/8" ROD (.556")	
500 MCM (.813") 450 MCM (.769")	1/0 STR (.368") 2/0 STR (.419")	900203
3/4" ROD (.680" - .750")	2/0 STR (.419") 3/0 STR (.470")	

**STANDARD PACKAGE:** Full Carton: 24 Units: 11" x 11" x 7" Box: 48 Lbs.