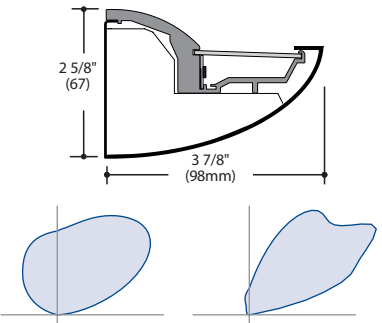
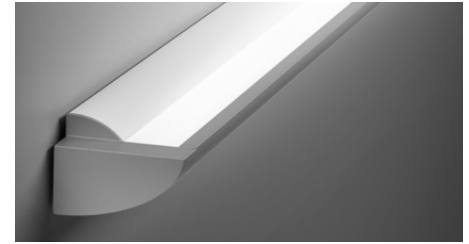


Fixture Type:  
Project Name:

### Ordering Guide

Feature	Code	Options	Description
<b>Series</b>		54L	Wall Arcos LED
<b>Mounting</b>		W	Wall-Mounted
<b>Fixture distribution</b>		AI	Asymmetric Indirect
<b>Row length (in feet)</b>		____'	Enter in foot increments. Note fixture lengths below.
<b>Max length in row</b>		02 03 04 06 08	24-1/16" 610mm 36-1/32" 914mm 48", 1219mm 72", 1829mm 96", 2438mm
<b>Finish/Color</b>		C1 C2 C3 C4 C5 C6 CC	Matte White (Default) Textured, Matte White Light Silver Machined Aluminum Carbon Black Textured, Camera Black Custom Color
<b>Color temperature</b>		30K 35K 40K	3000K 3500K 4000K
<b>Output/ft</b> <i>(specifiable in 50 lumens/ft increments)</i>		I030 I100	300 (min) see "Driver" section for limitations 1000 (max)
<b>Driver</b>		NDM D01 DS1 D00 DS0	Non Dimming 1% Dimming, 0-10V Soft Start 1% Dimming Dim-to-off Soft-Start Dim-to-off (1%)
<b>Circuiting</b>		1C	1 Circuit
<b>Voltage</b>		UNV 120 240 277	Universal Voltage (120 or 277) 120 Volt 240 Volt 277 Volt

Optional Features	Code	Options	Description
<b>Nightlight</b>		_NL	Nightlight Circuit Required. Enter quantity. 2NL = 2 nightlight circuits/row
<b>Thru-wiring</b>		W1 W2 W3	No Thru Wire Provide Normal and Emergency Thru Wiring* Provide Normal Thru Wiring Only *Only applicable when specified with emergency
<b>Rough-in wiring</b>		FL JB	Flex (standard) Junction Box Plate
<b>High Performance Reflector</b>		HPR	High Performance Reflector



### Key Features

- Variable Intensity technology provides a range of specifiable outputs and resulting fixture wattages
- Asymmetric distribution
- High performance reflector option

### Performance

Nomenclature	Lumens/ft	W/ft	Efficacy
I030	300 (min)	4.0	75
I035	350	5.0	70
I040	400	5.5	73
I045	450	6.5	69
I050	500	7.0	71
I055	550	8.0	69
I060	600	9.0	67
I065	650	9.5	68
I070	700	10.5	67
I075	750	11.5	65
I080	800	12.5	64
I085	850	13.5	63
I090	900	14.5	62
I095	950	15.5	61
I100	1000 (max)	16.0	63

(wattage may vary up to 5% from published)



Quick Find [litecontrol.com](http://litecontrol.com)

**54L-W**

### Details

**Construction:**

Extruded aluminum housing. Aluminum LED module snaps into housing.

**Mounting:**

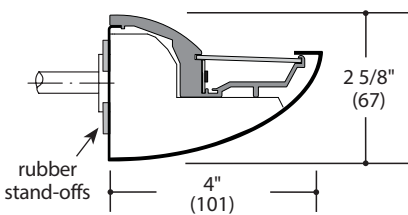
Provided with brackets which offset fixture 1/2" from wall to accommodate wiring connections and wall irregularities.

**Fixture length:**

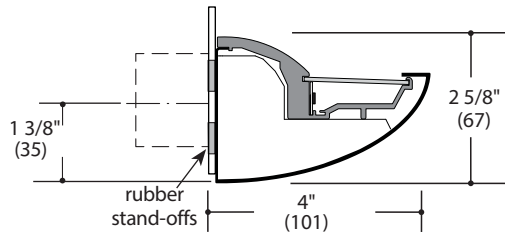
- 02 (24-1/16", 610mm)
- 03 (36-1/32", 914mm)
- 04 (48", 1219mm)
- 06 (72", 1829mm)
- 08 (96", 2438mm)

### Planning for Installation

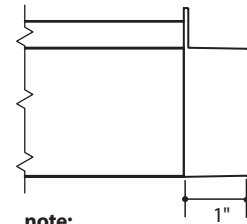
**Standard Mounting with Flex Conduit**



**Optional Mounting with Junction Box**

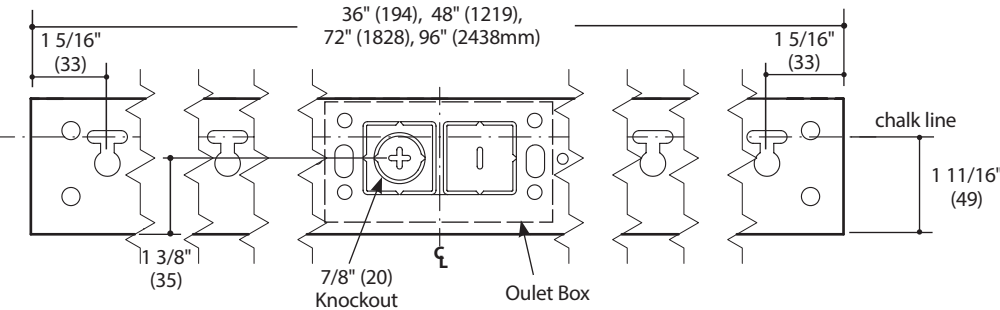


**End Cap**



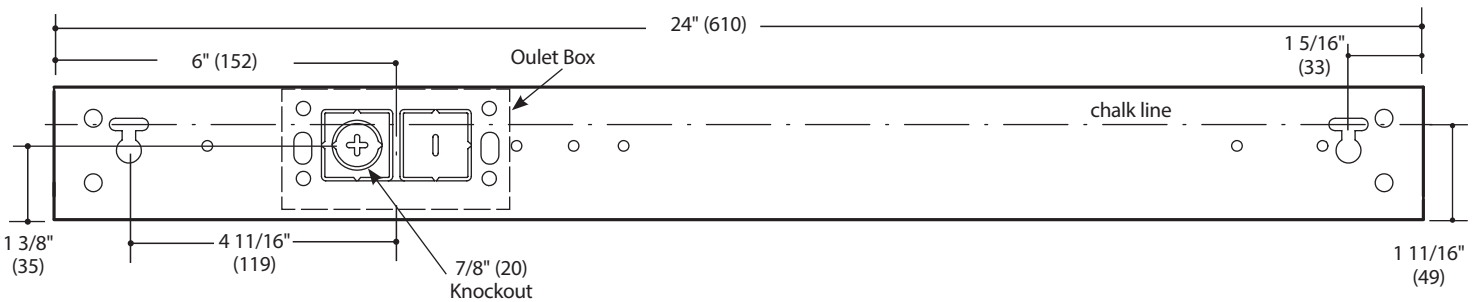
**note:**  
End cap adds 2" (25mm) to fixture length

**Back View 3', 4', 6' 8' Fixtures**



- T-slot for #10 mounting screw
- 7/8" break away for electrical feed (flex conduit connector)
- Removable break away tabs for easy access to outlet box and electrical feed

**Back View 2' Fixture**



Details (continued)

**Finish/Color:**

Housing can be painted standard or custom colors. LED module is white. Visit [www.litecontrol.com/finishes](http://www.litecontrol.com/finishes) for details.

**CCT:**

30K-3000K  
35K-3500K  
40K-4000K

**Color Variation:**

2 step MacAdam ellipse

**Output (VI technology):**

Variable Intensity (VI) technology allows precise specification of fixture output/wattage. Fixture will be programmed and labeled to specification. See output section for available increments.

**Output:**

Specify in 50 lumens increments/ft within the below range:

	Lumens/ft	Nomenclature
Min:	300	I030
Max:	1000	I100

**Driver:**

- NDM: Non-dimming. Fixture will be wired for fixed light output.
- D01: 100%-1% dimming range. Fixture will be wired for low voltage 0-10V dimming control.
- DS1: Soft-Start 100%-1% dimming range. Fixture will be wired for low voltage 0-10V dimming control.
- D00: Dim-to-off 100%-1% Dimming range. Fixture will be wired for low voltage 0-10V dimming
- DS0: Soft-Start Dim-to-off 100%-1% dimming range. Fixture will be wired for low voltage 0-10V dimming control.

**Circuiting:**

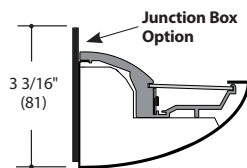
1C (1 Circuit) Fixture wired for a single circuit.

**Nightlight:**

See separate LC-Nightlight spec sheet for additional details.

**Rough-in Wiring**

- FL Flex is standard. Fixture is provided without a junction box cover; field connections assumed to be to 3/8" flex conduit with whip and snap-in fitting.
- JB Optional Junction Box plate. Fixture is provided with a junction box cover for field connections within a standard outlet box.



**Emergency:**

Integral-not available  
Inverter-compatible (by others)

**Thru wiring:**

See separate LC-Thruwire spec sheet for additional details.

**High Performance Reflector:**

Specular reflector and clear lens which provides greater peak intensity at a lower angle.

**Power feed:**

Fixture intended to be wired with 3/8" flexible whip.

**Field accessibility:**

LED boards and drivers can be accessed and removed from fixture, while installed.

**CRI:**

80 minimum

**Rated Life:**

Tested in accordance to LM79-2008 & derived from EPA TM21 calculator  
L70: 160,000 (calculated per TM21 extrapolated curve)  
L70: >36,288 (reported per TM21/LM80 6x's limitation)  
L90: 50,000 (calculated per TM21 extrapolated curve)  
L90: >36,288 (reported per TM21/LM80 6x's limitation)

**Fixture weight:**

2.5 lbs/ft.

**Ratings:**

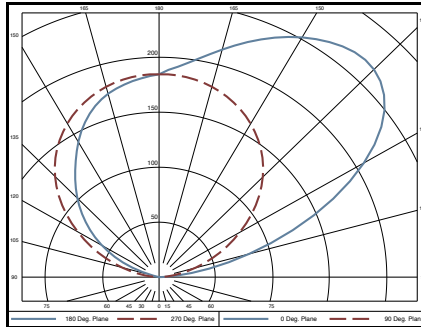
CSA listed for damp locations. IBEW. AF of L.

**Warranty:**

LED boards-5 years  
LED drivers (standard)-5 years  
LED drivers (Lutron)-3 years

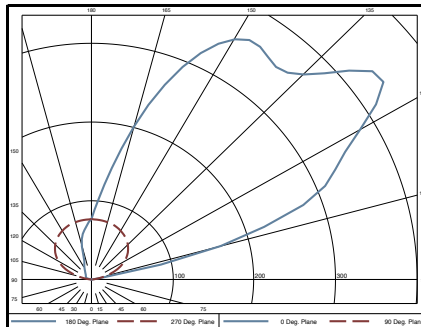
### Photometry

**Fixture:** 15L-CC-AI-X-02-C1-35K-I030  
**CCT:** 3500K  
**Output:** I030  
**Nominal lumens:** 300 lumens/ft  
**Efficacy:** 76.7 lm/W  
**Test report:** 15L-CC-AI-X-02-C1-35K-I030



Zonal Lumens		
Zone	Lumens %	Lamp %
0-30	0	0
0-40	0	0
0-60	0	0
0-90	0	0
90-120	142	22
90-130	259	40
90-150	492	76
90-180	648	100
0-180	648	100

**Fixture:** 15L-CC-AI-X-02-C1-35K-I030 (HPR)  
**CCT:** 3500K  
**Output:** I030  
**Nominal lumens:** 300 lumens/ft  
**Efficacy:** 74.4 lm/W  
**Test report:** 15L-CC-AI-X-02-C1-35K-I030 (HPR)



Zonal Lumens		
Zone	Lumens %	Lamp %
0-30	0	0
0-40	0	0
0-60	0	0
0-90	0	0
90-120	200	32
90-130	332	53
90-150	533	85
90-180	628	100
0-180	628	100