

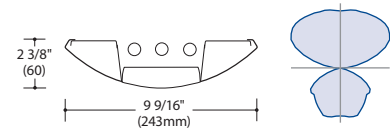
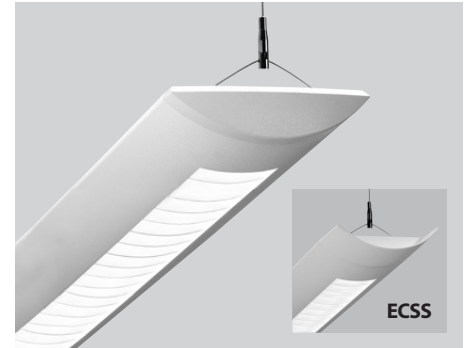
## Arcos® Pendant Indirect /Direct

Fixture Type:

Project Name:

### Ordering Guide

Feature	Code	Options	Description
<b>Series</b>		59	Arcos
<b>Mounting</b>		P	Pendant
<b>Fixture distribution</b>		ID	Indirect/Direct
<b>Row length (in feet)</b>		----	Enter in foot increments. Note fixture lengths below.
<b>Max length in row</b>		04 08	4', 1219mm 8', 2438mm
<b>Diffuser</b>		PS PW PA PSO PWO PAO SGL	Parabolic Baffle, Semi Specular Aluminum Parabolic Baffle, White Parabolic Baffle, Silver Parabolic Baffle, Semi-Specular w/Overlay Parabolic Baffle, White w/Overlay Parabolic Baffle, Silver w/Overlay Soft Glow Lens
<b>Finish/Color</b>		C2 C6 CC	Textured, Matte White Textured, Camera Black Custom Color
<b>Lamping</b>		1T5 1T5HO 1T8 2T5 2T5HO 2T8 3T5 3T5HO 3T8	1-Light T5 Lamping 1-Light T5HO Lamping 1-Light T8 Lamping 2-Light T5 Lamping 2-Light T5HO Lamping 2-Light T8 Lamping 3-Light T5 Lamping 3-Light T5HO Lamping 3-Light T8 Lamping
<b>Ballast (non-dimming T5/HO)</b>		NPN	Electronic, program-start
<b>Ballast (non-dimming T8)</b>		NIN NPN NIL NPL NIH NPH	Electronic Electronic, program-start Electronic, low-wattage Electronic, low-wattage, program-start Electronic, high light output Electronic, high light output, program-start
<b>Ballast (dimming)</b>		010V LVD DALI LLS	0-10V Dimming Line Voltage Dimming Dali System Light Level Switching 50/100 See <i>Ballast</i> section for additional dimming ballast options
<b>Circuiting</b>		1C 2C	1 Circuit 2 Circuit-In Board/ Out Board
<b>Voltage</b>		UNV 120 277 347	Universal Voltage 120 Volt 277 Volt 347 Volt
<b>Suspension kit</b>		FA1 FA2 FA3 FA4	Suspension Kit, 51" Suspension Kit, 87" Suspension Kit, 219" Suspension Kit, 363" * Add suffix /V to replace all 2" non-feed canopy covers with 5" canopy covers. FA1/V = 51" suspension kit w/ 5" canopies; Stems (where applicable), canopies, and feed cord are supplied in white regardless of fixture color unless otherwise specified



### Key Features

- Steel housing
- Arcuate shape

CS™ Control Solutions available

Quick Find litecontrol.com

**59-P-ID**

Arcos® Pendant Indirect /Direct

Ordering Guide (continued)

Optional Features	Code	Options	Description
<b>Nightlight</b>		_NL	Nightlight Circuit Required. Enter quantity. 2NL = 2 nightlight circuits/row
<b>Emergency</b>		_EF	Emergency Battery Required. Enter quantity. 2EF = 2 emergency batteries/row
<b>Thru-wiring</b>		W1 W2 W3	No Thru Wire Provide Normal and Emergency Thru Wiring* Provide Normal Thru Wiring Only *Only applicable when specified with emergency
<b>End cap</b>		ECSS	End Cap, Shelf Style
<b>Sensors</b>		_SD1 _SO2	Daylight Sensor Required. Enter quantity. 2SD1 = 2 daylight sensors/row Occupancy Sensor Required. Enter quantity. 1SO2 = 2 occupancy sensors/row
<b>Data connection</b>		_DCF	Data connection cables required. Enter quantity. 2DCF = 2 cables/row
<b>Pattern boxes</b>		C90 C135 TEE CROSS	Non-lighted Corner connector, 90 Non-lighted Corner connector, 135 Pattern Box, "T" Shape Pattern Box, "X" Shape
<b>Covers</b>		L1 L2 L3 CV DS DP	Lens Kit, Dust Cover Cover, PFCV20/80 Cover, PFCV40/60 Cover, 100% Down Separator Reflector, Solid Separator Reflector, Perf
<b>Fuse</b>		F	Fuse
<b>T-Bar Clips</b>		CB1 CB2 CB3	T-bar clip - 15/16" T-bar clip - 9/16" T-bar clip - 9/16" SS *To be ordered with Luminaire Canopy Box, see page 4 for details

# Arcos® Pendant Indirect /Direct

## Details

### Construction:

Housing-steel. Perforated areas are 1 3/4" wide. At center of 8' fixtures, perforations are interrupted for 6 1/2" to match patterns of joined 4' fixtures. End caps-die-cast. Sculpted-style is standard. "Shelf-style" (ECSS) available as option.

### Mounting:

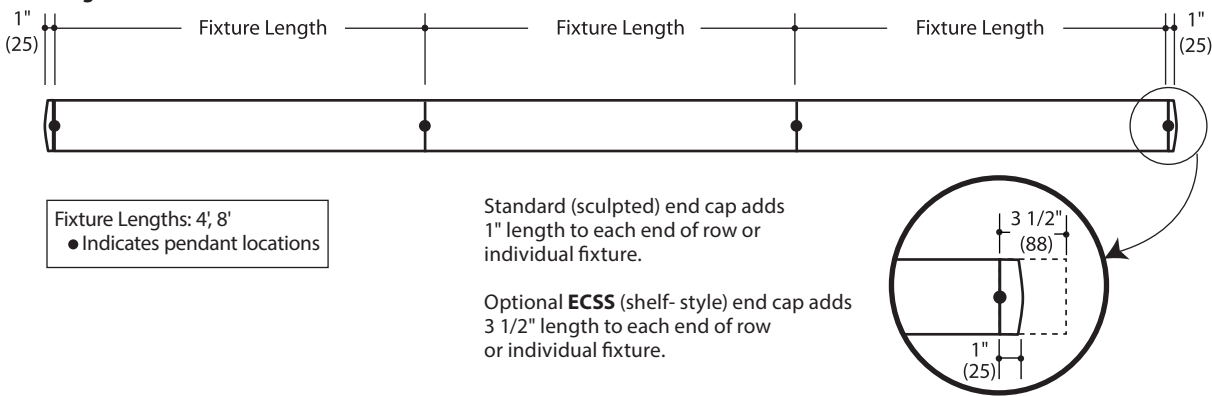
#### Suspension Assemblies

Provided with 3/32" diameter field adjustable aircraft cables (**FAI/ACC**) in 51" lengths (4' nominal). Longer length aircraft cables of 87" and 219" are available upon request. See Stems & Aircraft Cables sheets for further details.

#### Suspension Mounting Locations

Pendant locations at ends of rows. Yoke with field adjustable aircraft cable attach directly to the end header at fixture end or row joint. Allows for horizontal adjustment to "fine-tune" side-to-side leveling.

#### Row diagram



### Distribution:

65/35 (nominal) indirect/direct.

### Downlight diffuser (I/D only):

PS-Parabolic Baffle, Semi Specular Aluminum  
PW-Parabolic Baffle, White  
PA-Parabolic Baffle, Silver  
PSO-Parabolic Baffle, Semi-Specular w/Overlay  
PWO-Parabolic Baffle, White w/Overlay  
PAO-Parabolic Baffle, Silver w/Overlay  
SGL-Soft Glow Lens

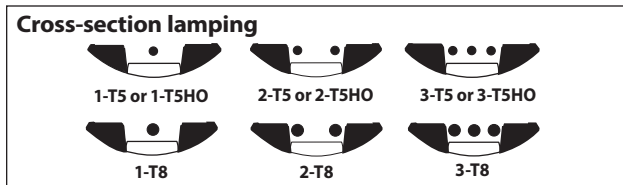
### Finish/Color:

Visit [www.litecontrol.com/finishes](http://www.litecontrol.com/finishes) for details.

### Lamping:

Indirect/Direct

Available in one, two or three-lamp T5/T5HO & T8 configurations.



### Ballast:

Electronic Ballast (**ELB** is for T8 lamping or **ELB/PS** is for T5/T5HO lamping), electronic, high power factor, thermally protected Class P, Sound Rated A, less than 10% THD, manufactured by a UL Listed manufacturer, as available, determined by Litecontrol. Ballasts with a voltage range of 120 to 277 will be used when fixture configuration and ballast availability allow. The minimum number of ballasts will be used.

### Additional Dimming Ballast Options:

LE30	Lutron EcoSystem-3 Wire	(Normal Ballast Factor)
LEH0	Lutron EcoSystem-H Series	(Normal Ballast Factor)
LEH7	Lutron EcoSystem-H Series	(High Ballast Factor)
LEI0	Lutron EcoSystem-Intelligent	(Normal Ballast Factor)
LH3D	Lutron HiLume 3D-3 Wire	(Normal Ballast Factor)
LH37	Lutron HiLume 3D-3 Wire	(High Ballast Factor)
LHHL	Lutron HiLume-Traditional	(Normal Ballast Factor)
LHID	Lutron HiLume-3D Intelligent	(Normal Ballast Factor)
LHI7	Lutron HiLume-3D Intelligent	(High Ballast Factor)

### Circuiting:

1C (1 Circuit) Fixture wired for a single circuit.

2C (2 Circuit in-board, out-board) Inner & outer lamps are switched separately.

## Arcos® Pendant Indirect /Direct

### Details (continued)

**Suspension Kit:**

3/32" diameter field-adjustable aircraft cable. Ship separately. Suspension required at every row joint. Mounting points are exactly 48" & 96" (4' & 8' fixture lengths respectively)

**Nightlight:**

See separate LC-Nightlight spec sheet for additional details.

**Emergency:**

Battery-powered ballast from a listed manufacturer will operate one lamp for 90 minutes.

**Thru wiring:**

See separate LC-Thruwire spec sheet for additional details.

**Canopy covers:**

Non-feed-2" diameter (unless 5" non-feed cover is specified). Feed-5" diameter.

**Sensors:**

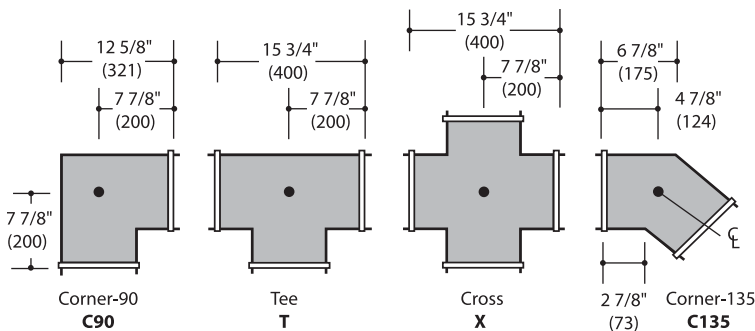
Daylight sensor only (Wattstopper part# FD301). Installs between diffusers. See separate LC-Controls spec sheet for additional details.

**Data Connection:**

Lutron EcoSystem data feed

**Pattern Boxes:**

Extruded aluminum, non-perforated. Each box shall have a rigid cross-member with a .687" diameter stem hole at center to accept pendant assemblies.



**Fuse:**

Slow or fast blow; determined by Litecontrol.

**Feed cord:**

4-wire, 7 amps max; 5-wire, 5 amps max.

**Ratings:**

CSA listed for damp locations. IBEW. AF of L.

**Warranty:**

1 year  
see [www.litecontrol.com](http://www.litecontrol.com) for details

**Luminaire Canopy Box:**

See separate [LC instructions](#) for additional details  
\*For use with Grid Ceilings only

**T-Bar Clips:**

See separate [LC instructions](#) for additional details  
\*For use with Grid Ceilings only

## Arcos® Pendant Indirect /Direct

### Photometry

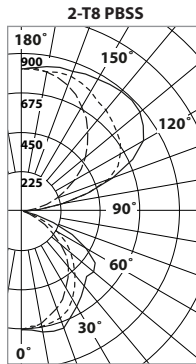
**Fixture:** 59-P-ID-04-PA-CX-2T8

**Lamping:** 2-T8

**Efficiency:** 85%

**Distribution:** 65/35

**Test report:**



ZONAL LUMEN SUMMARY			
ZONE	LUMENS	% LAMP	% LUMINAIRE
180-90°	3240	55.86	65.47
90-0°	1708	29.46	34.53
180-0°	4948	85.32	100.00

 **Quick Find** [litecontrol.com](http://litecontrol.com) **59-P-ID**