

| | |
|------------|-----------|
| DATE: | LOCATION: |
| TYPE: | PROJECT: |
| CATALOG #: | |

60L

WALL/SLOT® 6000 LED

FEATURES

- Variable Intensity technology provides a range of specifiable outputs and resulting fixture wattages
- 2 SDCM color variation
- 4", 5" or 6" aperture wall grazer
- 10 color temperature choices
- Available with optional Luminance Control Deflector (LCD)



SPECIFICATIONS

CONSTRUCTION

- Fixture Housing: Steel
- Ends provided with hole to accommodate wiring
- Supplied with external brackets for row mounting
- Aluminum LED module rests in housing
- Fixture Support Rail: Extruded aluminum wall-mounted rail that provides fixture support and, along with provided splines, ensures fixture alignment
- Provides reveal at wall to compensate for wall construction irregularities

OPTICAL PERFORMANCE

- 2 SDCM color consistency, 80 or 90 CRI

INSTALLATION

- Fixture system must be installed prior to installation of ceiling
- Finish of wall should extend 7" above finished ceiling height

ELECTRICAL

- 1C (1 Circuit) fixture wired for a single circuit
- LED boards and drivers can be accessed and removed from fixture, while installed

CERTIFICATIONS

- CSA listed for damp locations
- IBEW
- AF of L
- IC Rated
- This product qualifies as a "designated country construction material" per FAR 52.225-11 Buy American-Construction. Materials under Trade Agreements effective 8/14/2020. See [Buy American Act Solutions](#). Not applicable with configurations including SpectraSync, NX, or sensors.

WARRANTY

- LED boards - 5 years
- LED drivers (standard) - 5 years
- LED drivers (Lutron) - 3 years
- See www.litecontrol.com for details

| KEY DATA | |
|-------------------------------|-----------------------------|
| Lumen Range Per Foot | 300-950 |
| Wattage Range Per Foot | 2.6-9.4 |
| Efficacy Range (LPW) Per Foot | 101-119 |
| Rated Life (Hours) Per Foot | L70: >61,000 L90: 49,000 |

60L

WALL/SLOT® 6000 LED

ORDERING GUIDE

Example: 60L-G-24-8-C1-35K-D095-D01-1C-UNV-2SE

CATALOG # _____

| 60L | | | | | |
|-------------------------------------|---------------------------|--|--|---------------------------|---|
| Series | Ceiling Type | Row Length (In Feet) | Max Length In Row | Finish/Color ² | Color Temperature |
| 60L Wall/Slot® 6000 LED | PT Plaster Trim G Grid | ___' Enter in foot increments ¹ | 2 2', 610mm 3 3', 914mm 4 4', 1219mm 6 6', 1829mm 8 8', 2438mm | C1 Matte White | 27K 2700K ³ 30K 3000K 35K 3500K 40K 4000K 50K 5000K ³ 27K9 2700K, 90 CRI ³ 30K9 3000K, 90 CRI 35K9 3500K, 90 CRI 40K9 4000K, 90 CRI 50K9 5000K, 90 CRI ³ |
| LS60L Litespeed Wall/Slot® 6000 LED | | | | | |

| Output/ft ⁴ | Driver | Circuiting | Voltage | Straight Run Termination |
|--|--|--------------|--|--|
| D030 300 (min) to D095 950 (max) | D01 1% Dimming, 0-10V D00 Dim-to-Off DS1 Soft Start 1% Dimming DS0 Soft-Start Dim-to-Off (1%) LEC Hi-lume 1% Ecosystem LED Driver DALI DALI ³ DALIP Powered by DALI (2.0) ³ NDM Non Dimming | 1C 1 Circuit | UNV Universal Voltage (120V through 277V) 347 347 Volt ^{3,7} | EC End Cap. Enter quantity. SE Straight Extension, 2"-12". Enter quantity |

OPTIONAL

| Luminance Control Deflector | Patterns | Nightlight | Thru-wiring | Chicago Environmental Air Modification |
|---------------------------------|---|---|--|---|
| LCD Luminance Control Deflector | PTRN Contact factory for pattern configuration ⁵ | NL Nightlight Circuit Required. Enter quantity. 2NL = 2 nightlight circuits/row | W1 No Thru Wire W2 Provide Normal and Emergency/Nightlight Thru Wiring ⁶ W3 Provide Normal Thru Wiring Only | CCEA Chicago Environmental Air Modification |

Notes:

- 1 Note Max Length In Row, 200' max for LITESPEED orders.
- 2 Visit www.litecontrol.com/finishes for details.
- 3 Additional lead time may be applicable. Contact factory.
- 4 Specifiable in 50 lumen increments. Reference the Performance Data Table for full performance offering and exceptions.
- 5 Approval drawings required.
- 6 Only applicable when specified with Emergency/Nightlight.
- 7 Excludes LEC, DALI, and DALIP Dimming Drivers.

60L

WALL/SLOT® 6000 LED

PERFORMANCE DATA TABLE

The table below shows the delivered lumens for the various lumen outputs and beam distributions. Use this chart in connection with the output multiplier capability to deliver any output required.

| NOMENCLATURE | LUMENS/FT | WATTAGE/FT | EFFICACY |
|--------------|-----------|------------|----------|
| D030* | 300 | 2.6 | 114 |
| D035* | 350 | 2.9 | 119 |
| D040 | 400 | 3.5 | 114 |
| D045 | 450 | 4.0 | 114 |
| D050 | 500 | 4.4 | 114 |
| D055 | 550 | 5.0 | 110 |
| D060 | 600 | 5.4 | 111 |
| D065 | 650 | 6.0 | 108 |
| D070 | 700 | 6.6 | 106 |
| D075 | 750 | 7.0 | 107 |
| D080 | 800 | 7.6 | 105 |
| D085 | 850 | 8.2 | 103 |
| D090 | 900 | 8.8 | 102 |
| D095 | 950 | 9.4 | 101 |

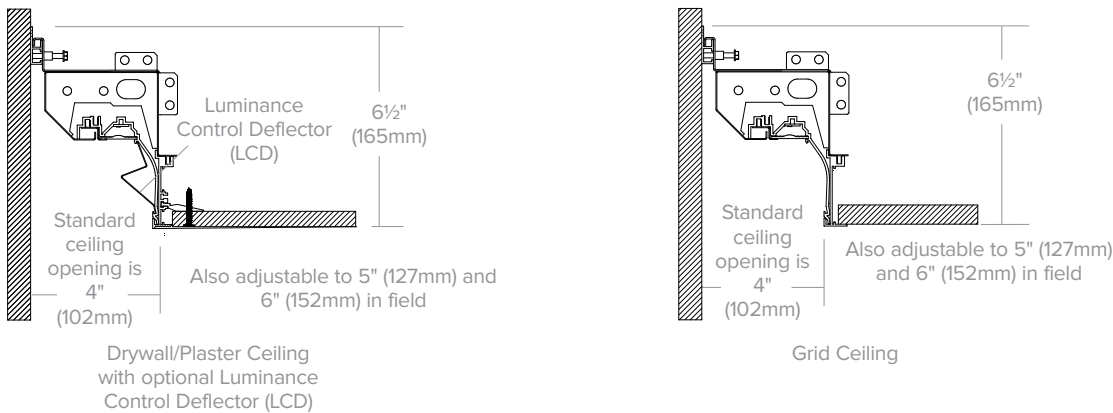
(Wattage may vary up to 5% from published)
*D030 and D035 not available in 2ft

Output Multiplier Table

Photometrics for the 60L are published here at a nominal 3500K temperature. This table may be used to approximate the lumen values at different Kelvin temperatures. Power consumption would stay the same.

| Option | 2700K | 3000K | 3500K | 4000K | 5000K | 2700K 90 CRI | 3000K 90 CRI | 3500K 90 CRI | 4000K 90 CRI | 5000K 90 CRI |
|----------------|-------|-------|-------|-------|-------|--------------|--------------|--------------|--------------|--------------|
| Multiplier | 0.95 | 0.98 | 1.00 | 1.03 | 1.05 | 0.83 | 0.85 | 0.88 | 0.90 | 0.93 |
| LCD Multiplier | 0.86 | 0.88 | 0.90 | 0.93 | 0.95 | 0.75 | 0.77 | 0.79 | 0.81 | 0.84 |

DIMENSIONS

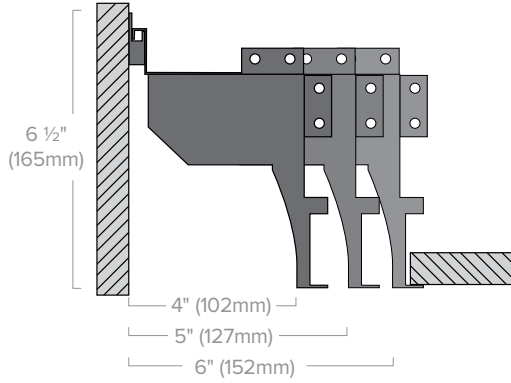


60L

WALL/SLOT® 6000 LED

DIMENSIONS CONTINUED

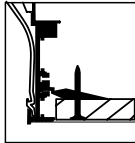
Adjustable Ceiling Opening



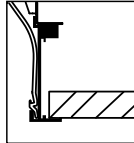
Ceiling Type (Specify the Applicable Ceiling)

PT Plaster Trim

Accommodates a range of drywall thicknesses: 1/2", 3/4", 5/8" and 1".

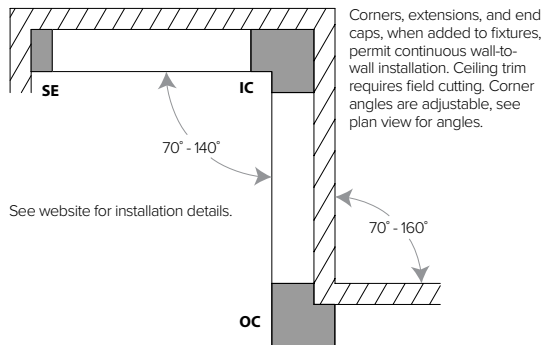


G Grid



Patterns

Plan View



Connector Details

| Connector | Ceiling Opening | Extension or Corner Dimensions (Minimum-Maximum along wall in parenthesis) |
|----------------|-----------------|---|
| SE IC OC | 4" | SE Straight Extension (2"-12") IC Inside Corner - 90° (6"-16"), 135° (4"-13") OC Outside Corner - 90° (2"-12"), 135° (2"-12") |
| | 5" | SE Straight Extension (2"-12") IC Inside Corner - 90° (7"-16"), 135° (4"-13") OC Outside Corner - 90° (2"-12"), 135° (2"-12") |
| | 6" | SE Straight Extension (2"-12") IC Inside Corner - 90° (8"-16"), 135° (5"-14") OC Outside Corner - 90° (2"-12"), 135° (2"-12") |

60L

WALL/SLOT® 6000 LED

PHOTOMETRY

60L-G-04-C1-35K-DXX-D01-1C-UNV-W1

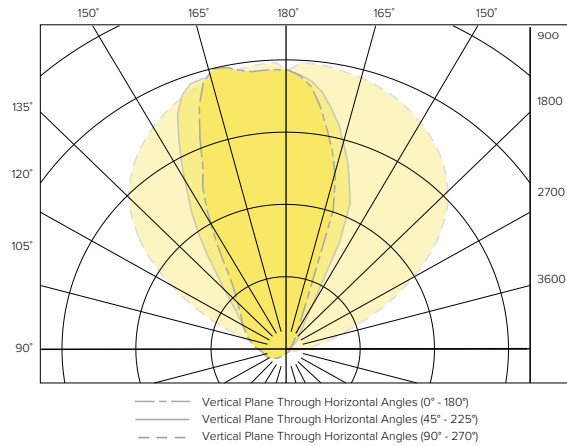
LUMINAIRE DATA

| | |
|-------------------|--------------------|
| Test No. | 19.01099 |
| Description | 4' Wall/Slot 3500K |
| Delivered Lumens | 5726 |
| Watts | 56.6W |
| Efficacy | 101.2 |
| Mounting | Wall/Slot |
| Spacing Criterion | 1.39 |

ZONAL LUMEN SUMMARY

| Zone | Lumens | % Luminaire |
|-------|--------|-------------|
| 0-40 | 3212 | 56.1 |
| 0-60 | 4599 | 80.3 |
| 0-90 | 5455 | 95.3 |
| 0-180 | 5726 | 100.0 |

POLAR GRAPH



60L-G-04-C1-35K-DXX-D01-1C-UNV-LCD-W1

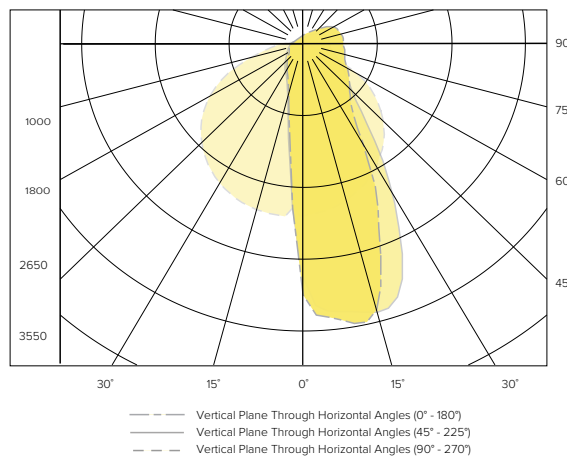
LUMINAIRE DATA

| | |
|-------------------|-----------------------------|
| Test No. | 19.01089 |
| Description | 4' Wall/Slot 3500K with LCD |
| Delivered Lumens | 5126 |
| Watts | 56.6W |
| Efficacy | 90.6 |
| Mounting | Wall/Slot |
| Spacing Criterion | 1.38 |

ZONAL LUMEN SUMMARY

| Zone | Lumens | % Luminaire |
|-------|--------|-------------|
| 0-40 | 2305 | 45.0 |
| 0-60 | 3567 | 69.6 |
| 0-90 | 4576 | 89.3 |
| 0-180 | 5126 | 100.0 |

POLAR GRAPH

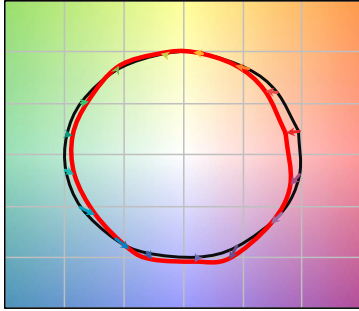


60L

WALL/SLOT® 6000 LED

TM-30 DATA

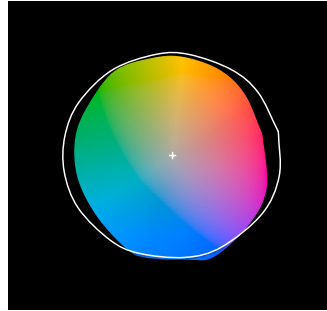
COLOR VECTOR GRAPHIC



*Graphics shown are at 35K

— Reference Illuminant — Test Source

COLOR DISTORTION GRAPHIC



| TEST RESULTS - 3500K | |
|----------------------|---------|
| Value | 80+ CRI |
| CCT (K) | 3644 |
| CIE R _a | 83 |
| D _{UV} | -0.0006 |
| R _f | 82 |
| R _g | 95 |
| x | 0.3970 |
| y | 0.3851 |

ADDITIONAL INFORMATION

Output (VI Technology)

Variable Intensity (VI) technology allows precise specification of fixture output/wattage. Fixture will be programmed and labeled to specification. See output section for available increments.

Driver

| | |
|-------|---|
| D01 | 100%- 1% dimming range. Fixture will be wired for low voltage 0-10V dimming control. |
| D00 | Dim-to-Off 100%-1% dimming range. Fixture will be wired for low voltage 0-10V dimming control. |
| DS1 | Soft-Start 100%-1% dimming range. Fixture will be wired for low voltage 0-10V dimming control. |
| DS0 | Soft-Start Dim-to-Off 100%-1% dimming range. Fixture will be wired for low voltage 0-10V dimming control. |
| LEC | Hi-Lume 1% EcoSystem LED Driver with Soft-On, Fade-to-Black dimming technology. |
| DALI | DALI compatible. |
| DALIP | Self-Powered DALI bus (e.g. DEXAL) |
| NDM | Non-dimming. Fixture will be wired for fixed light output. |

Luminance Control Deflector:

Shields LEDs from direct view and minimizes shadows on wall. Shield can be installed either during or after fixture installation without tools - output multiplier (.9)

Rated Life

Test in accordance to the LM79-2008 and derived from EPA TM-21 calculator

L70: >61,000 (reported per TM-21/LM80 6x's limitation)

L90: 49,000 (reported per TM-21/LM80 6x's limitation)

Fixture Weight

5.5 lbs/ft.