

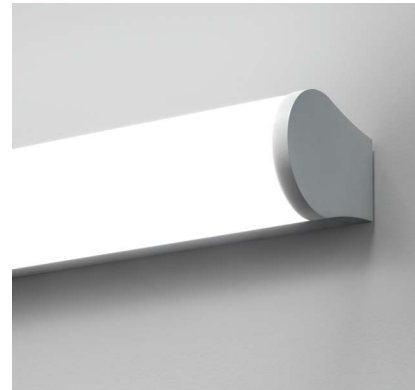
DATE: _____ LOCATION: _____
 TYPE: _____ PROJECT: _____
 CATALOG #: _____

67L-W-D

NOTE LED WALL DIRECT

FEATURES

- Variable Intensity technology provides a range of specifiable outputs and resulting fixture wattages
- 2 SDCM color consistency
- Up to 127 LPW efficacy
- Output range from 550 to 2000 lumens/ft
- Removable Lens for ease of accessibility and installation



RELATED PRODUCTS

- Ø [67L-P-D](#) Ø [67L-S-D](#)

SPECIFICATIONS

CONSTRUCTION

- Fixture housing: extruded aluminum
- End caps: die cast aluminum
- Lens: acrylic

OPTICAL PERFORMANCE

- 2 SDCM color consistency, 80 or 90 CRI

INSTALLATION

- Installs with anchor screws (by others) for mounting directly to surface with 2x4 junction box
- A 2x4 junction box cover ships separately
- Each row joining uses #8-32 machine screws/nuts for pulling the fixture flush at the end header location
- Lenses ship installed
- End caps must be installed on site

ELECTRICAL

- 1C (1 Circuit) fixture wired for a single circuit
- Lens, LED Boards and drivers can be accessed and removed from installed fixture
- LED Boards can be replaced as part of a module

CERTIFICATIONS

- CSA listed for damp location
- ADA Compliant
- This product qualifies as a "designated country construction material" per FAR 52.225-11 Buy American-Construction. Materials under Trade Agreements effective 8/14/2020. See [Buy American Act Solutions](#). Contact factory for configurations including SpectraSync, NX, or sensors.

WARRANTY

- LED boards - 5 years
- LED drivers (standard) - 5 years
- LED drivers (Lutron) - 3 years
- See www.litecontrol.com for details

KEY DATA	
Lumen Range Per Foot	550-2000
Wattage Range Per Foot	4.2-15.7
Efficacy Range (LPW)	118-134
Rated Life (Hours)	L70: >61,000 L90: >61,000

67L-W-D

NOTE LED WALL DIRECT

ORDERING GUIDE

Example: 67L-W-D-8-8-DM-C1-35K-D150-D01-1C-UNV-FA1

CATALOG # _____

67L	Series	Mounting	Fixture Distribution	Row Length (In Feet)	Max Length In Row	Lens Type	Finish/Color ²
67L	Note	W Wall	D Direct	___' Enter in foot increments ¹	2 2', 610mm 3 3', 914mm 4 4', 1219mm 6 6', 1829mm 8 8', 2438mm	DM Dome BL Bell SQ Square	C1 Matte White (Default) C2 Textured, Matte White C3 Light Silver C4 Machined Aluminum C5 Carbon Black C6 Textured, Camera Black CC Custom Color

Color Temperature	Output/ft ⁴	Driver	Circuiting	Voltage
27K 2700K	D055 550 (min)	D01 1% Dimming, 0-10V	1C 1 Circuit	UNV Universal Voltage (120V through 277V)
30K 3000K	to	D00 1% Dim-to-Off, 0-10V		347 347 Volt ⁸
35K 3500K	D200 2000 (max)	D05 SpectraSync 5% Dimming, 0-10V ²		
40K 4000K		DS1 1% Dimming w/ Soft Start, 0-10V		
50K 5000K ³		DS0 1% Dim-to-Off w/ Soft Start, 0-10V		
27K9 2700K, 90 CRI		LEC Hi-lume 1% Ecosystem LED Driver		
30K9 3000K, 90 CRI		DALI DALI ³		
35K9 3500K, 90 CRI		DALIP Powered by DALI (2.0) ³		
40K9 4000K, 90 CRI		NDM Non-Dimming		
50K9 5000K, 90 CRI ³				
2230TD 2200K-3000K SpectraSync™ Dim-to-Warm ⁶				
2750T 2700K-5000K SpectraSync™ Tunable White ⁶				
2765T 2700K-6500K SpectraSync™ Tunable White ⁶				

OPTIONAL

Nightlight	Emergency	Thru-wiring
NL Nightlight Circuit Required. Enter quantity. 2NL = 2 nightlight circuits/row	EF 10W Emergency Battery Pack ^{5,10}	W1 No Thru Wire W2 Provide Normal and Emergency/Nightlight Thru Wiring ¹⁰ W3 Provide Normal Thru Wiring Only

Control Options ³

NX Standalone	
NXS	NX, PIR BT Occupancy/Daylight Sensor, Slide Mount ^{11,12,13}
NX Networked – Wired	
NXE	NX, Dual SmartPorts ^{11,12}
NXES	NX, PIR BT Occupancy/Daylight Sensor, Slide Mount, Dual SmartPORTS ^{11,12}
NX Networked – Wireless	
NXSW	NX Wireless, PIR BT Occupancy/Daylight Sensor ^{11,12,13}
NXWE	NX Wireless Wireless Enabled ^{11,12}
NX Networked – Wired/Wireless	
NXSWD	NX Wireless, PIR BT Occupancy/Daylight Sensor, Dual SmartPORTS ^{11,12,13}
NXWD	NX Wireless, Dual Smart Ports ^{11,12}
Sensors	
SD1	Daylight Sensor Required
SO4	Occupancy Sensor Required

Notes:

- 200' max for LITESPEED orders.
- Visit www.litecontrol.com/finishes for details.
- Additional lead time may be applicable. Contact factory.
- Specifiable in 50 lumen increments. Reference the Performance Data Table for full performance offering and exceptions.
- Some configurations may require drawings for approval.
- *Must be ordered with D05 Driver option; excludes 2' and 3' lengths; excludes D160-D200 output options
- Must be ordered with 2230TD, 2750T or 2765T option
- Excludes Emergency Battery Pack Option and D05, DALI, DALIP and Lutron (LEC) Dimming Drivers.
- Excludes 2' and 3' lengths and D160-D180 Driver options. LITESPEED limited to D055-D155 outputs.
- Only applicable when specified with Emergency/Nightlight.

NX In-Fixture Control Options:

- Not available for row mounting. Only available with 0-10V Driver options. Contact factory for Length restrictions.
- Refer to NX Integrated Controls Reference Table for Functionality of Options.
- NX Sensors with Bluetooth, BLE, provides remote commission only.

67L-W-D

NOTE LED WALL DIRECT

CONTROLS



NX Distributed Intelligence™ Lighting Controls:

Supports both indoor and outdoor applications in a variety of deployment options- wired, wireless, hybrid. Integrates with and enables a wide array of luminaires including those with SpectraSync Color Tuning Technology.

NX INTEGRATED CONTROLS REFERENCE								
NX Option	Sensor	Networkable	Scheduling	Occupancy	Daylight Harvesting	0-10V Dimming	On/off Control	Bluetooth® App Programming
NX Standalone								
NXS	NXSMP-SMI	No	Yes	Yes	Yes	Yes	Yes	Yes
NX Networked – Wired								
NXE	N/A	Yes	Yes	No	No	Yes	Yes	Requires NXBTC/R ¹
NXES	NXSMP-SMI	Yes	Yes	Yes	Yes	Yes	Yes	Yes
NX Networked – Wireless								
NXSW	NXSMP-SMI	Yes	Yes	Yes	Yes	Yes	Yes	Yes
NXWE ²	N/A	Yes	Yes	No	No	Yes	Yes	No ³
NX Networked – Wired/Wireless								
NXSWD	NXSMP-SMI	Yes	Yes	Yes	Yes	Yes	Yes	Yes
NXWD	N/A	Yes	Yes	No	No	Yes	Yes	Requires NXBTC/R ^{1,3}

- 1 NXBTC/R needs to be plugged into an available NX SmartPort™ on the fixture network
- 2 Programming via App requires factory assistance
- 3 To program NXWE option, need to consult factory. If connected to an area controller, programming can be done from that

SpectraSync™ Color Tuning Technology:

Control your space based on the needs of the application, specific activities throughout the day and preferences of the occupants with distinct SpectraSync™ Color Tuning Technologies.



SPECTRASYNC COLOR TUNING TECHNOLOGY		
Mode	Kelvin Range	Description
Dim to Warm	2200K-3000K	Mimics the familiar warming effect that occurs with traditional incandescent sources as they are dimmed
Tunable White	2700K-5000K 2700K-6500K	Offers users the ability to tailor CCT to their personal preference, enhancing task visibility, material and colors or the aesthetics of the space
Scheduled White	2700K-5000K 2700K-6500K	Mimics the rhythm of natural light or follows an alternative user-defined schedule throughout the day, enhancing an occupant's mood and well-being

67L-W-D

NOTE LED WALL DIRECT

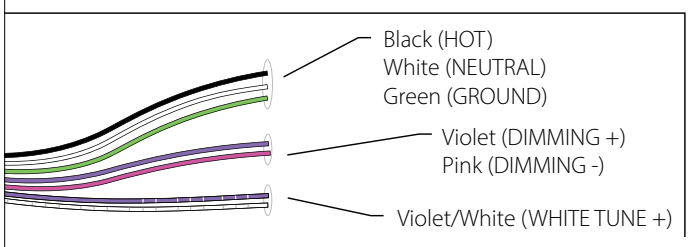
CONTROLS CONTINUED

SpectraSync Tunable White

Available in two options: 2750T (2700K–5000K) or 2765T (2700K–6500K).

Requires two 0–10V controllers, one for intensity and one for CCT.

Minimum 5% dimming.

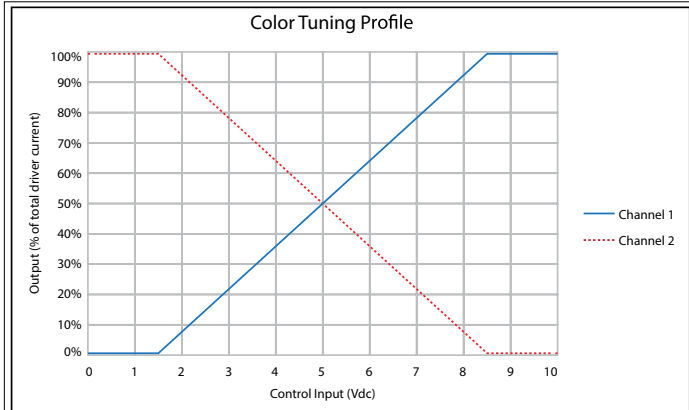


SpectraSync Tunable White luminaires are provided with two 0–10V circuits. The violet and pink circuit is for wiring to any qualified 0–10V controller for dimming. The violet/white and grey/white circuit is for wiring to any qualified 0–10V controller for Tunable White CCT control.

Controller Manufacturer Data

SpectraSync Tunable White was designed to be used with sinking style dimmers (provided by others) and is compatible with:

- Hubbell Control Solutions (HCS): NX Distributed Intelligence™ Room Controllers (NXRC) and In-fixture Controllers (NXFM)
- Lutron: DDTV, DVSTV, and NFTV dimmers
- Wattstopper: ADF120277 and CD4BL (Titan) dimmers



67L-W-D

NOTE LED WALL DIRECT

PERFORMANCE DATA TABLE

The table below shows the delivered lumens for the various lumen outputs. Use this chart in connection with the output multiplier capability to deliver any output required.

Nomenclature	Lumens/Ft	W/Ft	Efficacy
D055	550	4.2	130
D060	600	4.7	128
D065	650	4.9	132
D070	700	5.4	131
D075	750	5.8	129
D080	800	6.0	133
D085	850	6.5	131
D090	900	6.7	134
D095	950	8.0	118
D100	1000	8.5	118
D105	1050	8.7	121
D110	1100	8.9	123
D115	1150	9.2	126
D120	1200	9.4	128
D125	1250	9.6	130
D130	1300	9.8	132
D135	1350	10.1	134
D140	1400	10.6	132
D145	1450	11.2	129
D150	1500	11.6	129
D155	1550	11.8	131
D160	1600	12.5	128
D165	1650	12.7	130
D170	1700	13.6	125
D175	1750	14.1	124
D180	1800	14.3	126
D185	1850	14.7	126
D190	1900	15.0	127
D195	1950	15.3	127
D200	2000	15.7	128

(Data shown is for a Dome Lens fixture. Wattage may vary up to 5% from published)

Output Multiplier Table

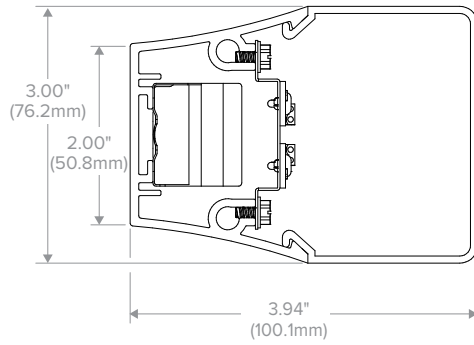
Photometrics for the 67L are published here at a nominal 3500K temperature. This table may be used to approximate the lumen values at different Kelvin temperatures. Power consumption would stay the same.

Option	2700K	3000K	3500K	4000K	5000K	2700K 90 CRI	3000K 90 CRI	3500K 90 CRI	4000K 90 CRI	5000K 90 CRI
Multiplier	0.95	0.98	1.00	1.03	1.05	0.83	0.85	0.88	0.90	0.93

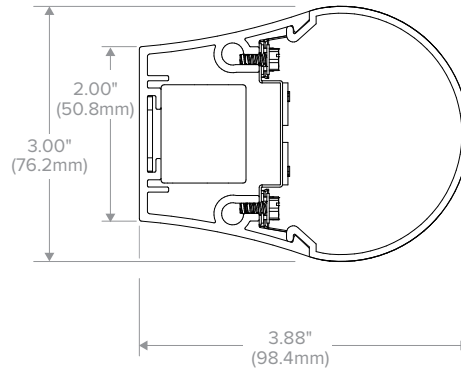
67L-W-D

NOTE LED WALL DIRECT

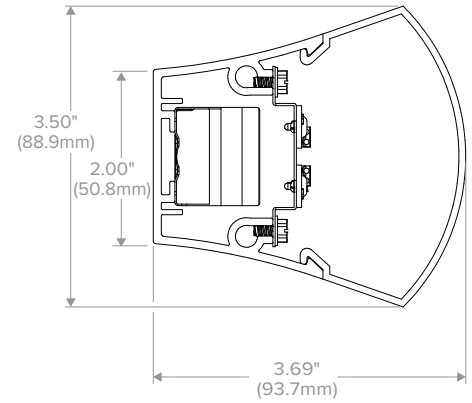
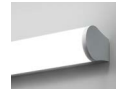
DIMENSIONS



Square



Dome



Bell



PHOTOMETRY

67L-W-D-4-4-DM-C1-35K-D060

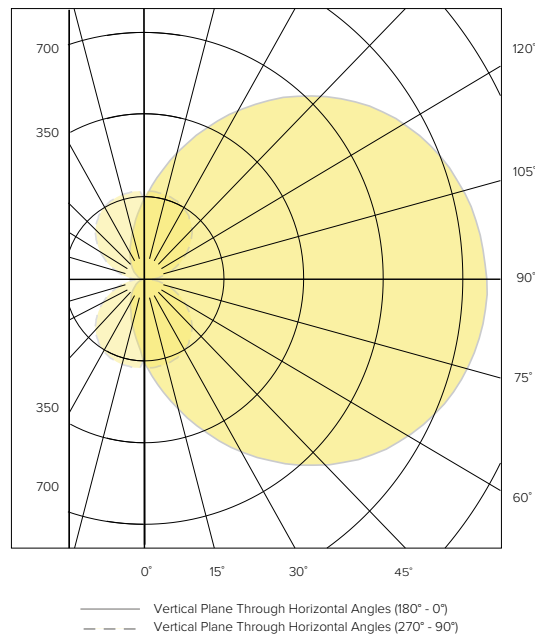
LUMINAIRE DATA

Test No.	R16.01696-01
Description	67L Note Dome Wall Direct
Delivered Lumens	2404
Watts	17.9W
Efficacy	134
Mounting	Wall

ZONAL LUMEN SUMMARY

Zone	Lumens	% Luminaire
0-40	270	11.2
0-60	606	25.2
0-90	1209	50.3
0-180	2404	100.0

POLAR GRAPH

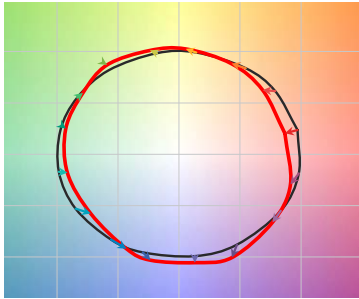


67L-W-D

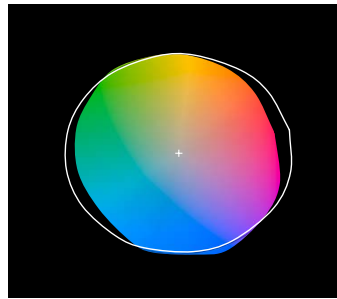
NOTE LED WALL DIRECT

TM-30 DATA

COLOR VECTOR GRAPHIC



COLOR DISTORTION GRAPHIC



*Graphics shown are at 35K

— Reference Illuminant — Test Source

TEST RESULTS - 3500K	
Value	80+ CRI
CCT (K)	3479
CIE R _a	83
D _{UV}	-0.0009
R _f	82
R _g	98
x	0.4055
y	0.3888

ADDITIONAL INFORMATION

Output (VI Technology)

Variable Intensity (VI) technology allows precise specification of fixture output/wattage. Fixture will be programmed and labeled to specification. See output section for available increments.

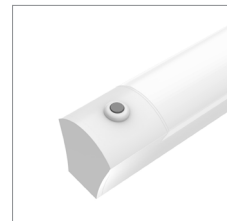
Driver

D01	100%- 1% dimming range. Fixture will be wired for low voltage 0-10V dimming control.
D00	Dim-to-Off 100%-1% dimming range. Fixture will be wired for low voltage 0-10V dimming control.
D05	100%-5% dimming range, Fixture will be wired for low voltage 0-10V dimming control. Only applicable if either 2230TD, 2750T or 2765T is selected.
DS1	Soft-Start 100%-1% dimming range. Fixture will be wired for low voltage 0-10V dimming control.
DS0	Soft-Start Dim-to-Off 100%-1% dimming range. Fixture will be wired for low voltage 0-10V dimming control.
LEC	Hi-Lume 1% EcoSystem LED Driver with Soft-On, Fade-to-Black dimming technology.
DALI	DALI compatible.
DALIP	Self-Powered DALI bus (e.g. DEXAL)
NDM	Non-dimming. Fixture will be wired for fixed light output.

Sensor

SD1	Daylight sensor (Wattstopper part #FD301). Installs on integrated sleeve.
SO4	Occupancy sensor (Wattstopper part #FS205). Installs on integrated sleeve.

See separate [LC-Controls](#) spec sheet for additional details.



Rated Life

Test in accordance to the LM79-2008 and derived from EPA TM-21 calculator

L70: 257,000 (calculated per TM-21 extrapolated curve)

L70: >61,000 (reported per TM-21/LM80 6x's limitation)

L90: 66,000 (calculated per TM-21 extrapolated curve)

L90: >61,000 (reported per TM-21/LM80 6x's limitation)

Fixture Weight

2 lbs/ft.