

Handwheel Guard

Overhead distribution transformers are used extensively throughout power distribution systems. The high voltage bushing connection terminals on these systems can present significant wildlife contact risk due to their close proximity to grounded structures and equipment. The innovative Reliaguard Handwheel Bushing Guard protects these energized risk points and prevents wildlife caused flashovers and power outages.



Features

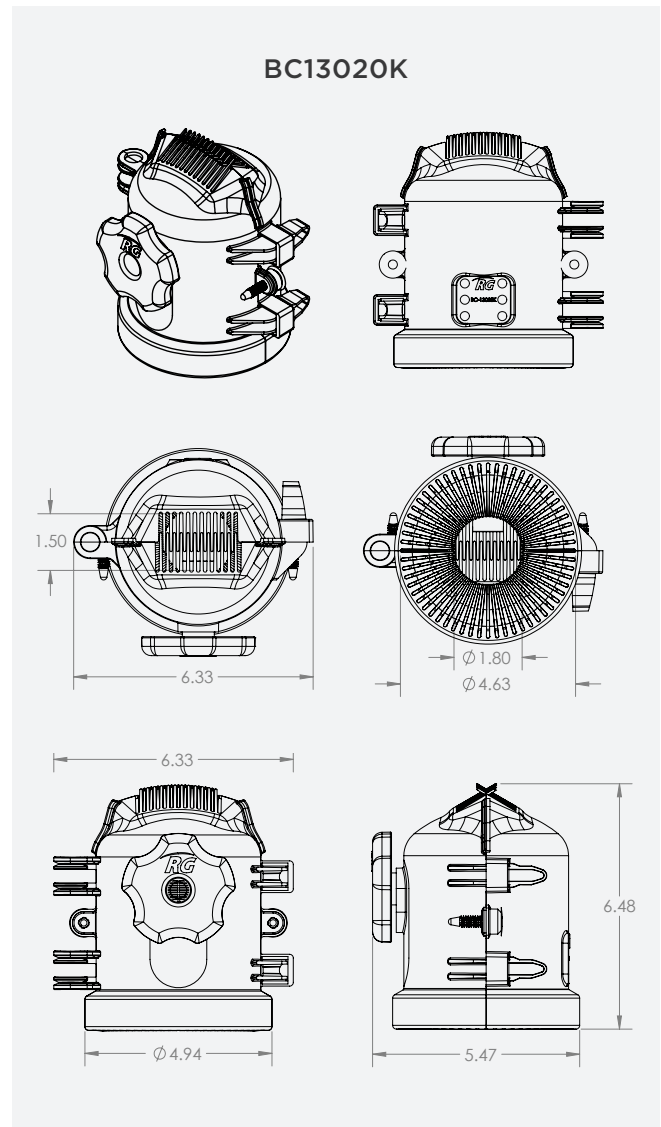
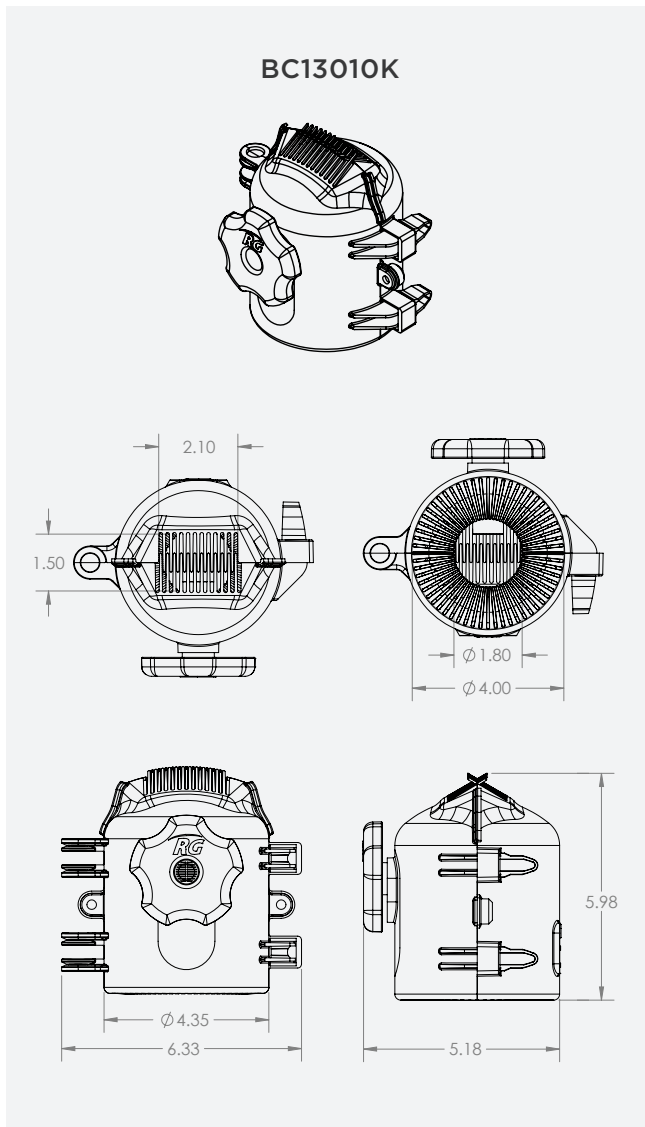
- Unique design that encloses the top insulator skirt to achieve appropriate air gap
- Handwheel allows toolless installation/tightening of the incoming conductor connection
- Large cable opening with overlapping fingers to prevent insect and wildlife ingress
- Robust loop latches that can be operated with gloved hands
- Wind retention to 90+ MPH
- UL94 V-0 flame retardant

Ordering Information

Description	Part Number	Max. Skirt Dia. (in.)	Pack Size (MOQ)
Handwheel Guard - Standard	BC13010K	3.9	24
Handwheel Guard - Bell Base	BC13020K	4.5	24

Handwheel Guard

Dimensional Drawing



A proud member of the Hubbell family.