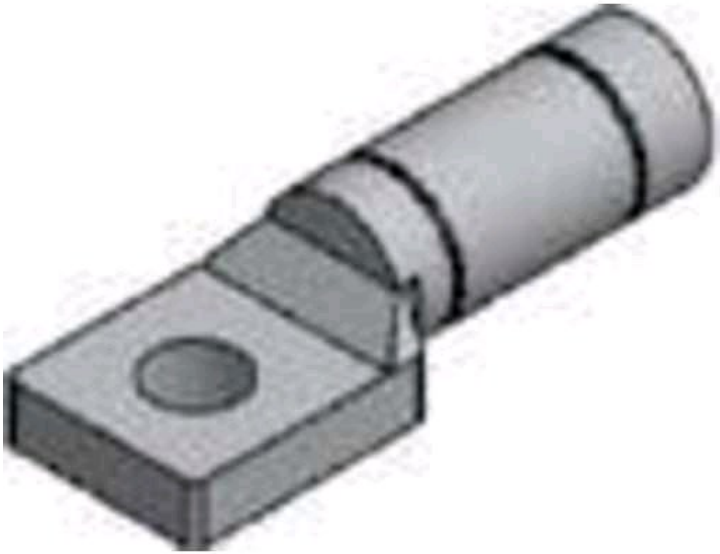


AMS3/0

by CMC

Catalog ID: AMS3/0



Aluminum One-Hole Terminal Lugs

- Standard mounting hole diameter is .562" for 1/2" bolts
- The end wall within the cable socket of this design is solid and pressure tight
- Connectors are pre-filled and plugged with electrical joint compound
- Marked with catalog number, conductor size and die reference
- Meets performance requirements of ANSI C119.4

Product Details

General

Die Size	<ul style="list-style-type: none"> • EEI 11A • Burndy WK840 • Burndy 249 • Kearney 840 • T&B TX • T&B 76
Material	Aluminum
UPC	192663118304

Dimensions

Depth	0.56 in
Length	3.25 in
Width	0.91 in

Conductor Related

Conductor - ACSR Cmpt Size	4/0 AWG
Conductor - ACSR Str Size	3/0 AWG

Conductor - Copper Str Compact Size	4/0 AWG
Conductor - Copper Str Size	3/0 AWG

Certifications and Compliance

Industry Standard(s)	ANSI C119.4
----------------------	-------------



CONNECTOR MANUFACTURING COMPANY
3501 Symmes Road
Hamilton, Ohio 45015 - 1369
513 - 860 - 4455(Press 2 for Customer Service and Sales)
To email customer Service: jrex@cmclugs.com

