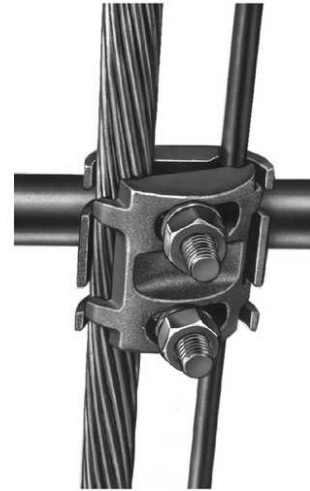


Grounding Clamp

By ANDERSON
Catalog # [GC1152B](#)

"Grounding Clamp, GS Bolted, Copper Cable to Flat, Cable 0.629"-0.813" dia. to 1/4" Thick Flat, one piece Clamp, Material: Casting-Bronze alloy, Hardware-Stainless steel or galvanized steel"



*Representative Image

Features

- "Everdur hardware supplied by adding Suffix ED"

General

EU RoHS Indicator	No
Material	Bronze
Material - Hardware	Stainless Steel
UPC	096359306269

Dimensions

Weight	0.490 lb
--------	----------

Conductor Related

Conductor Diameter - Maximum	0.419 in
Conductor Diameter - Minimum	0.204 in
Conductor Diameter Range	0.204 - 0.419
Conductor Type	Copper

Product Assets

[Sales Drawings - C-2917 \(GC115 Product Family\)](#)

[Technical Solutions - AN-GC1152B-SPEC-EN](#)

[Video - Hubbell Power Systems 3D Portal to help with developing 3D models of substation connector products \(VI05050E0619\)](#)

[Video - Hubbell Power Systems Quick Ship \(VI05124E1018\)](#)