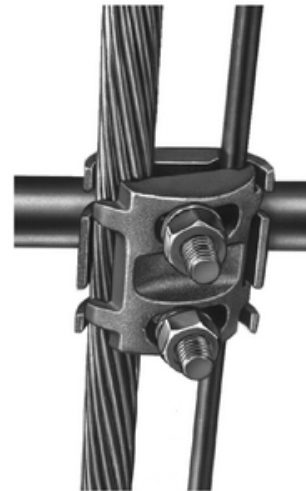


Grounding Clamp

By ANDERSON
Catalog # [GC1152C3](#)

Bronze alloy ground clamp for clamping two parallel copper cables perpendicular rod or tube



*Representative Image

Features

"Everdur hardware supplied by adding Suffix ED"

General

Bolt Installation Torque (Recommended)	0 ft-lbs
Catalog Number	GC1152C3
EU RoHS Indicator	No
Material	Bronze
Material - Hardware	Stainless Steel
UPC	096359306276

Dimensions

Weight	0.804 lb
--------	----------

Conductor Related

Conductor Diameter - Maximum	0.575 in
Conductor Diameter - Minimum	0.365 in
Conductor Diameter Range	0.365 - 0.575
Conductor Type	Copper

Logistics

Pallet Quantity	1680
-----------------	------

Product Assets

- [Sales Drawings - C-2917 \(GC115 Product Family\)](#)
- [Video - Hubbell Power Systems 3D Portal to help with developing 3D models of substation connector products](#)
- [Video - Hubbell Power Systems Quick Ship](#)