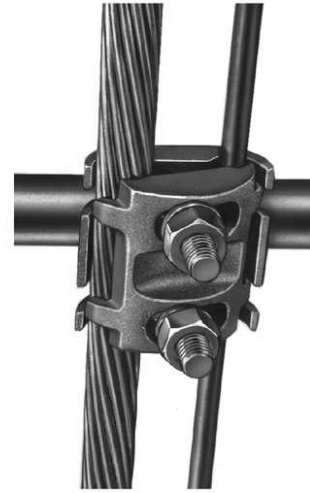


## Grounding Clamp

By ANDERSON  
Catalog # [GC1157C](#)

"Grounding Clamp, GS Bolted, Copper Cable to Flat, Cable 0.204"-0.630" dia. to 1/2" Thick Flat, Two piece Clamp, Material: Casting-Bronze alloy, Hardware-Stainless steel or galvanized steel"



\*Representative Image

### Features

- "Everdur hardware supplied by adding Suffix ED"

### General

EU RoHS Indicator	No
Material	Bronze
Material - Hardware	Stainless Steel
UPC	096359306351

### Dimensions

Diameter - Clamping Hardware	2 in
Diameter - Rod / Tube	2 in
Diameter - Rod / Tube Outside	2.5 in
Weight	2.156 lb

### Conductor Related

Conductor Diameter - Maximum	0.575 in
Conductor Diameter - Minimum	0.365 in
Conductor Diameter Range	0.365 - 0.575
Conductor Type	Copper

### Product Assets

[Sales Drawings - C-2917 \(GC115 Product Family\)](#)

[Technical Solutions - AN-GC1157C-SPEC-EN](#)

[Video - Hubbell Power Systems 3D Portal to help with developing 3D models of substation connector products \(VI05050E0619\)](#)

[Video - Hubbell Power Systems Quick Ship \(VI05124E1018\)](#)