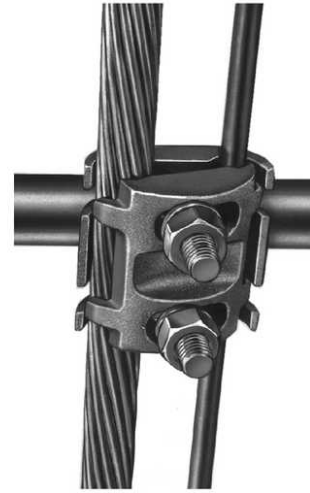


Grounding Clamp

By ANDERSON
Catalog # [GC1158B](#)

"Grounding Clamp, GS Bolted, Copper Cable to Flat, Cable 0.204"-0.630" dia. to 1/4" Thick Flat, Two piece Clamp, Material: Casting-Bronze alloy, Hardware-Stainless steel or galvanized steel"



*Representative Image

Features

- "Everdur hardware supplied by adding Suffix ED"

General

Material	Bronze
Material - Hardware	Stainless Steel
UPC	096359306368

Dimensions

Diameter - Clamping Hardware	2.5 in
Diameter - Rod / Tube	2.5 in
Diameter - Rod / Tube Outside	3 in
Weight	1.274 lb

Conductor Related

Conductor Diameter - Maximum	0.419 in
Conductor Diameter - Minimum	0.204 in
Conductor Diameter Range	0.204 - 0.419
Conductor Type	Copper

Logistics

Pallet Quantity	1260
-----------------	------

Product Assets

[Technical Solutions - AN-GC1158B-SPEC-EN](#)

[Video - Hubbell Power Systems 3D Portal to help with developing 3D models of substation connector products \(VI05050E0619\)](#)

[Video - Hubbell Power Systems Quick Ship \(VI05124E1018\)](#)