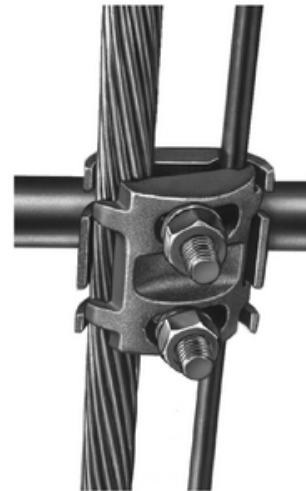


HUBBELL Power Systems

Grounding Clamp

By ANDERSON
Catalog # [GC1159B](#)

Bronze alloy ground clamp for clamping two parallel copper cables perpendicular rod or tube



*Representative Image

Features

"Everdur hardware supplied by adding Suffix ED"

General

Bolt Installation Torque (Recommended)	0 ft-lbs
Catalog Number	GC1159B
EU RoHS Indicator	No
Material	Bronze
Material - Hardware	Stainless Steel
UPC	096359306399

Dimensions

Diameter - Clamping Hardware	3 in
Diameter - Rod / Tube	3 in
Diameter - Rod / Tube Outside	3.5 in
Weight	1.764 lb

Conductor Related

Conductor Diameter - Maximum	0.419 in
Conductor Diameter - Minimum	0.204 in
Conductor Diameter Range	0.204 - 0.419
Conductor Type	Copper

Product Assets

- [Sales Drawings - C-2917 \(GC115 Product Family\)](#)
- [Video - Hubbell Power Systems 3D Portal to help with developing 3D models of substation connector products](#)
- [Video - Hubbell Power Systems Quick Ship](#)