

ARCEOS™ ARA SERIES

AREA/SITE

Cat.#

Job

Type



HUBBELL
Outdoor Lighting

Approvals

SPECIFICATIONS

Intended Use:

Pole mounted applications from twenty to forty feet. Applications include parking areas adjacent to Home Centers, Big-Box Retailers, Retail Centers, Stadiums, Arenas, and applications for campus parking areas, Auto Dealerships, and transportation hubs.

Construction:

- Innovative product design delivers exceptional thermal management in a highly styled luminaire
- Manufactured with die-cast, aluminum housing coated with a Lektrocole® polyester finish ensures excellent exterior durability
- Two directional air flow maximizes heat dissipation to prolong electrical component life and luminaire performance
- Performance is further optimized with thermal separation between LED light engines and LED drivers

LED/Optics:

- 32L configuration - 26,000 lumens, 293w
- 48L configuration - 40,000 lumens, 435w
- 64L configuration - 51,000 lumens, 580w
- PMMA lenses provide IES Types III, IV & V
- Specific optical distributions for Automobile dealerships are available
- Back light control is available for applications sensitive to light trespass; zero uplight ensures IDA approval; field rotation eases lighting design implementation
- Color temperatures offered: 3000K (70 CRI), 4000K (70 CRI), 5000K (70 CRI)

Electrical:

- Universal input voltage 120-277VAC, 50/60 Hz and 347-480VAC
- Ambient operating temperature range -40C to 40C
- Surge protection – 20KA; Shuts off at end of life

Controls/Options:

- wiSCAPE technology wireless system for on/off and 0-10VDC full range dimming control; programmable autonomous operation
- 0-10V dimming leads available for external controls provided by others
- NEMA twistlock Photocells for On/Off control
- Occupancy sensors with On/Off and dimming control
- In addition, ARCEOS can be specified with SiteSync™ wireless control system for reduction in energy and maintenance cost while optimizing light quality 24/7. See ordering information or visit www.hubbellighting.com/sitesync for more details.

Installation:

- Universal arm mounting and Mast arm options allow for installation flexibility for new construction and retrofit projects
- Modular design allows for 1 person installation

Finish:

- TGIC thermoset polyester paint finish applied at nominal 2.5 ml thickness

Listings:

- CSA Listed to UL1598 Wet Locations
- IDA approved
- IP65
- Suitable for 3G applications prescribed by ANSI C136.31

Warranty:

Five year limited warranty (for more information visit: <http://www.hubbelloutdoor.com/resources/warranty/>)

PRODUCT IMAGE(S)



ARA-32L

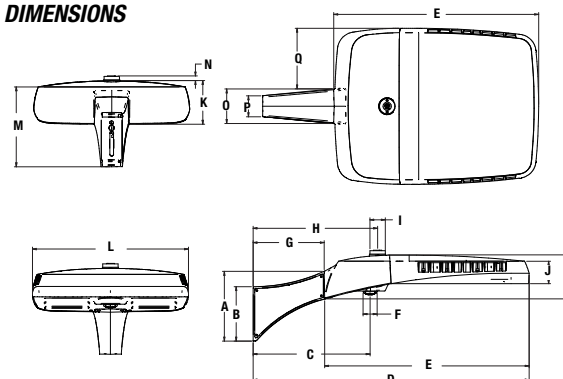


ARA-48L



ARA-64L

DIMENSIONS



A	B	C	D	E	F	G	H	I
11.62" 295mm	9.06" 230mm	19.50" 495mm	46.00" 1168mm	34.07" 863mm	2.34" 59mm	11.86" 301mm	20.75" 527mm	2.56" 65mm
J	K	L	M	N	O	P	Q	
3.74" 95mm	7.28" 184mm	26.00" 660mm	13.30" 337mm	.75" 19mm	5.74" 145mm	3.47" 88mm	10.10" 256mm	
Arm	Driver Enclosure	LED Array	Total Weight					
8.8 lbs. 3.9 kgs.	29.75 lbs. 13.5 kgs.	37.25 lbs. 16.9 kgs.	75.8 lbs. 34 kgs.					

CERTIFICATIONS/LISTINGS



IP65

ORDERING INFORMATION SEE NEXT PAGE

EPA

	Config.	EPA		Config.	EPA
	1	1.4		3 @ 120°	2.9
	2 @ 90°	2.4		3 @ 90°	2.9
	2 @ 180°	2.8		4 @ 90°	2.9



HUBBELL
Outdoor Lighting

Hubbell Outdoor Lighting • 701 Millennium Boulevard • Greenville, SC 29607 • Phone: 864-678-1000
Due to our continued efforts to improve our products, product specifications are subject to change without notice.



HUBBELL
Lighting

© 2020 HUBBELL OUTDOOR LIGHTING, All Rights Reserved • For more information visit our website: www.hubbelloutdoor.com • Printed in USA AR-A-SPEC May 18, 2020 3:34 PM

ORDERING INFORMATION ORDERING EXAMPLE: ARA3-A-64L5K-070-4-U-DB

ARA	3				070				
SERIES	NO. OF LEDS	LED COLOR	DRIVE CURRENT	FINISH	STANDARD OPTIONS				
ARA ¹ Arceos™ large area/site luminaire	64L 64 LEDs	3K 3000K, 70 CRI	070 700mA	BLT Black Matte Textured	BC⁷ Backlight control (see page 4)				
	48L 48 LEDs	4K 4000K, 70 CRI		BLS Black Gloss Smooth	TB Terminal block				
	32L 32 LEDs	5K 5000K, 70 CRI		DBT Dark Bronze Matte Textured	RPA(X) Round pole adapter (Replace X with 2, 3, 4, 4.5, 5 or 6 indicating pole diameter)				
SIZE	IES DISTRIBUTION				DBS Dark Bronze Gloss Smooth	F(X) Fusing (must specify discrete voltage)			
3 Large	1A Auto Front Row Type I			GTT Graphite Matte Textured	7PR Photocell receptacle (7-pin ANSI C136.41—2013 receptacle for use with standard Twist-Lock® photo controls, shorting caps, and ANSI C136.41 external wireless control devices. Select SCL option to add occupancy sensing capability when using with compatible external wireless devices)				
MOUNTING	1AL Auto Front Row Type I Rotated 90° left			LGS Light Grey Gloss Smooth					
A Arm (universal)	1AR Auto Front Row Type I Rotated 90° right			PSS Platinum Silver Smooth					
MAF Mast Arm Fitter for 2-3/8" horizontal arms or vertical tenons. Tilt options of 5° and 10° included in arm.	3 Type III			WHT White Matte Textured					
	3L Type III rotated 90° left			WHS White Gloss Smooth					
	3R Type III rotated 90° right			VGT Verde Green Smooth					
	4 Type IV			COLOR OPTION					
	4L Type IV rotated 90° left			CC Custom Color					
	4R Type IV rotated 90° right								
	5S Type V Short								
	5W Type V Wide								
			VOLTAGE						
			U 120V-277V 50/60Hz						
			1 120V						
			2 208V						
			3 240V						
			4 277V						
			5 480V, 50/60Hz						
			F 347V, 50/60Hz						
			E 220V, 50/60Hz						

CONTROLS GUIDE

As energy codes become more restrictive and we push for sustainable lighting designs, the integration of lighting controls and luminaires have become more and more important. Hubbell Lighting offers numerous outdoor lighting controls solutions for the most demanding applications. Visit the link below to learn more about energy-saving controls.

www.hubbellighting.com/solutions/controls/

- Notes: 1 - Order poles with #2 hole pattern
 2 - Not available with 480V
 3 - Not available with 347V or 480V
 4 - Not available with WIR or WIRSC
 5 - Not available with SCO, SCL, SCP or SCPW
 6 - 0-10V fully adjustable dimming with automatic daylight calibration and different time delay settings, must order minimum of one SCP-REMOTE control to program dimming settings (see accessories)
 7 - Not recommended for Type V distributions
 8 - Not available with other Occupancy or Wireless Control Options
 9 - Not available with 208, 240, 347 or 480V

Accessories and Services (Ordered Separately)

Catalog Number	Description
SWUSB*	SiteSync interface software loaded on USB flash drive for use with owner supplied PC (Windows based only). Includes SiteSync license, software and USB radio bridge node.
SWTAB*	Windows tablet and SiteSync interface software. Includes tablet with preloaded software, SiteSync license and USB radio bridge node.
SWBRG*	SiteSync USB radio bridge node only. Order if a replacement is required or if an extra bridge node is requested.

* When ordering SiteSync at least one of these two interface options must be ordered per project.
 + If needed, an additional Bridge Node can be ordered.

ACCESSORIES/REPLACEMENT PARTS - Order Separately

Catalog Number	Description
93054384	20KA surge protection 120-277V
93054385	20KA surge protection 347-480V
ARA3-BC	Backlight control for light trespass mitigation. Kit includes 4 bezel shields.
ARA3-MAF-XX-ACCY-KIT	Mast Arm Fitter for 2-3/8" horizontal arms or vertical tenons. Tilt options of 5° and 10° included in arm.
SCP-REMOTE	Remote control for SCP and SCPW options. Order at least one per project to program and control
SETA 2-XX'	Square pole tenon adapter (4 at 90 degrees)
RETA 2-XX'	Round pole tenon adapter (4 at 90 degrees)
TPLB-ARA3-XX'	Twin parallel luminaire bracket
WB-AREA-XX	Wall bracket, Compatible with standard arm mount option

1 Replace XX with color choice, eg.: DB for Dark Bronze

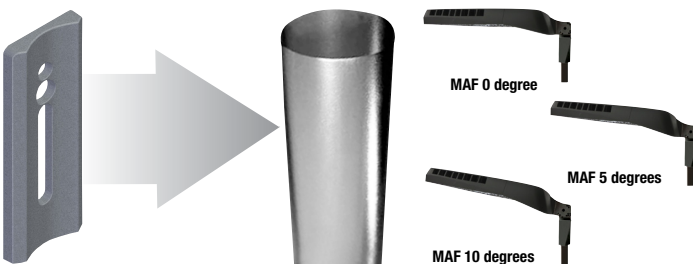
PIR MOTION/OCCUPANCY CONTROL OPTIONS

- SCO^{3,4}** On/Off control (line voltage device not for use with 7PR receptacle option and external wireless control devices)
- SCL^{3,4}** Add-on occupancy sensor for use with ext. wireless control device connected thru 7PR receptacle. Consult control manufacturer for compatibility
- SCP^{3,4,6}** Programmable dimming control (line voltage device not for use with 7PR receptacle option and external wireless control devices). A minimum of one SCP-REMOTE accessory remote control required for configuration; (Standard lens with greater sensitivity; motion detection radius equal to .75 X luminaire mounting height (approx. distance))
- SCPW^{3,4,6}** Programmable dimming control (line voltage device not for use with 7RP receptacle option and external wireless control devices); A minimum of one SCP-REMOTE accessory remote control required for configuration. (Wide lens with motion detection radius equal to 1.3 X luminaire mounting height (approx. distance))

WIRELESS CONTROL OPTIONS

- SWP^{8,9}** SiteSync pre-commissioned
- SWPM^{8,9}** SiteSync pre-commissioned w/ occupancy sensor
- WIR²** wiSCAPE Fixture Module, in-fixture relay for wireless lighting control
- WIRSC^{3,5}** wiSCAPE Fixture Module, in-fixture relay for wireless lighting control and motion/occupancy control

MOUNTING OPTIONS & ACCESSORIES



Catalog Number	Description
RPA	Round Pole adapters are available for 2, 3, 4.5, 5, and 6 inch diameter round poles
RPA2-ARA3-XX'	Round Pole adapters for 2-1/2" - 3" diameter mounting surface
RPA3-ARA3-XX'	Round Pole adapters for 3" - 3-3/4" diameter mounting surface
RPA4-ARA3-XX'	Round Pole adapters for 3-7/8" - 4-1/2" diameter mounting surface
RPA5-ARA3-XX'	Round Pole adapters for 5" - 6" diameter mounting surface
RPA6-ARA3-XX'	Round Pole adapters for 6" diameter mounting surface

1 Replace XX with color choice, eg.: DB for Dark Bronze



Hubbell Outdoor Lighting • 701 Millennium Boulevard • Greenville, SC 29607 • Phone: 864-678-1000
 Due to our continued efforts to improve our products, product specifications are subject to change without notice.



PERFORMANCE DATA

# LED'S	DRIVE CURRENT (MILLIAMPS)	SYSTEM WATTS	DISTRIBUTION TYPE	5K (5000K nominal, 70 CRI)					4K (4000K nominal, 70 CRI)					3K (3000K nominal, 70 CRI)				
				LUMENS	LPW ¹	B	U	G	LUMENS	LPW ¹	B	U	G	LUMENS	LPW ¹	B	U	G
32	700	293	1A	27158	93	3	0	3	26705	91	3	0	3	25257	86	2	0	2
			3	26922	92	4	0	5	26472	90	4	0	5	25037	85	3	0	4
			4	26869	92	3	0	5	26421	90	3	0	5	24988	85	2	0	4
			5S	27736	95	5	0	4	27273	93	5	0	4	25794	88	4	0	2
			5W	29876	102	5	0	5	29377	100	5	0	5	27837	95	5	0	5
48		435	1A	39645	91	3	0	3	38983	90	3	0	3	36871	85	3	0	3
			3	39300	90	4	0	5	38644	89	4	0	5	36549	84	3	0	5
			4	39223	90	3	0	5	38568	89	3	0	5	36477	84	3	0	5
			5S	40489	93	5	0	4	39813	92	5	0	4	37655	87	5	0	3
			5W	44814	103	5	0	5	44065	101	5	0	5	41756	96	5	0	5
64		580	1A	51651	89	3	0	3	50788	88	3	0	3	48035	83	3	0	3
			3	51202	88	4	0	5	50347	87	4	0	5	47550	82	4	0	5
			4	51102	88	3	0	5	50247	87	3	0	5	47828	82	3	0	5
			5S	52751	91	5	0	4	51870	89	5	0	4	49151	85	5	0	3
			5W	59752	103	5	0	5	58754	101	5	0	5	55674	96	5	0	5

¹Lumen values are from photometric tests performed in accordance with IESNA LM-79-08. Data is considered to be representative of the configurations shown. Actual performance may differ as a result of end-user environment and application.

PROJECTED LUMEN MAINTENANCE

AMBIENT TEMP.	0	25,000	50,000	TM-21-11 60,000	100,000	Calculated L70 (HOURS)
40°C / 104°F	0.97	0.92	0.85	0.82	0.73	>110,000

¹ Projected per IESNA TM-21-11
Data references the extrapolated performance projections for the **ARA3-64L5K-070** base model in a 40°C ambient, based on 10,000 hours of LED testing per IESNA LM-80-08.

ELECTRICAL DATA

# OF LEDS	NUMBER OF DRIVERS	DRIVE CURRENT (mA)	INPUT VOLTAGE (V)	SYSTEM POWER (w)	CURRENT (Amps)
32	2	(700 MA)	120	293	2.4
			277	293	1.1
			347	293	0.8
			480	293	0.6
			120	435	3.6
48	3		277	435	1.6
			347	435	1.3
			480	435	0.9
			120	580	4.8
			64	4	277
347	580				1.7
480	580				1.2

LUMINAIRE AMBIENT TEMPERATURE FACTOR (LATF)

AMBIENT TEMPERATURE	LUMEN MULTIPLIER	
0° C	32° F	1.07
10° C	50° F	1.04
20° C	68° F	1.01
25° C	77° F	1.00
30° C	86° F	0.99
40° C	104° F	0.96

Use these factors to determine relative lumen output for average ambient temperatures from 0-50°C (32-122°F).

SURGE PROTECTION

- Field replaceable surge protection device (SPD) provides 20KA and 10KV protection meeting ANSI/IEEE C62.41.2 Category C High and Surge Location Category C3

- The SPD is designed with a clamping voltage of 1400V at 20KA using industry standard 8/20µs waveform

- Max surge current = 20,000 Amps

SWP & SWPM - SiteSync™



SiteSync Lighting Control is available from our most popular brands in a broad range of award-winning product families.

CONTROLS - ACCESSORIES ORDER SEPARATELY

Catalog Number	Description	HCS System
NXOFM-1R1D-UNV	On-fixture Module (7-pin), On / Off / Dim, Daylight Sensor with HubbNET Radio and Bluetooth® Radio, 120-480VAC	NX Distributed Intelligence™
WIR-RME-L	On-fixture Module (7-pin or 5-pin), On / Off / Dim, Daylight Sensor with wiSCAPE Radio, 110-480VAC	wiSCAPE® Lighting Control

For additional information related to these accessories please visit www.hubbellcontrolsolutions.com. Options provided for use with integrated sensor, please view specification sheet ordering information table for details.

SiteSync 7-Pin Module



- All of the SiteSync Features in a new form
- Available as an accessory for new construction or retrofit applications (with existing 7-Pin receptacle)
- Available on all products that have a 7-Pin receptacle



SW7PR



HUBBELL Outdoor Lighting

Hubbell Outdoor Lighting • 701 Millennium Boulevard • Greenville, SC 29607 • Phone: 864-678-1000

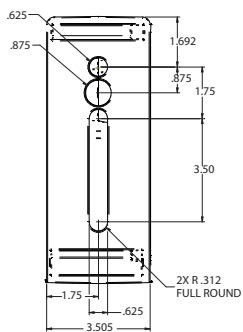
Due to our continued efforts to improve our products, product specifications are subject to change without notice.



HUBBELL Lighting

MOUNTING ARM DIMENSIONS

ARA3 arms incorporate hole pattern provisions for most major luminaire manufacturers providing retrofit solutions to existing poles. Two bolt patterns range from 1.75" to 5.25" are accommodated. Arms are acceptable for 90° configurations.



Utilize Spaulding's #2 hole pattern when ordering poles

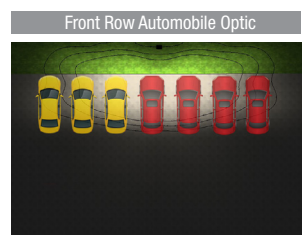
AUTOMOTIVE DEALERSHIP OPTICS

For Automobile Dealership applications the Arceos™ is available with optics designed for enhanced and proper lighting of the auto dealership merchandise on the front row.

The ARA3 high lumen package combined with Spaulding's front row automobile optic maximizes the dealers product merchandising impact. Create dramatic impact on a dealerships lighting and sales revenue with the Arceos™ ARA3 luminaire.

Front Row Automobile Optic Benefits

- Maximum illumination on front row display
- Maximum pole spacing
- Reduced acquisition and ownership costs



VERSATILE CONFIGURATIONS



- Up to 30 ft mounting heights
- 32 LEDs



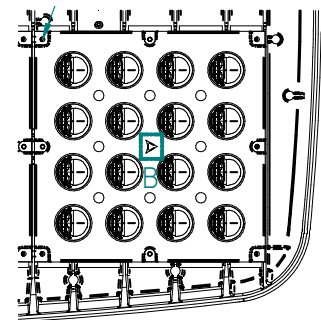
- 30-40 ft mounting heights
- 48 LEDs



- Up to 50 ft mounting heights
- 64 LEDs

ROTATABLE OPTICS

All distributions are field or factory aimed for maximum design flexibility. The bezel includes a raised arrow to indicate the direction of illumination.



MODULAR DESIGN

With its simple three-piece modular design, the Arceos™ ARA3 is designed for single-person installations. This unique design features slide and lock functionality for convenient and safe installation. Tamper resistant screws secure luminaire sections.



ARA3 BC - Backlight control option for excellent light cutoff and increased forward throw

For installation video scan this code or visit: www.spauldinglighting.com

