

ARM-F-K-S - 10" Adjustable Arm

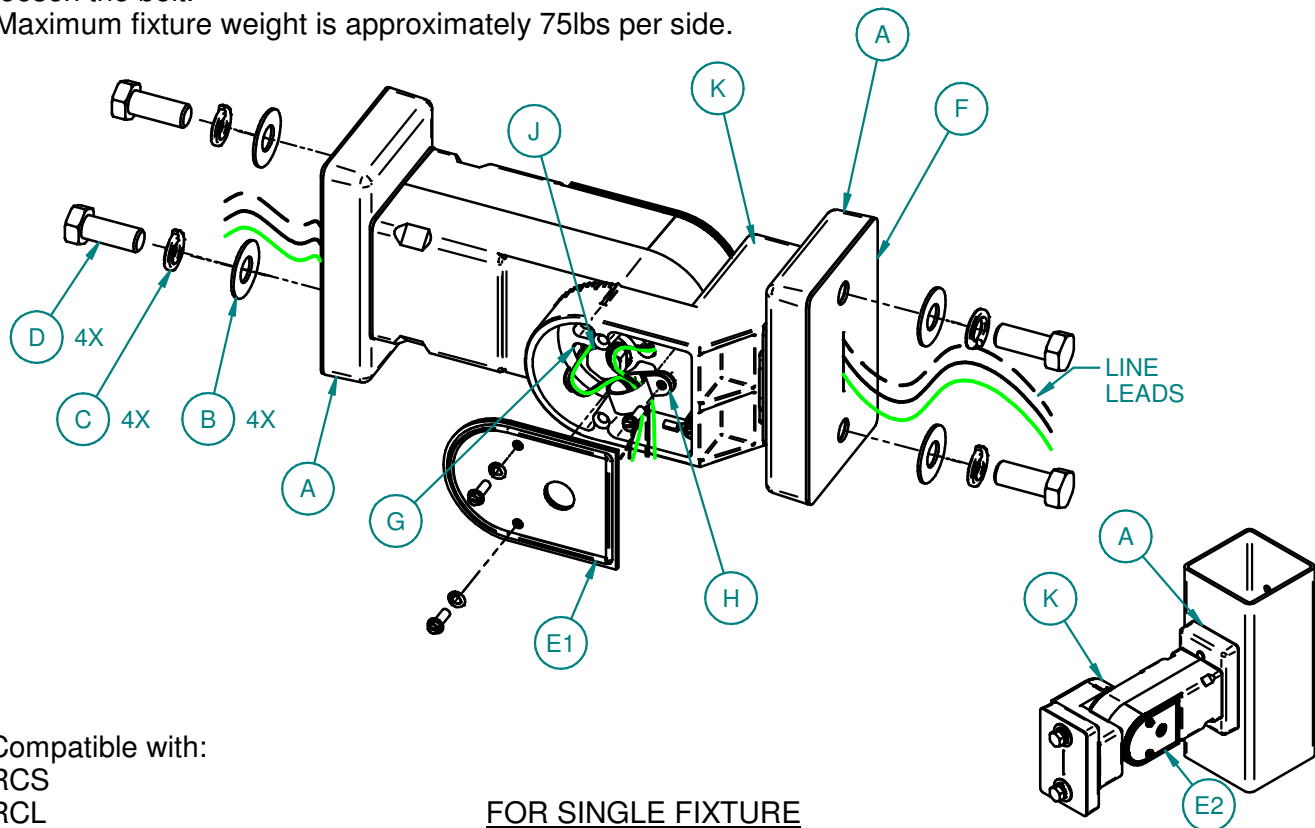
RAVEN ACCESSORY



WARNING: To avoid damaging supply wiring, drill all necessary holes in poles, arms, or mounting brackets BEFORE pulling supply wires.

CAUTION: The luminaire rotates about the pivot bolt (J). Should further vertical aiming adjustment be needed, be sure to support the fixture housing before attempting to loosen the bolt.

Maximum fixture weight is approximately 75lbs per side.



Compatible with:
RCS
RCL

FOR SINGLE FIXTURE

Mounting Notes:

1. Secure bracket (A) to pole with flat washers (B), split washers (C), and 1/2" bolts (D). Torque bolts to 30ft-lb.
2. Remove wireway cover (E1) with gasket.
3. Pull line leads out of pole through filter wire passage (G).
4. Loop and tie line leads through clamp (H) into knot. Allow at least 10" of free wire to exit arm (F).
5. Secure bracket (A) against gasket (F) to luminaire with flat washers (B), split washers (C), and 1/2" bolts (D). Torque bolts to 30 ft-lb.
6. Make vertical adjustments as desired by loosening bolt (J), and rotating knuckle (K). Tighten bolt to 30ft-lb torque.
7. Replace wireway cover (E1) with gasket.
8. See luminaire instructions to complete installation.

Shipping Package Contents:

ARM-F-K-S assembly (1)

Material: Aluminum
Finish: Powder Paint
Weight: 10 lbs