

ASL LED SERIES

AREA/SITE/ROAD LIGHTER

Cat.#

Job

Type



HUBBELL
Outdoor Lighting

Approvals

SPECIFICATIONS

Construction:

- Stylish vertically finned die-cast and extruded aluminum for maximum heat dissipation
- Separate optical and electrical compartment for improved thermal management and optimum component operation
- EPA: 8L – .50ft²
16L – .62 ft²
24L – .74 ft²

Optics:

- Premium engineered individual acrylic lenses deliver IES Type II, III, IV and V distributions
- Lens distributions are field rotatable (in 90° increments) or exchangeable for job site fine-tuning
- 3000K, 4000K, or 5000K (70 CRI) CCT
- Zero uplight

Electrical:

- Configured with 8, 16, or 24 high current and high output LEDs to replace 150, 250 and 400w HID respectively
- Universal 120-277 VAC input voltage, 50/60 Hz
- Single driver, 2100mA drive current
- Ambient operating temperature -40° C to 40° C
- Drivers have greater than 90% power factor and less than 20% THD
- LED drivers have output power over-voltage, over-current protection and short circuit protection with auto recovery
- Field replaceable surge protection device provides 10KA and 10KV protection meeting ANSI/IEEE C62.41.2 Category C High and Surge Location Category C3; Automatically takes fixture off-line for protection when device is consumed

Controls:

- 0-10V dimming standard photocell, occupancy sensor and wireless available for complete on/off and dimming control
- 7-pin ANSI C136.41-2013 photocell receptacle option available for twist lock photocells or wireless control modules (control accessories sold separately)
- Dimming leads can be pulled for use with remote control devices, order as special

Installation:

- Tool-less entry to wiring/driver compartment
- Universal mounting block works with #2 drill pattern (See page 4 illustration)
- Fixture ships with slotted mounting block to accommodate wide range of drill patterns for easy retrofit opportunities (See page 4 illustration for dimensions)
- Mast arm fitter accessory or option available for 2-3/8" OD brackets

Finish:

- TGIC thermoset polyester powder paint finish applied at nominal 2.5 mil thickness

Warranty:

Five year limited warranty (for more information visit: <http://www.hubbelloutdoor.com/resources/warranty/>)

Listings:

- DesignLights Consortium (DLC) qualified, consult DLC website for more details: <http://www.designlights.org/QPL>
- Listed to UL1598 and CSA C22.2#250.0-24 for wet locations and 40°C ambient temperatures
- 3G rated for ANSI C136.31 high vibration applications
- IP65 optical assembly
- IDA approved

PRODUCT IMAGE(S)

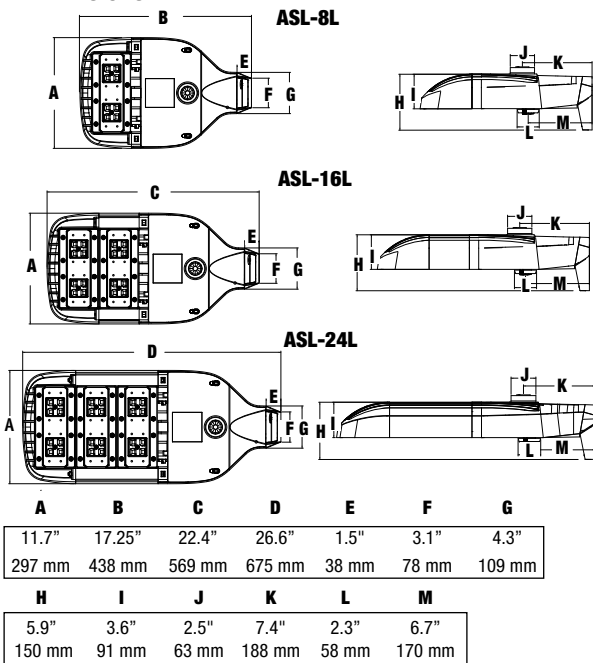
ASL-24L



ASL-16L

ASL-8L

DIMENSIONS



CERTIFICATIONS/LISTINGS



ORDERING INFORMATION - STOCK CONFIGURATIONS

Catalog Number	Description	Mtg.	Distribution	Wattage	# Drivers Drive Current	Voltage	CCT	Lumens	LPW	Weight lbs. (kg)
ASL-16L-3	Medium size 16 LED configuration, Dark Bronze	Arm	Type III	123	1@2100mA	120V-277V	4000K	11153	91	18 (8.16)
ASL-16L-4	Medium size 16 LED configuration, Dark Bronze	Arm	Type IV	123	1@2100mA	120V-277V	4000K	11417	93	18 (8.16)
ASL-24L-3	Large size 24 LED configuration, Dark Bronze	Arm	Type III	181	1@2100mA	120V-277V	4000K	16364	91	20 (9.07)
ASL-24L-4	Large size 24 LED configuration, Dark Bronze	Arm	Type IV	181	1@2100mA	120V-277V	4000K	16752	93	20 (9.07)

CONFIGURABLE ORDERING INFORMATION NEXT PAGE



HUBBELL
Outdoor Lighting

Hubbell Outdoor Lighting • 701 Millennium Boulevard • Greenville, SC 29607 • Phone: 864-678-1000

Due to our continued efforts to improve our products, product specifications are subject to change without notice.

© 2016 HUBBELL OUTDOOR LIGHTING. All Rights Reserved • For more information visit our website: www.hubbelloutdoor.com • Printed in USA

ASLLED-SPEC 3/16

ORDERING INFORMATION

ORDERING EXAMPLE: ASL-A-24L4K-210-4-U-DB

ASL	-		-		-	210	-		-		-	
FAMILY	MOUNTING	# LEDS	CCT	DRIVE CURRENT	DISTRIBUTION	VOLTAGE	COLOR	OPTIONS				
ASL ASL Series	A Arm MAF Mast Arm Fitter	8L 8 High brightness LEDs 16L 16 High brightness LEDs 24L 24 High brightness LEDs	3K 3000K, 70 CRI 4K 4000K, 70 CRI 5K 5000K, 70 CRI	210 2100mA	2 IES TYPE II 3 IES TYPE III 4 IES TYPE IV 5 IES TYPE V	U Universal 1 120 2 208 3 240 4 277	BL Black DB Dark Bronze GR Gray PS Platinum Silver WH White CC ¹ Custom Color	F Fusing (voltage specified and determined by voltage field) 7PR ² 7-pin ANSI twist-lock photocell receptacle RPA(X) Round pole adapter (Replace X with 3, 4, 5 or 6 indicating pole diameter) SCPW Programmable motion sensor with dimming control (line voltage device not for use with 7PR receptacle option and external wireless control devices); A minimum of one SCP-REMOTE accessory remote control required for configuration; Wide lens with motion detection radius equal to 1.3 X luminaire mounting height (approx. distance) TB Terminal block				

1 - Contact factory for minimum order quantities
2 - 7-pin ANSI C136.41—2013 receptacle for use with standard Twist-Lock® photo controls, shorting caps, and ANSI C136.41 external wireless control devices with and without motion/occupancy override

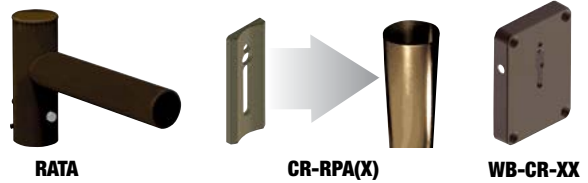
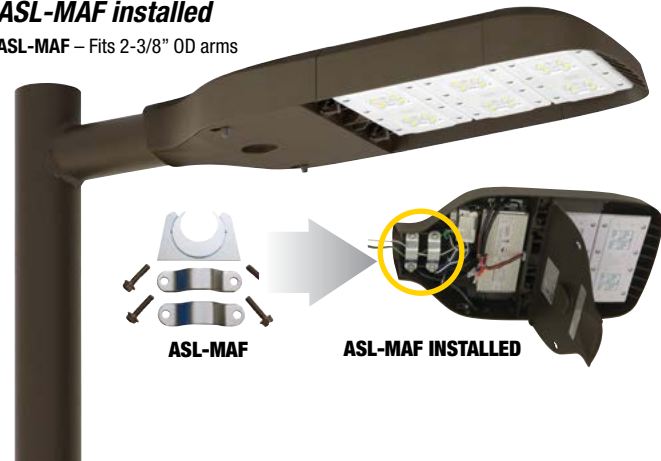
ACCESSORIES - Order Separately

Catalog Number	Description
ASL-MAF	Mast arm kit with wildlife shield for mounting on 2 3/8" OD arms
RATA-XX ¹	Single round arm tenon fits 2 3/8" OD, requires ASL-MAF accessory kit for stocked configurations
SCP-REMOTE	Remote control for SCPW option. Order at least one per project to program and control
CR-RPA(X)-XX ¹	Round pole adapters are available for 3, 4, 5, and 6 inch diameter round poles. Requires universal mounting block option.
WB-CR-XX ¹	Wall bracket. Requires universal mounting block option.
PTL-1	Photocontrol - twist-lock cell (120V) - Requires 7PR option
PTL-8	Photocontrol - twist-lock cell (120-277V) - Requires 7PR option
PSC	Shorting cap - twist-lock - Requires 7PR option
ASL8L2LENS	Type II, 2 lenses included
ASL8L3LENS	Type III, 2 lenses included
ASL8L4LENS	Type IV, 2 lenses included
ASL8L5LENS	Type V, 2 lenses included

1 - Replace XX with color choice, eg.: DB for Dark Bronze

ASL-MAF installed

ASL-MAF - Fits 2-3/8" OD arms



Product	Number of Kits	Number of Lenses
ASL8L	1	2
ASL16L	2	4
ASL24L	3	6

Wall Mount Accessory

WB-CR-XX wall mount bracket designed for building mount applications



PERFORMANCE DATA

# OF LEDS	DRIVE CURRENT	SYSTEM WATTS	DIST. TYPE	5K (5000K nominal, 70 CRI)					4K (4000K nominal, 70 CRI)					3K (3000K nominal, 80 CRI)				
				LUMENS	LPW ¹	B	U	G	LUMENS	LPW ¹	B	U	G	LUMENS	LPW ¹	B	U	G
8	2100	62	2	6304	102	1	0	1	5775	93	1	0	1	5068	82	1	0	1
			3	6139	99	1	0	1	5624	91	1	0	1	4935	80	1	0	1
			4	6285	101	1	0	1	5757	93	1	0	1	5149	83	1	0	1
			5	6194	100	3	0	1	5674	92	3	0	1	4979	80	3	0	1
16		123	2	12502	102	2	0	2	11453	93	2	0	2	10441	85	2	0	2
			3	12175	99	2	0	2	11153	91	2	0	2	10168	83	2	0	2
			4	12463	101	2	0	2	11417	93	2	0	2	10409	85	2	0	2
			5	12283	100	4	0	2	11253	91	4	0	2	10259	83	4	0	2
24		181	2	18343	101	3	0	3	16804	93	3	0	3	15437	85	3	0	3
			3	17863	99	3	0	3	16364	90	3	0	3	15033	83	3	0	3
			4	18287	101	2	0	2	16752	93	2	0	2	15389	85	2	0	2
			5	18022	100	4	0	2	16510	91	4	0	2	15167	84	4	0	2

1 - Lumen values are from photometric tests performed in accordance with IESNA LM-79-08. Data is considered to be representative of the configurations shown. Actual performance may differ as a result of end-user environment and application.

ELECTRICAL DATA

# OF LEDS	DRIVE CURRENT (mA)	INPUT VOLTAGE (V)	SYSTEM POWER (w)	CURRENT (Amps)
8	1@(2100mA)	120	62	0.52
		208	62	0.30
		240	62	0.26
		277	62	0.22
16		120	123	1.03
		208	123	0.60
		240	123	0.52
		277	123	0.45
24		120	181	1.49
		208	181	0.86
		240	181	0.74
		277	181	0.64

LUMINAIRE AMBIENT TEMPERATURE FACTOR (LATF)

AMBIENT TEMPERATURE	LUMEN MULTIPLIER	
0° C	32° F	1.06
10° C	50° F	1.03
20° C	68° F	1.01
25° C	77° F	1.00
30° C	86° F	0.99
40° C	104° F	0.97
50° C	122° F	0.94


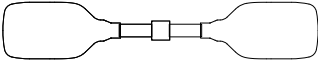
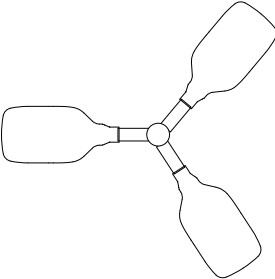
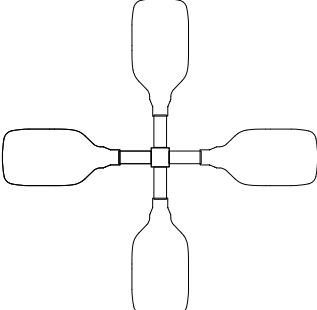
Use these factors to determine relative lumen output for average ambient temperatures from 0-40°C (32-104°F).

PROJECTED LUMEN MAINTENANCE

Ambient Temp.	OPERATING HOURS					L70 (hours)
	0	25,000	TM-21-11 ¹ L90 36,000	50,000	100,000	
25°C / 77°F	1.00	0.93	0.90	0.86	0.75	>125,000
40°C / 104°F	0.99	0.90	0.86	0.81	0.67	>88,000

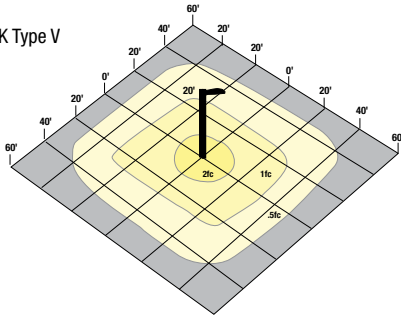
1. Projected per IESNA TM-21-11 (* Cree XP-L, 2100mA, 105°C Ts, 6,000hrs)

EPA

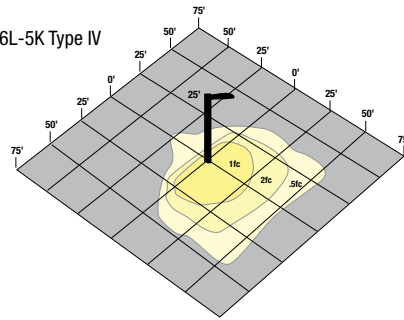
	<table border="1"> <thead> <tr> <th>Config.</th> <th>Luminaire</th> <th>EPA</th> </tr> </thead> <tbody> <tr> <td rowspan="3">1 @ 90°</td> <td>ASL8L</td> <td>.50</td> </tr> <tr> <td>ASL8L</td> <td>.62</td> </tr> <tr> <td>ASL24L</td> <td>.74</td> </tr> </tbody> </table>	Config.	Luminaire	EPA	1 @ 90°	ASL8L	.50	ASL8L	.62	ASL24L	.74		<table border="1"> <thead> <tr> <th>Config.</th> <th>Luminaire</th> <th>EPA</th> </tr> </thead> <tbody> <tr> <td rowspan="3">2 @ 180°</td> <td>ASL8L</td> <td>1.00</td> </tr> <tr> <td>ASL8L</td> <td>1.24</td> </tr> <tr> <td>ASL24L</td> <td>1.48</td> </tr> </tbody> </table>	Config.	Luminaire	EPA	2 @ 180°	ASL8L	1.00	ASL8L	1.24	ASL24L	1.48
Config.	Luminaire	EPA																					
1 @ 90°	ASL8L	.50																					
	ASL8L	.62																					
	ASL24L	.74																					
Config.	Luminaire	EPA																					
2 @ 180°	ASL8L	1.00																					
	ASL8L	1.24																					
	ASL24L	1.48																					
	<table border="1"> <thead> <tr> <th>Config.</th> <th>Luminaire</th> <th>EPA</th> </tr> </thead> <tbody> <tr> <td rowspan="3">3 @ 120°</td> <td>ASL8L</td> <td>.88</td> </tr> <tr> <td>ASL8L</td> <td>.99</td> </tr> <tr> <td>ASL24L</td> <td>1.11</td> </tr> </tbody> </table>	Config.	Luminaire	EPA	3 @ 120°	ASL8L	.88	ASL8L	.99	ASL24L	1.11		<table border="1"> <thead> <tr> <th>Config.</th> <th>Luminaire</th> <th>EPA</th> </tr> </thead> <tbody> <tr> <td rowspan="3">4 @ 90°</td> <td>ASL8L</td> <td>1.42</td> </tr> <tr> <td>ASL8L</td> <td>1.66</td> </tr> <tr> <td>ASL24L</td> <td>1.90</td> </tr> </tbody> </table>	Config.	Luminaire	EPA	4 @ 90°	ASL8L	1.42	ASL8L	1.66	ASL24L	1.90
Config.	Luminaire	EPA																					
3 @ 120°	ASL8L	.88																					
	ASL8L	.99																					
	ASL24L	1.11																					
Config.	Luminaire	EPA																					
4 @ 90°	ASL8L	1.42																					
	ASL8L	1.66																					
	ASL24L	1.90																					

PHOTOMETRICS For additional photometric information and IES downloads, visit our web site at www.hubbelloutdoor.com

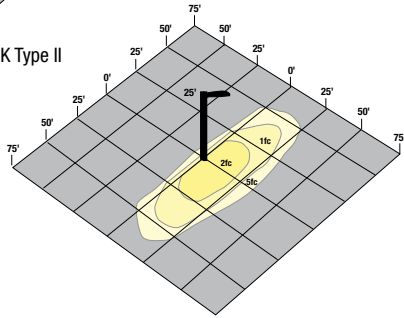
ASL-8L-5K Type V



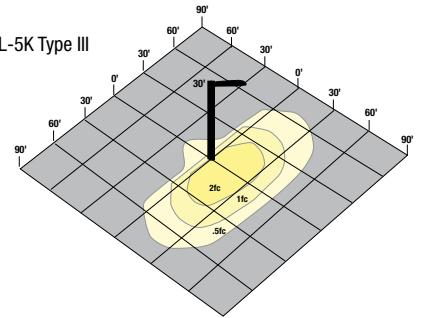
ASL-16L-5K Type IV



ASL-16L-5K Type II



ASL-24L-5K Type III



ARM/MOUNTING BLOCK

Fixture ships with universal mounting block for ease of installation. Compatible with #2 drill pattern.

