



2.4/5/6 GHZ 8 DBI 4 ELEMENT INDOOR/ OUTDOOR PATCH ANTENNA WITH RPSMA

ATS-03998

ATS-OP-2456-8-4RPSP-36



ELECTRICAL SPECIFICATIONS

Frequency Range: 2.4-2.48/5.15-5.85/6-7.125 GHz
 Gain: 7/8/8 dBi
 Polarization: 2 Vertical / 2 Horizontal
 Horizontal Beamwidth: 120°/115°/110°
 Vertical Beamwidth: 45°/25°/25°
 VSWR: <1.5:1 Max: 2.0
 Isolation: >30dB
 Impedance: 50 Ω



MECHANICAL SPECIFICATIONS

Dimensions: 15.35" x 15.35" x 1.37" (390x390x35mm)
 Weight: 2.5 lb (0.68 kg)
 Installation: Flush Mount to Wall or Articulating
 Wall/Pole Mount (included)

Radome Material: ABS
 Connector: RPSMA Plug
 Number of Leads: 4
 Cable Length: 36" (910mm)
 Cable Type: ATS-195



ENVIRONMENTAL SPECIFICATIONS

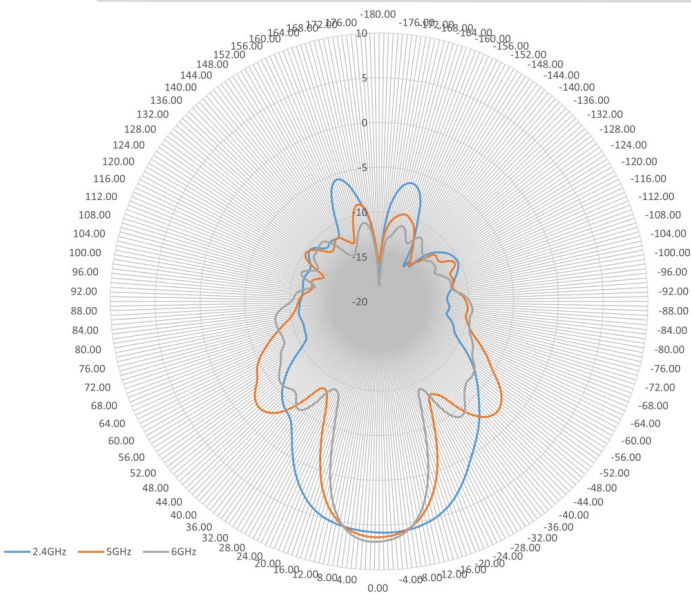
Installation Environment: Indoor/Outdoor
 IP Rating: IP67

WARRANTY

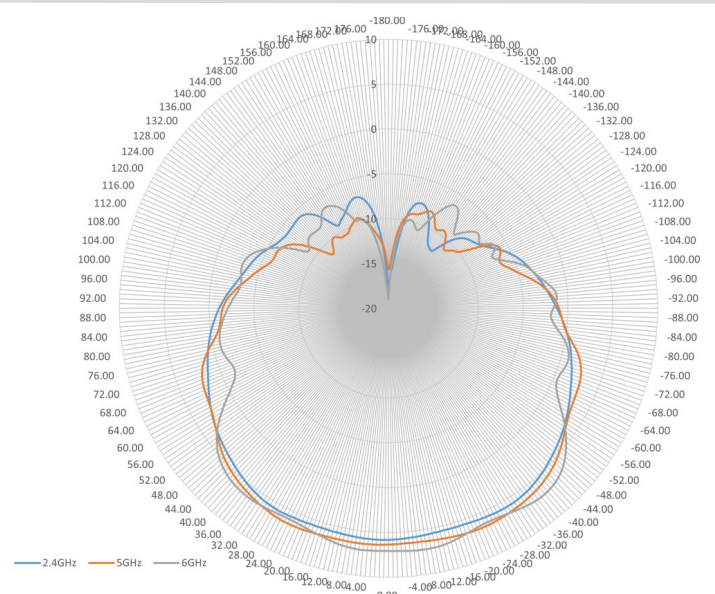
2 Year Limited Warranty



VERTICAL



HORIZONTAL



The facts and figures herein are carefully compiled to the best of our knowledge and are intended for general informational purposes only. Responsibility for the use and application of AccelTex Solutions materials rests with the end user. ©2024 AccelTex Solutions. All Rights Reserved.

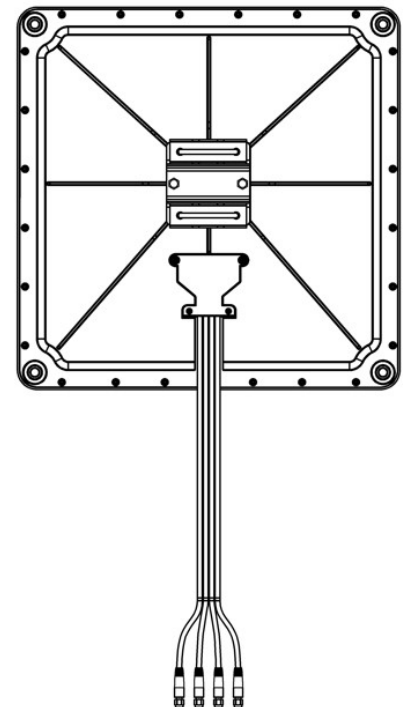
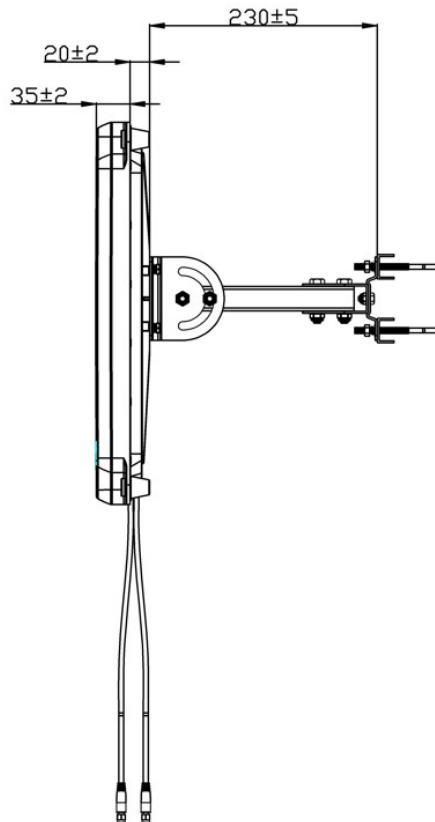
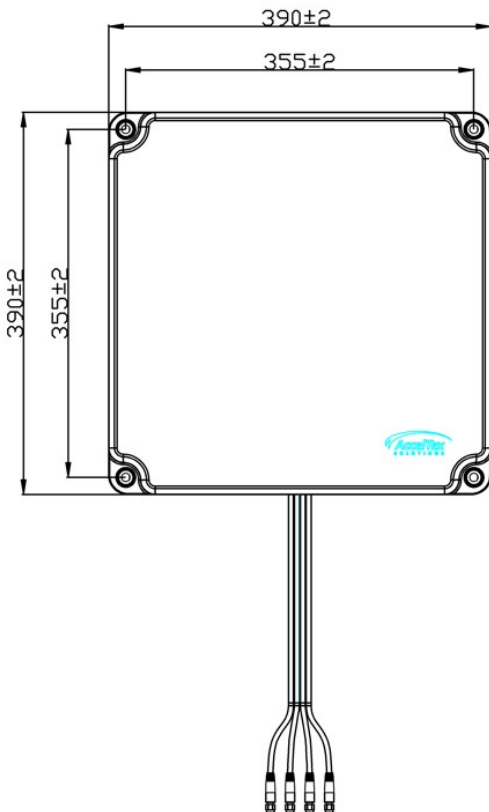
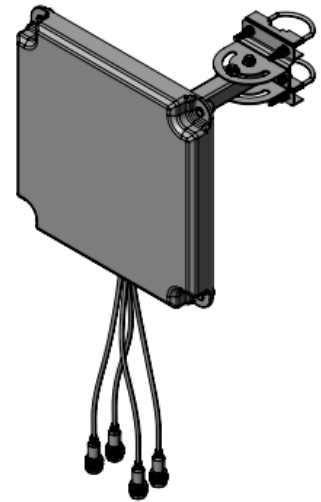
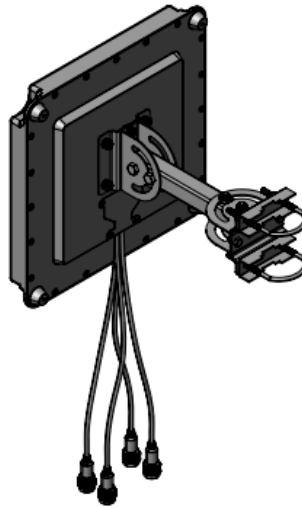
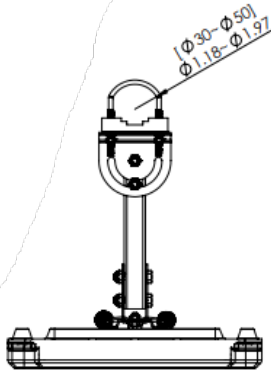
1.888.406.8906
SALES@ACCELTEX.COM



2.4/5/6 GHZ 8 DBI 4 ELEMENT INDOOR/ OUTDOOR PATCH ANTENNA WITH RPSMA

ATS-03998

ATS-OP-2456-8-4RPSP-36



The facts and figures herein are carefully compiled to the best of our knowledge and are intended for general informational purposes only. Responsibility for the use and application of AccelTex Solutions materials rests with the end user. ©2024 AccelTex Solutions. All Rights Reserved.

1.888.406.8906
SALES@ACCELTEX.COM