



2.4/5/6 GHZ 2/3/3 DBI 1 ELEMENT INDOOR OMNI ANTENNA WITH RPSMA PLUG

ATS-04011 (ATS-ID90RD-2456-233-1RPSP-IC-W)



ELECTRICAL SPECIFICATIONS

Frequency Range: 2.4-2.5/5.1-5.85/5.925-7.125 GHz
 Gain: 2/3/3dBi
 Polarization: Vertical
 Horizontal Beamwidth: 360°
 Vertical Beamwidth: 100°
 VSWR: <1.5:1 Max: 2.0
 Isolation: >20dB
 Impedance: 50 Ω



MECHANICAL SPECIFICATIONS

Dimensions: 4.2" x Ø .4" (108 x 10mm)
 Radome Material: ASA
 Number of Elements: 1

Color: White
 Connector: RPSMA Plug



ENVIRONMENTAL SPECIFICATIONS

Installation Environment: Indoor or Outdoor
 IP Rating: IP66

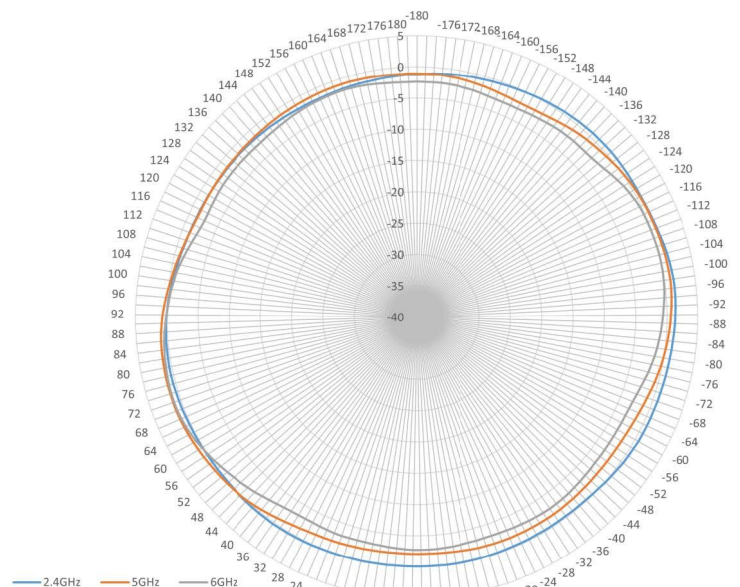
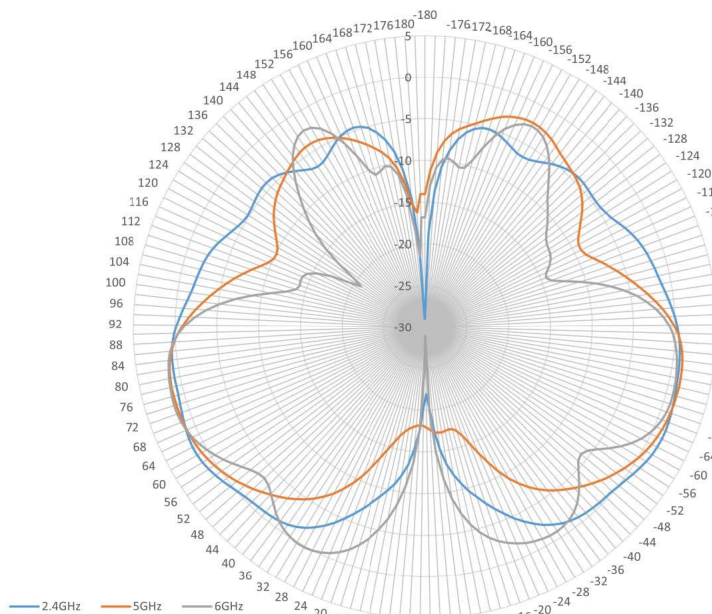
WARRANTY

2 Year Limited Warranty



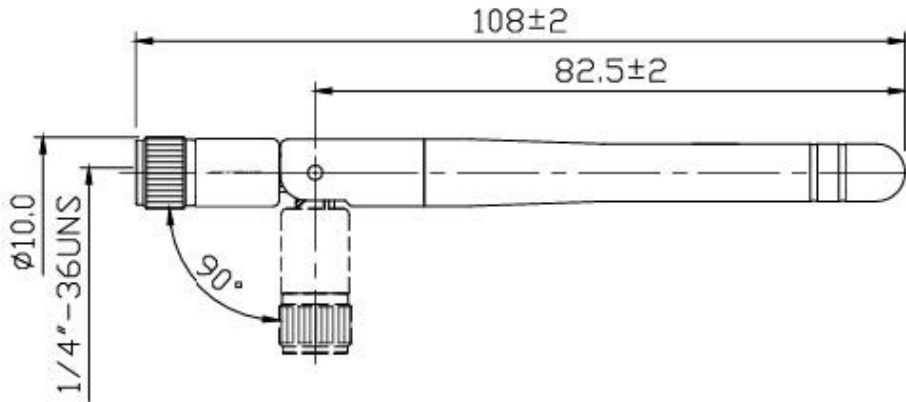
VERTICAL

HORIZONTAL





2.4/5/6 GHZ 2/3/3 DBI 1 ELEMENT INDOOR OMNI
ANTENNA WITH RPSMA PLUG
ATS-04011 (ATS-ID90RD-2456-233-1RPSP-IC-W)



L:2/3/3dBi Omni



R:www.acceltex.com