



2.4/5/6 GHZ 3/4/4 DBI 4 ELEMENT INDOOR/OUTDOOR  
 OMNI ANTENNA WITH RPSMA PLUG  
 ATS-OO-2456-344-4RPSP-36  
 ATS-03776



**ELECTRICAL SPECIFICATIONS**

Frequency Range: 2.4-2.5/5.1-5.85/5.925-7.125 GHz  
 Gain: 3/4/4 dBi  
 Polarization: Vertical  
 Horizontal Beamwidth: 360°  
 Vertical Beamwidth: 70°  
 VSWR: <1.5:1 Max: 2.0

Isolation: >20dB  
 Impedance: 50Ω



**MECHANICAL SPECIFICATIONS**

Dimensions: 5.9" x 5.9" x 1.5" (150 x 150 x 38mm)  
 Weight: ~1.25 lbs. (0.68 kg.)  
 Number of Leads: 4  
 Cable Length: 36" (914.4mm)  
 Cable Type: ATS-200

Radome Material: ASA  
 Connector: RPSMA Plug



**ENVIRONMENTAL SPECIFICATIONS**

Installation Environment: Indoor/Outdoor  
 IP Rating: IP66

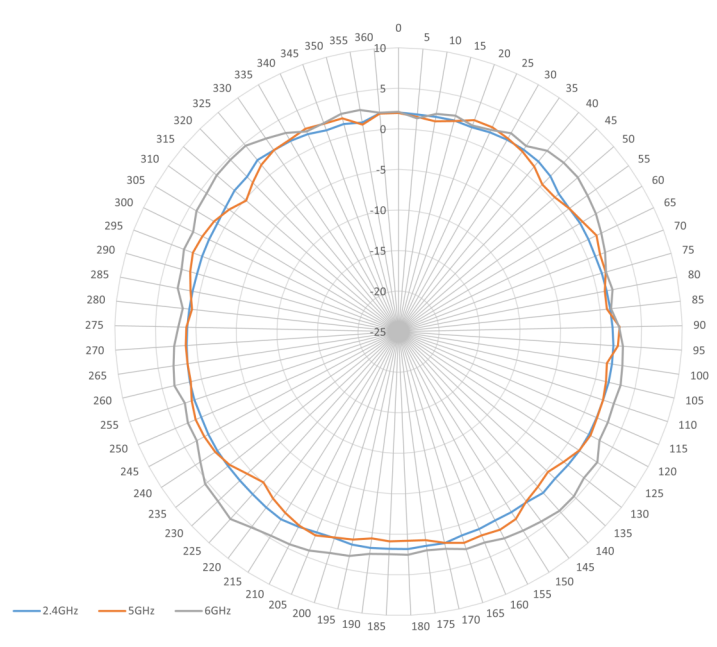
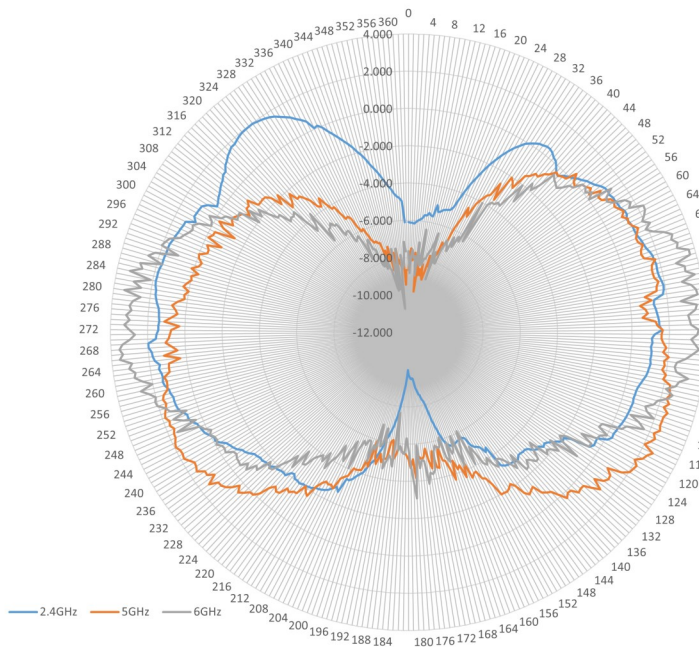
**WARRANTY**

2 Year Limited Warranty



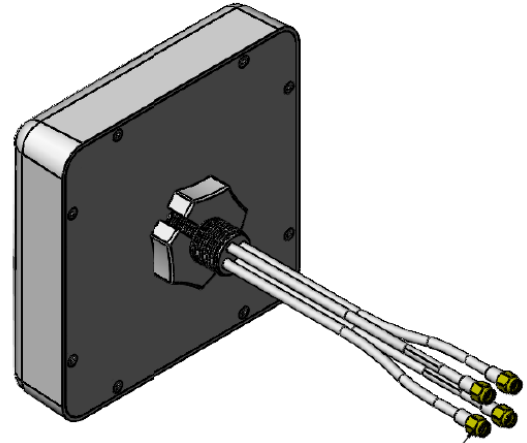
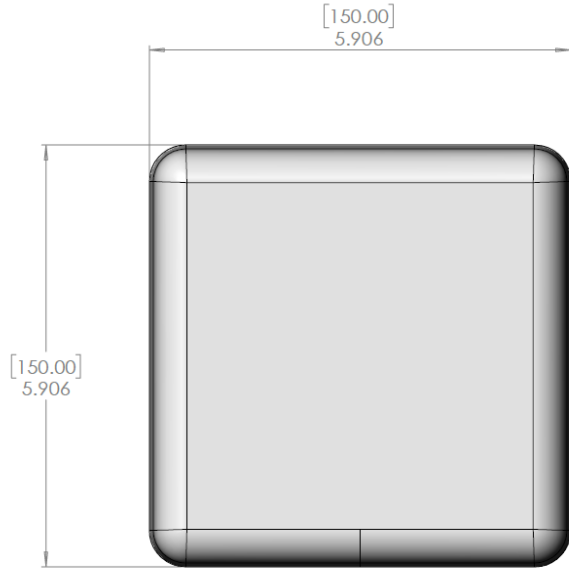
**VERTICAL**

**HORIZONTAL**





2.4/5/6 GHZ 3/4/4 DBI 4 ELEMENT INDOOR/OUTDOOR  
OMNI ANTENNA WITH RPSMA PLUG  
ATS-OO-2456-344-4RPSP-36  
ATS-03776



RPSMA-STYLE PLUGS X4

