



2.4/5/6 GHZ 3/4/4 DBI 4 ELEMENT INDOOR/OUTDOOR  
 OMNI ANTENNA WITH RPTNC PLUG  
 ATS-OO-2456-344-4RPTP-36  
 ATS-03788



**ELECTRICAL SPECIFICATIONS**

Frequency Range: 2.4-2.5/5.1-5.85/5.925-7.125 GHz  
 Gain: 3/4/4 dBi  
 Polarization: Vertical  
 Horizontal Beamwidth: 360°  
 Vertical Beamwidth: 70°  
 VSWR: <1.5:1 Max: 2.0

Isolation: >20dB  
 Impedance: 50Ω



**MECHANICAL SPECIFICATIONS**

Dimensions: 5.9" x 5.9" x 1.5" (150 x 150 x 38mm)  
 Weight: ~1.25 lbs. (0.68 kg.)  
 Number of Leads: 4  
 Cable Length: 36" (914.4mm)  
 Cable Type: ATS-200

Radome Material: ASA  
 Connector: RPTNC Plug



**ENVIRONMENTAL SPECIFICATIONS**

Installation Environment: Indoor/Outdoor  
 IP Rating: IP66

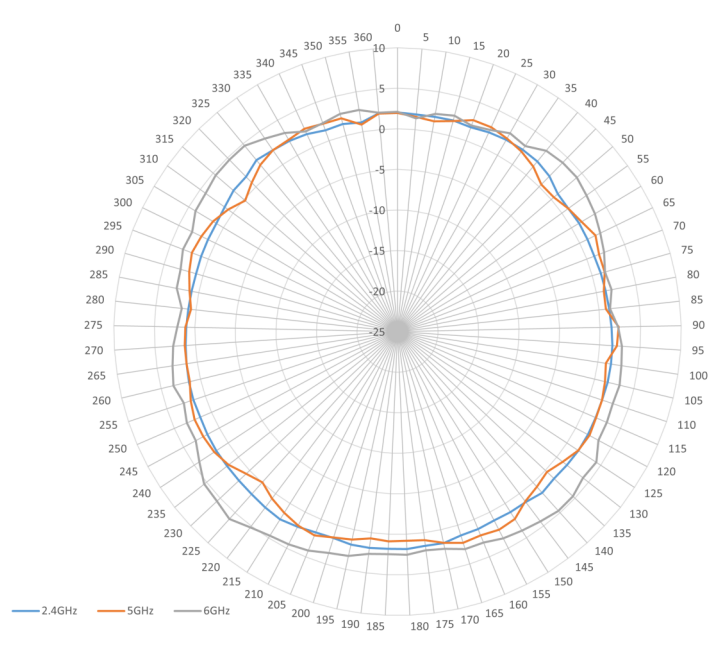
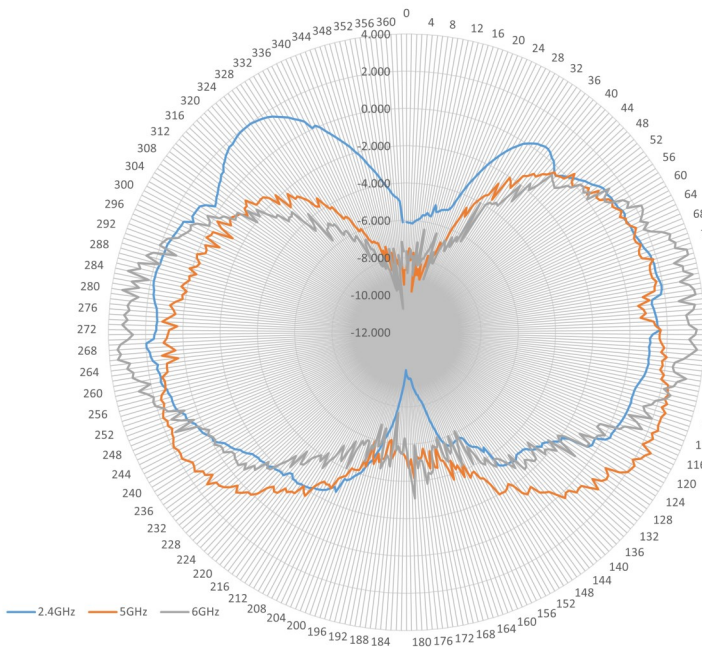
**WARRANTY**

2 Year Limited Warranty



**VERTICAL**

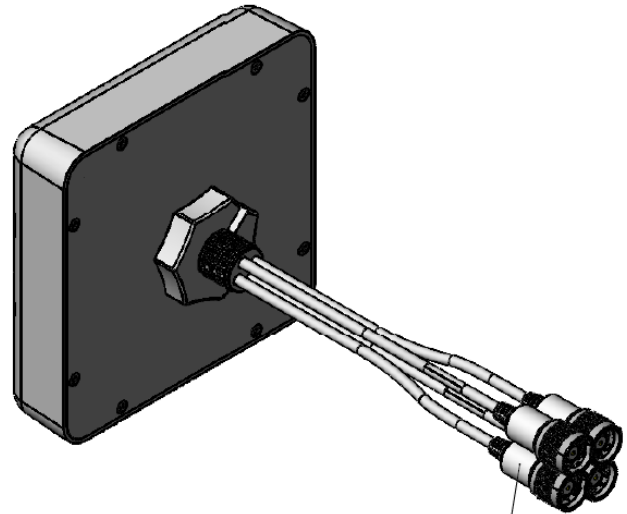
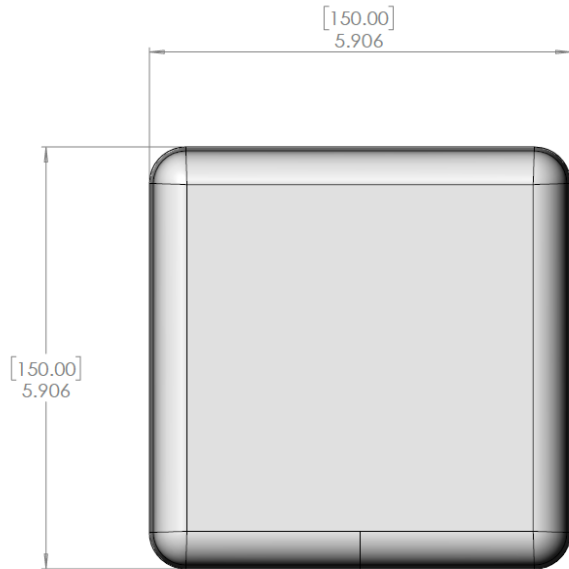
**HORIZONTAL**



The facts and figures herein are carefully compiled to the best of our knowledge and are intended for general informational purposes only. Responsibility for the use and application of AccelTex Solutions materials rests with the end user. ©2024 AccelTex Solutions. All Rights Reserved.



2.4/5/6 GHZ 3/4/4 DBI 4 ELEMENT INDOOR/OUTDOOR  
OMNI ANTENNA WITH RPTNC PLUG  
ATS-OO-2456-344-4RPTP-36  
ATS-03788



RPTP-STYLE PLUGS X4

