

ACCLAIM

Ex eb LED Recessed Linear

The **Acclaim** is a recessed luminaire designed for use in solid or plank ceiling types, and is regularly used in offshore accommodation modules for both task and emergency/escape lighting.

With an equivalent performance to the fluorescent models, the Acclaim now provides all the long life benefits associated with LED in a familiar housing.



Mounting Options

Recessed. Suspended (drop rods).

Standard Specification

Acclaim Ex eb LED Recessed Linear

Type of Protection	Ex eb mb qb (Increased Safety, Encapsulation, Powder filling) Ex tb (Dust Protected Enclosure)
ATEX Classification	Group II Category 2 GD
Area Classification	Zone 1 and 21 areas to EN 60079-10-1 and EN 60079-10-2 with installation to EN 60079-14
Certificate	EU Type Examination Certificate CML16ATEX3095X IECEX Certificate of Conformity IECEX CML16.0043X UK Type Examination Certificate CML 21UKEX1503X
Coding	Ex eb mb q IICT4 Gb Ex tb IIIC T95°C Db IP65
Enclosure	White polyester painted zintec body and frame. Frame colour RAL 9010. Prismatic Diffuser.
Geartray	Aluminium
Entry	4 x 21mm clearance holes - 2 at each end
Termination	3 core 4mm ² max conductor with looping and 16A rating through wiring [4 core on emergency]
Installation	Fixed side brackets with swing out arms, and provision for drop rod mounting.
Control Gear	Electronic Driver
Colour Temperature (CCT)	4000K (Neutral White)
Colour Rendering Index (Ra)	>80
Maintenance	Via front cover, secured by pan head screws
System Life	120,000hrs @ 25°C [excluding battery]
Battery	Internal Ni-Cd (6V) [Emergency version only]
Emergency Duration	90 mins (30% output)
Ingress Protection	IP65 to EN 60529
Surge Protection	4kV
Electrical Supply	220-254V AC, 50/60Hz

Features

- ◆ Highly **Energy Efficient**
- ◆ **Quick release** mains terminals
- ◆ **Resistant to** voltage fluctuations
- ◆ **Fully maintainable** with replaceable LED strips and driver
- ◆ **B15 SOLAS fire rating** - appropriate insulation is required over luminaire
- ◆ **120,000** maintenance free hours at 25°C (L70)

Std. Cat No.	Delivered Output	Power Consumption	Tclass	T°C (Dust)	Ambient °C *	Weight
ACLE/02L/LE	2054 lm	32W	T4	95	-20 to +45	9.5kg
ACLE/04L/LE	3987 lm	61W	T4	95	-20 to +45	16.5kg
ACLE/02L/LE/EM	2054 lm	34W	T4	95	'-20 to +45	12.5kg
ACLE/04L/LE/EM	3987 lm	64W	T4	95	'-20 to +45	19.5kg

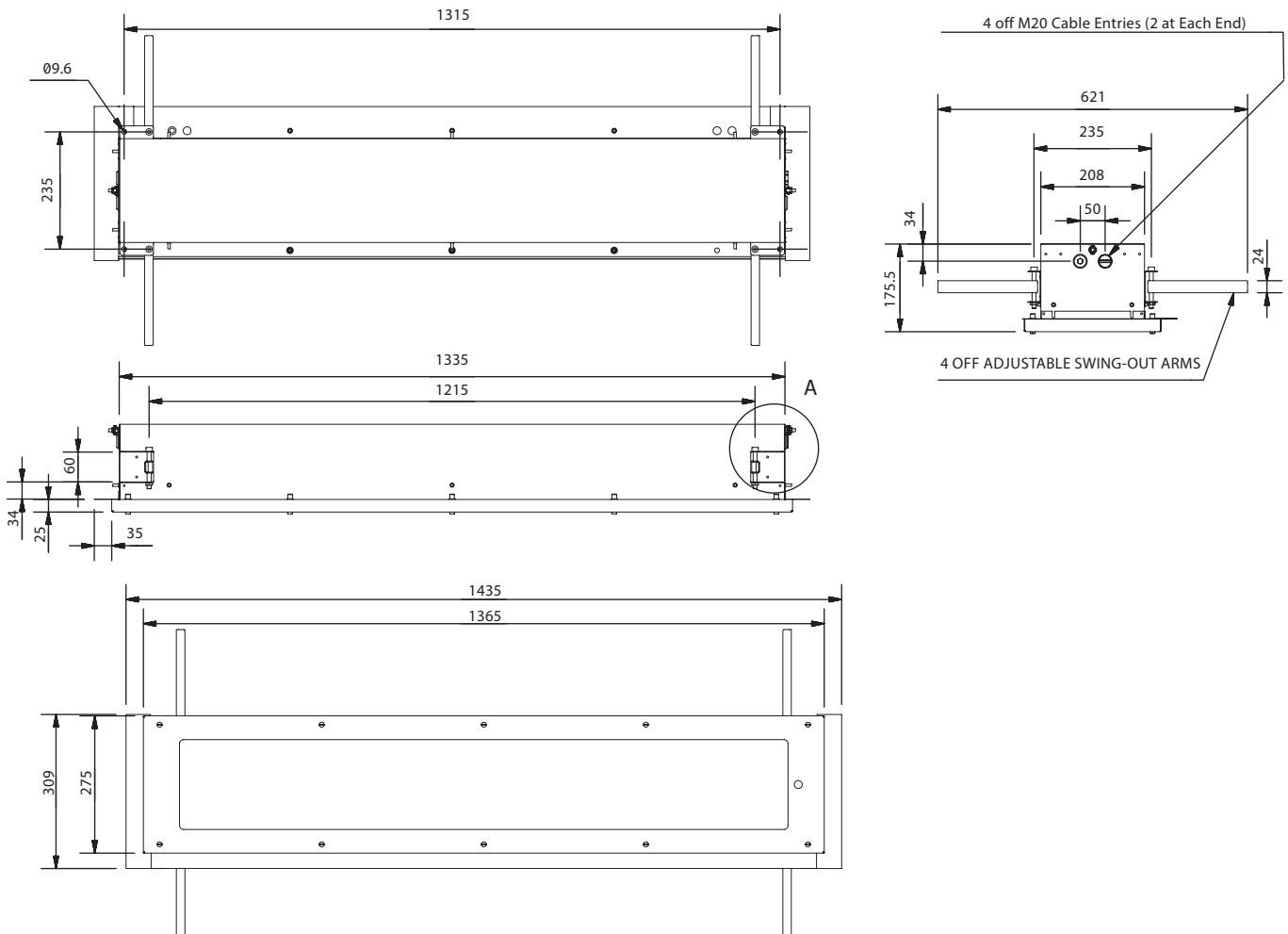
* insulated ambient range

Options - Suffix to Catalogue No.

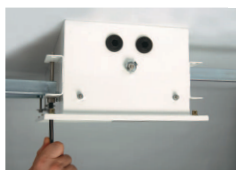
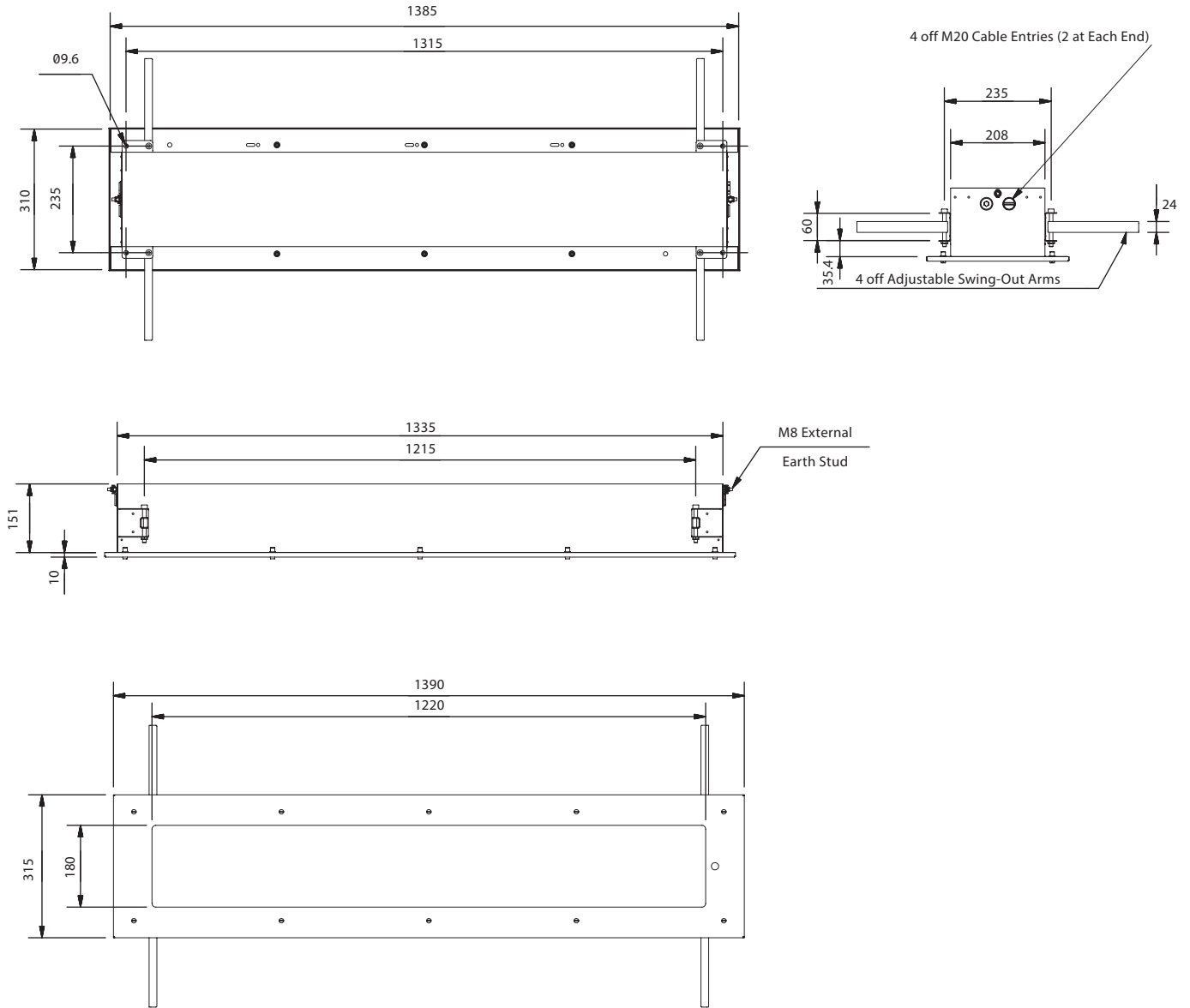
/PC	Solid plank ceiling (Painted frame colour RAL 9016G)	/120	Specific voltage (110-130V AC)
/3P	3 phase termination facility (not available if through wiring required)	/SSCS	Brushed stainless steel cover (M300 ceiling only)
/EL	Extra live termination facility (compatible with 4 core switched emergency circuits)	/SSC	Brushed stainless steel cover (Solid plank ceiling only)
/25	25mm cable entries	/3H	3 hour battery duration (15% output)
/SC	Screwed connection terminal block (up to 6mm ² conductors)	/6K	6000K (Cool Daylight) LED Strips
		/GIS	Geartray isolation switch (Gas coding becomes - Ex db eb mb op is q IIC)

Model	A	B	Skirt Length	Skirt Width	Cut Out Size
02L	750	720	820	309	800(L) x M300 Tile Width
04L	1365	1335	1435	309	1415(L) x M300 Tile Width

ACLE/04L/LE



ACLE/04L/LE/PC

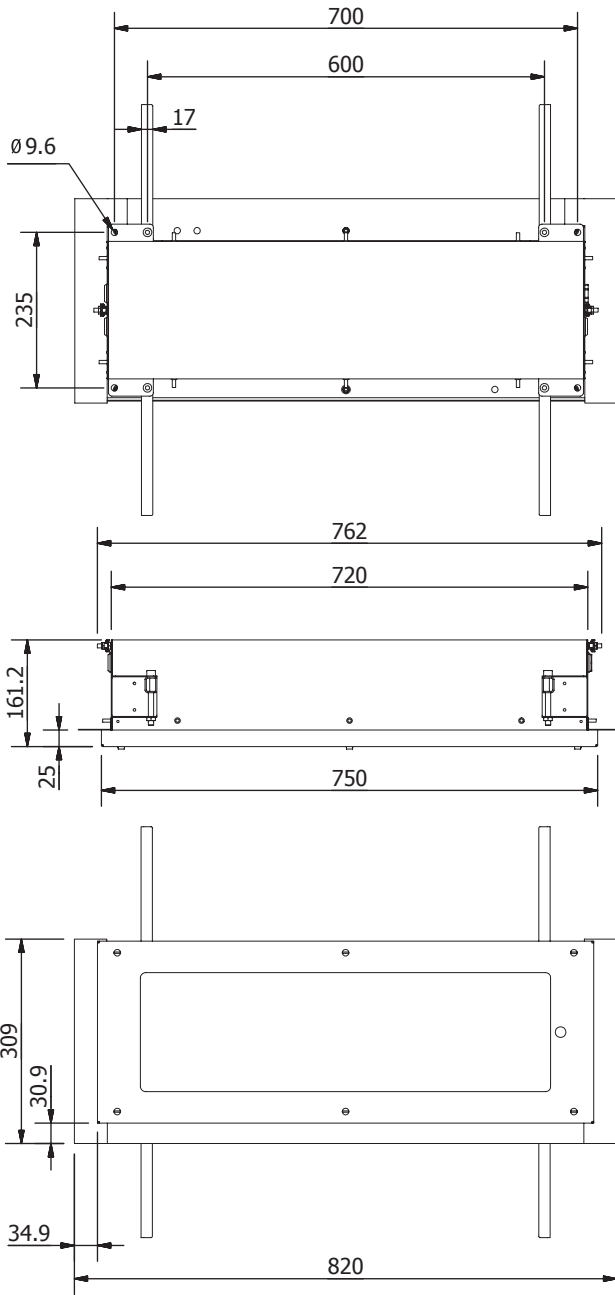


Adjust to ensure ceiling integrity

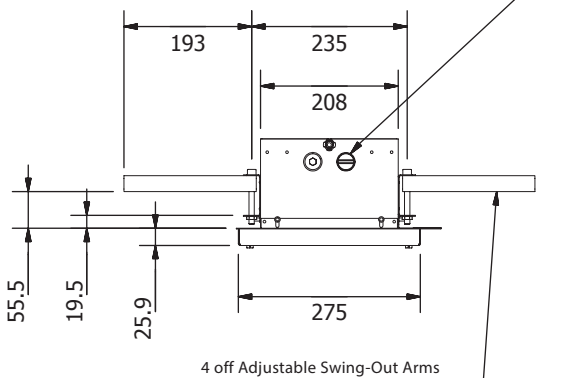


Single screw height adjustment

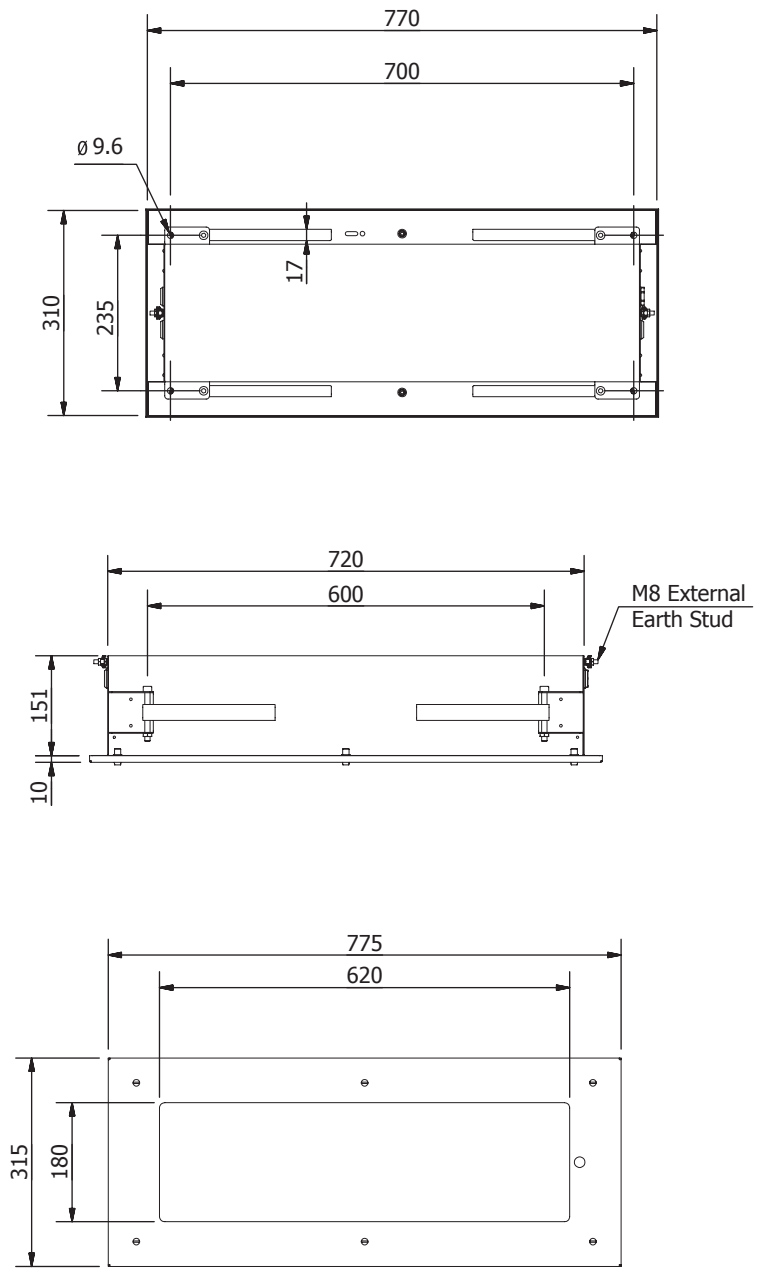
ACLE/02L/LE



4 off M20 Cable Entries (2 at Each End)



ACLE/02L/LE/PC



4 off M20 Cable Entries (2 at Each End)

